

1-030 Quick Release Fastener

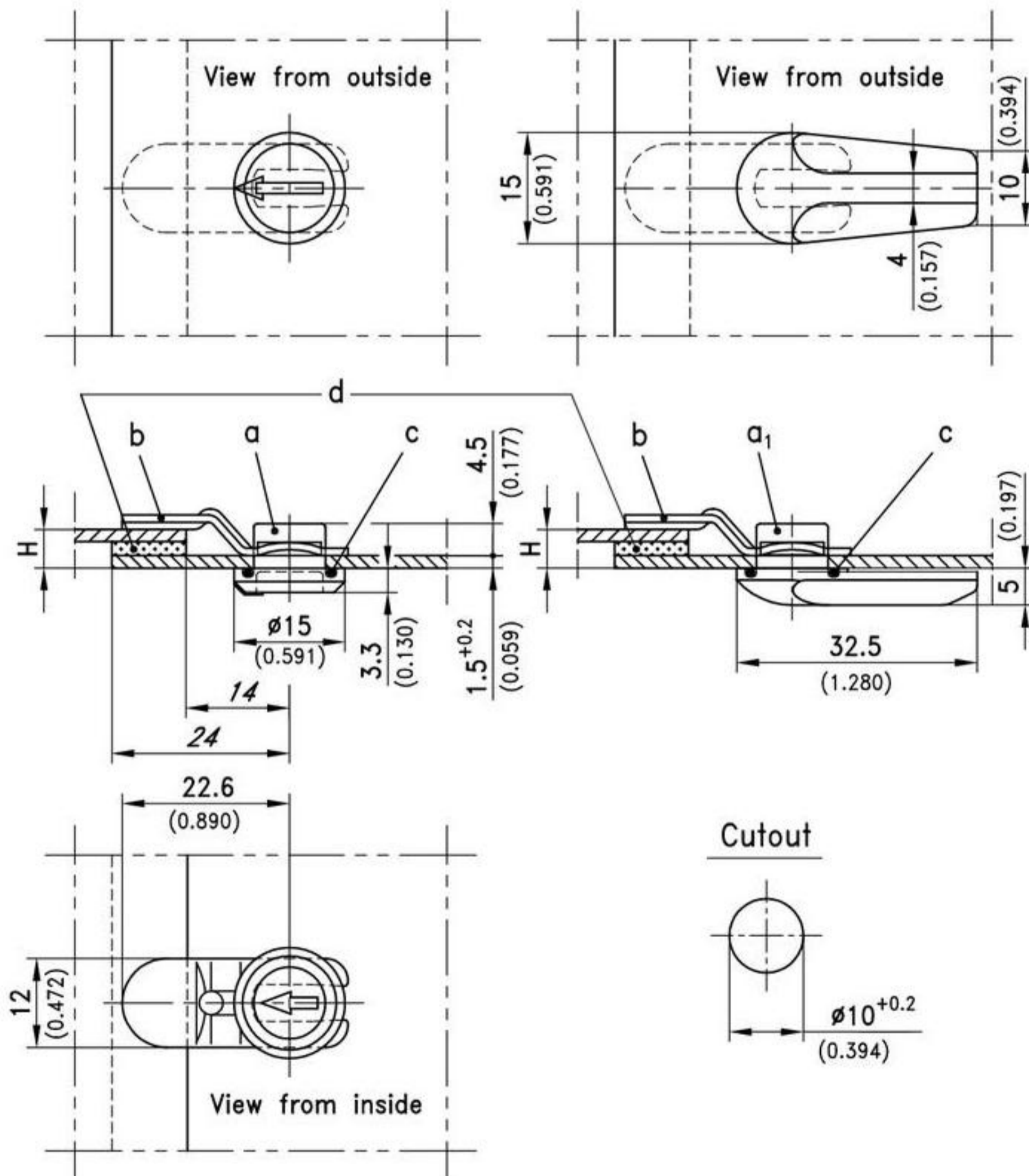


Quick release fastener for fastening side panels etc..

- The fastener consists of two basic components.
- By using the O-Ring the fastener is water- and dust-tight according to IP65.

Material:

- a)
 - **Stud:** PA black or grey RAL 7032 or Durethan BKV 30 N1 matt black
 - a1)
 - **Wing:** PA
 - b)
 - **Cam:** spring steel, zinc plated



Version	PA black	PA grey RAL 7032	Durethan BKV 30 N1 black matt
a) Stud	246-0103.03-00000	246-0103.06-07032	246-0103.50-00000
a1) Wing	246-0104.03-00000	246-0104.06-07032	
b)	H in mm / inch		
Cam	3.5 / 0.138	246-0202	246-0202
Cam	5 / 0.197	246-0204	246-0204
Please order separately:			
c) O-Ring	220-0601	220-0601	220-0601
d) Rectangular Gasket, see page	07.11	07.11	07.11