

7-250 Concealed Hinge Pr02 120°

stainless steel AISI 304, for nested door

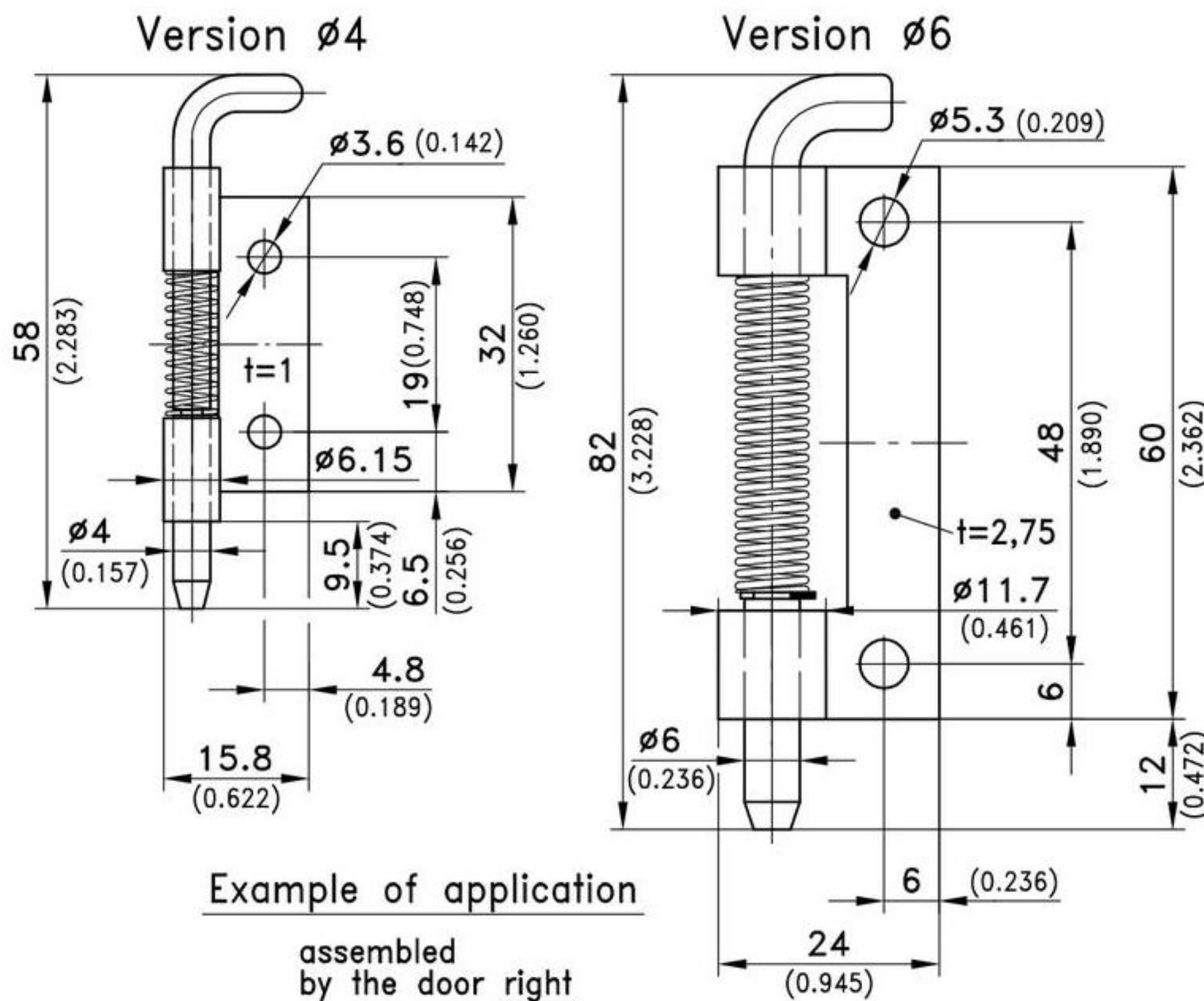


Hinge with springloaded pin, stainless steel version.

- Welded-on and screwed-on.

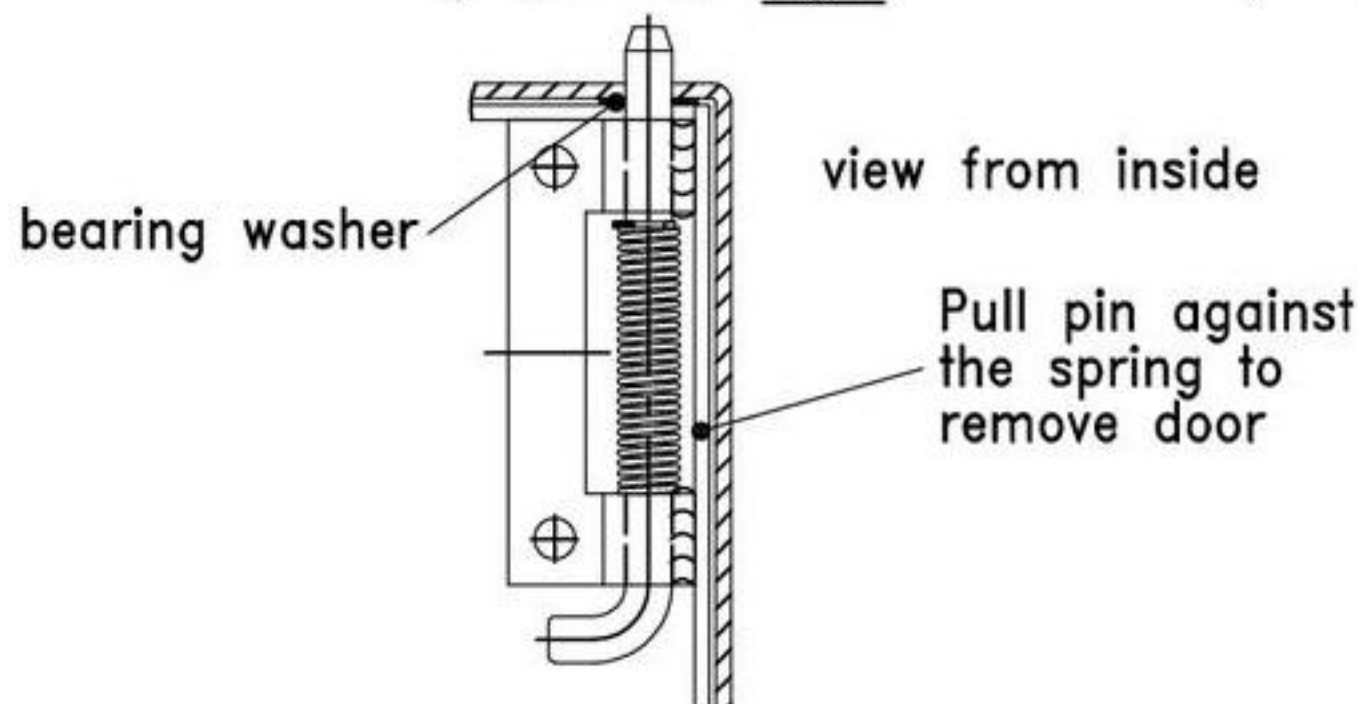
Material:

- Roll, pin and spring: stainless steel



Example of application

assembled by the door right



	Version Ø4	Version Ø6
loose parts (not assembled)	-	245-9112
Pre-assembled RH (as drawn)	245-9003	245-9110
Pre-assembled LH (mirror inverted)	245-9004	245-9111