

4-124 Concealed Hinge Pr03 120°

Door bending 25mm for surface mounted door

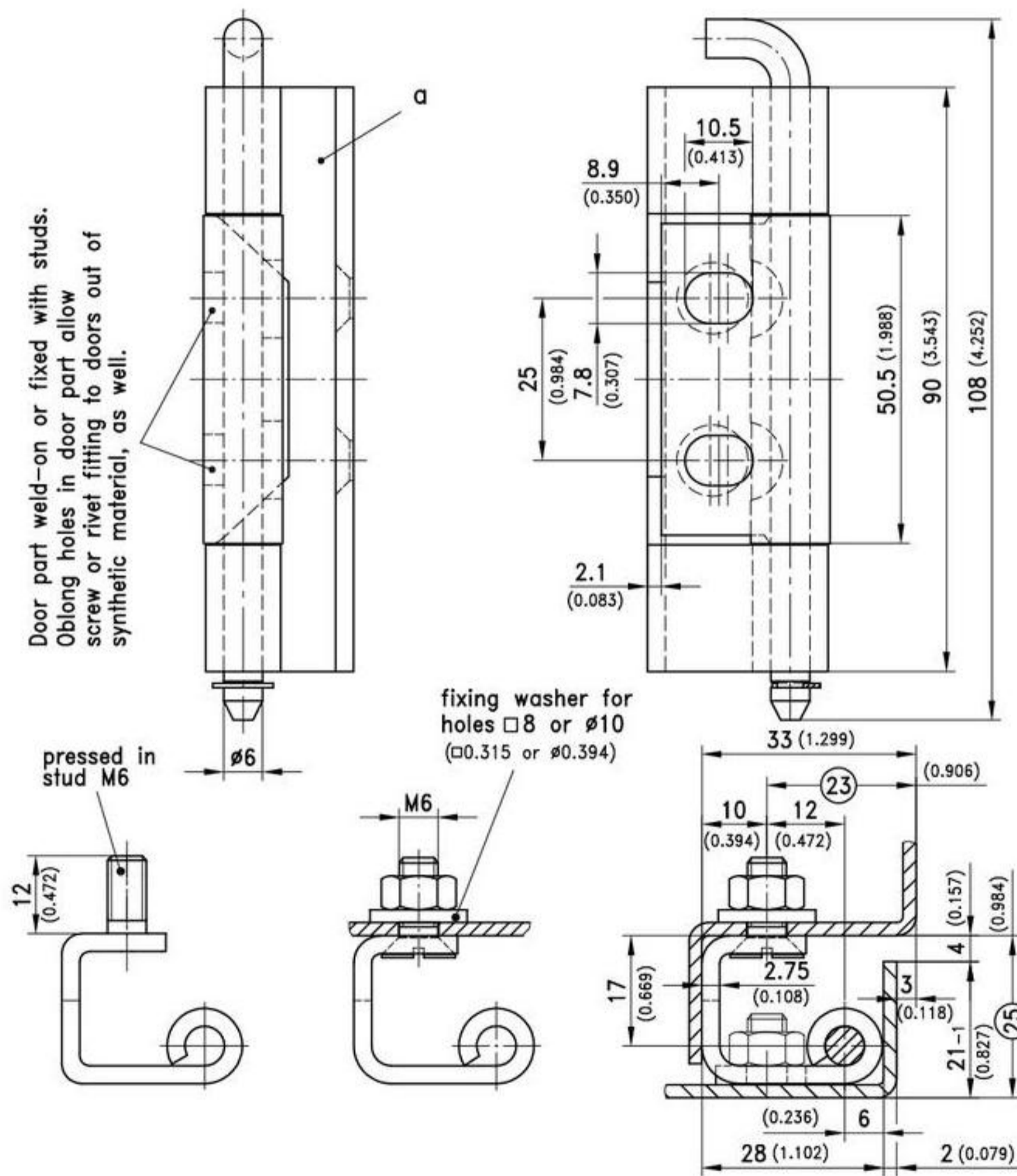


Concealed hinge for surface mounted doors, heavy duty version.

- For application with Rod-Latch system see page 04.30.
- RH or LH application.
- The opening angle is 120°.

Material:

- a), a1) and a2)
- **Frame part:** steel, zinc plated
- **Door part:** steel, not plated
- **Pins:** steel, zinc plated add. by a1)
- **Fastening washer:** steel, zinc plated b), b1) and b2)
- **all parts** steel, zinc plated



		Part No.		
Door part steel, untreated, weld-on	Frame holes	Pin standard	Pin with groove	see page
a) Frame part countersunk for M6	Ø6.3 or M6	243-9103	243-9104	
a1) as a), but with fastening washer	□8 or Ø10	243-9101	243-9102	
a2) as a) and a1), but with pressed in stud M6 and fastening washer if necessary	Ø6,3,□8, Ø10	243-9109	243-9110	
Door part steel, zinc plated, screw-on				
b) with countersunk for M6	Ø6.3 or M6	243-9107	243-9108	
b1) Frame part as b), but with fastening washer	□8 or Ø10	243-9105	243-9106	
b2) as b) and b1) but with pressed in stud M6 and fastening washer if necessary.	Ø6,3,□8, Ø10	243-9111	243-9112	
Stainless steel version				10.59
Countersunk machine screws and nuts				09.5

4-124SL Concealed Hinge Pr03 SNAP-LINE 130°

Door bending 25mm, Surface mounted door

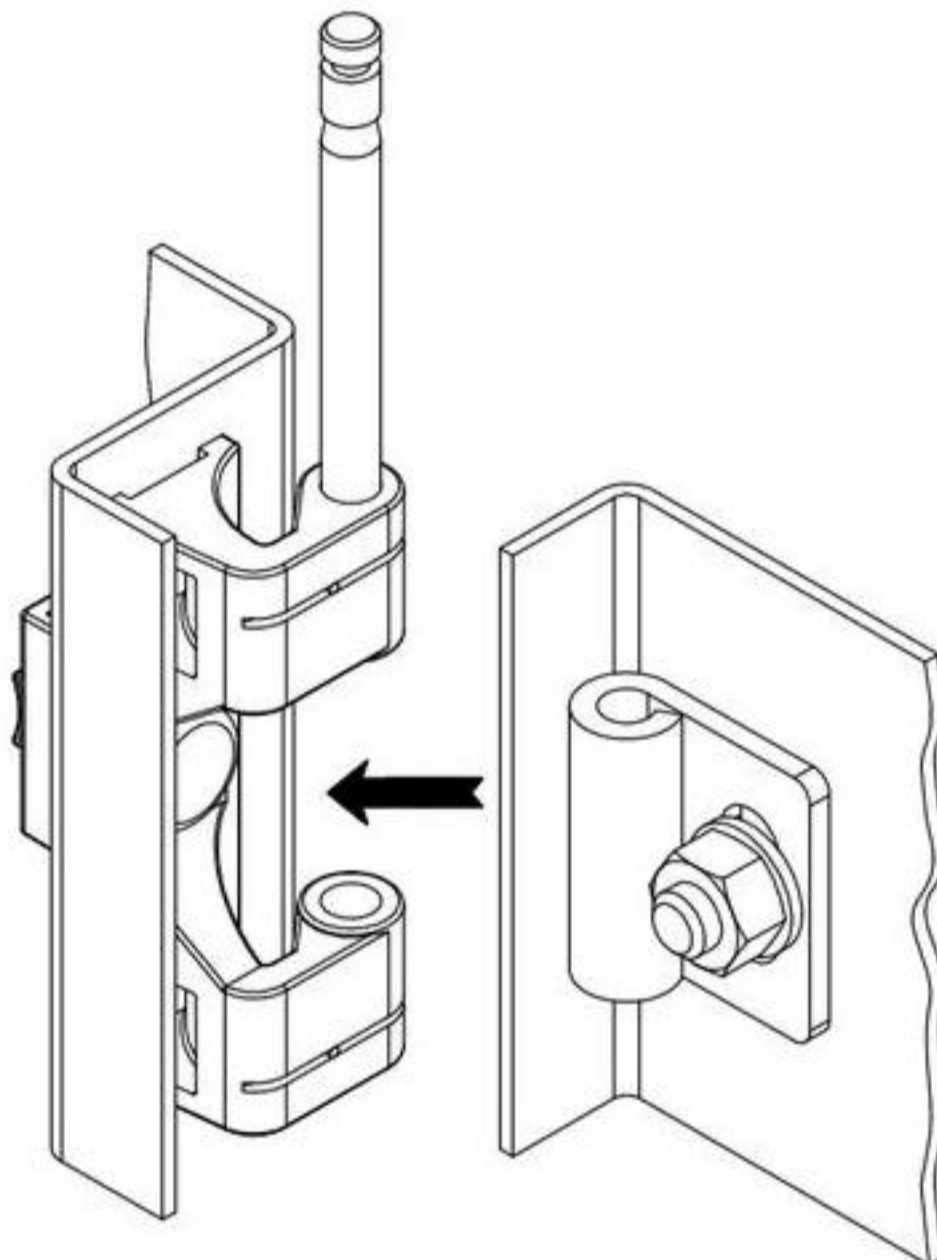
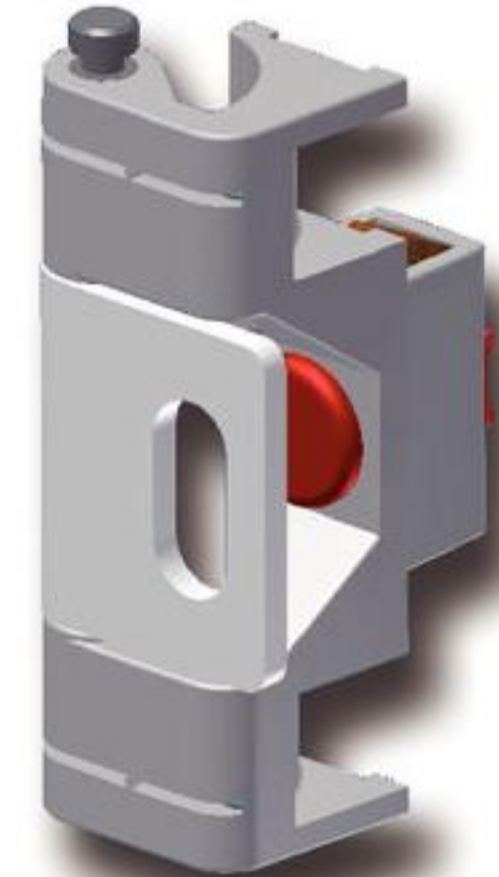


130° Hinge SNAP-LINE, concealed, for H.D. Applications.

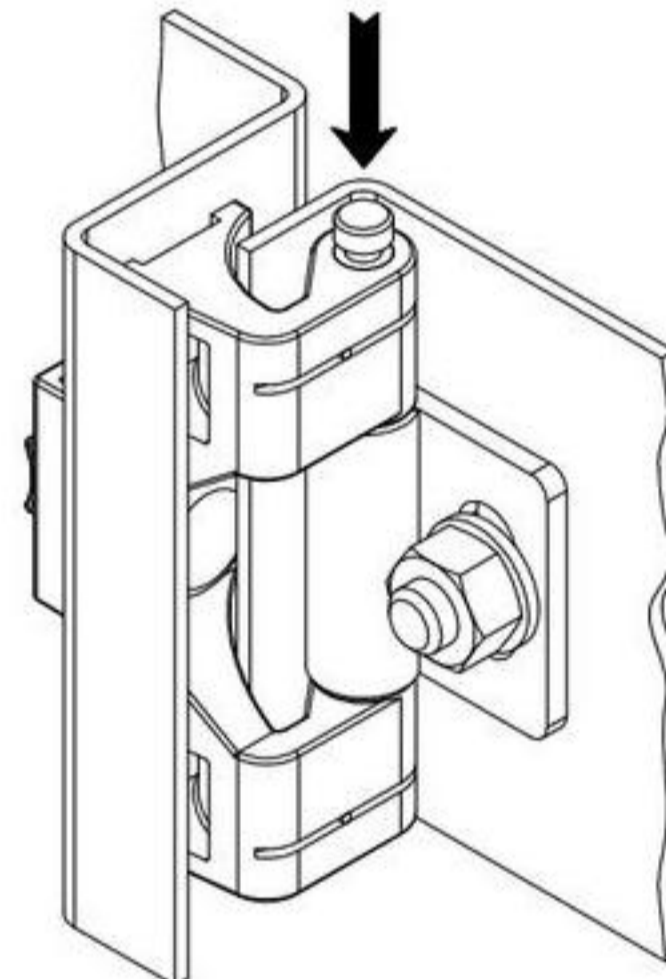
- RH or LH application.
- By pulling the pin upwards (or downwards), the door-part of the hinge is released and the door can be removed.
- Once fitted, the pin is captive.
- The pin is supplied as loose part and can be fitted from the top or upside-down.
- Installation by a simple push into the cutout.
- The O-Ring for IP65 DIN EN 60529 is included.
- The oblong hole in the door-part allows vertical adjustment.
- Stainless steel version see page 01.112 and 01.113.

Material:

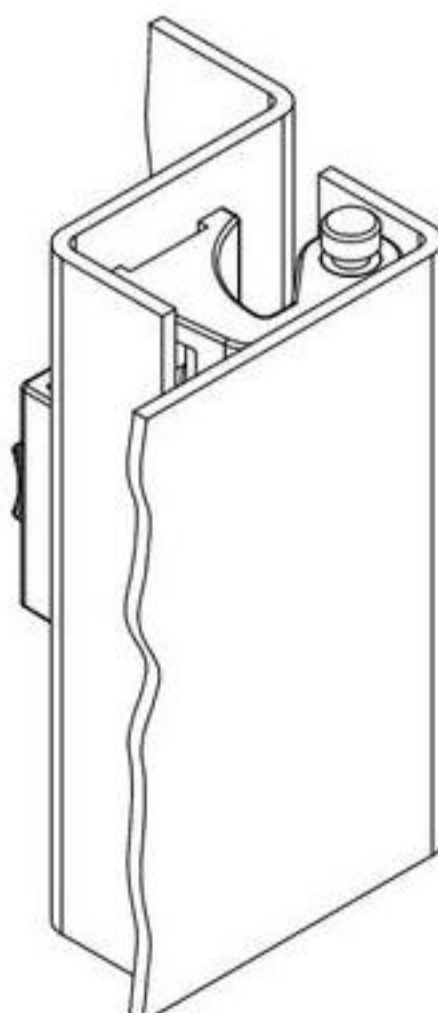
- **Frame part:** zinc die, natural
- **door part:** steel, zinc plated
- **Pin:** steel, zinc plated
- **Snap wedges:** sintered metal, plated
- **O-Ring:** NBR



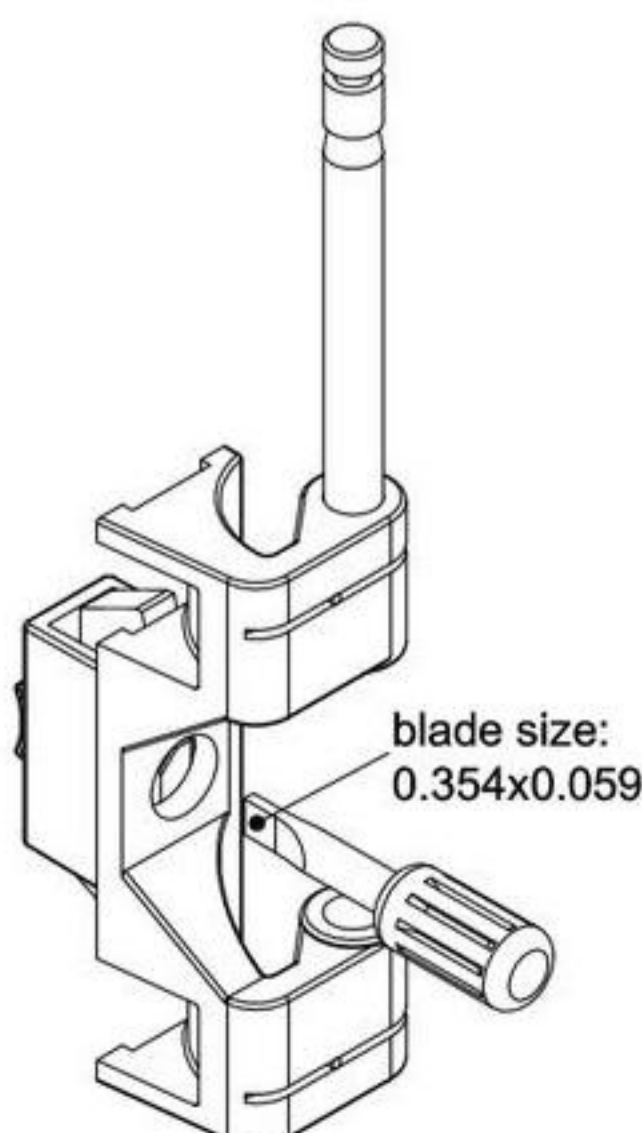
The pin latches in captive position. Insert the door to the hinge.



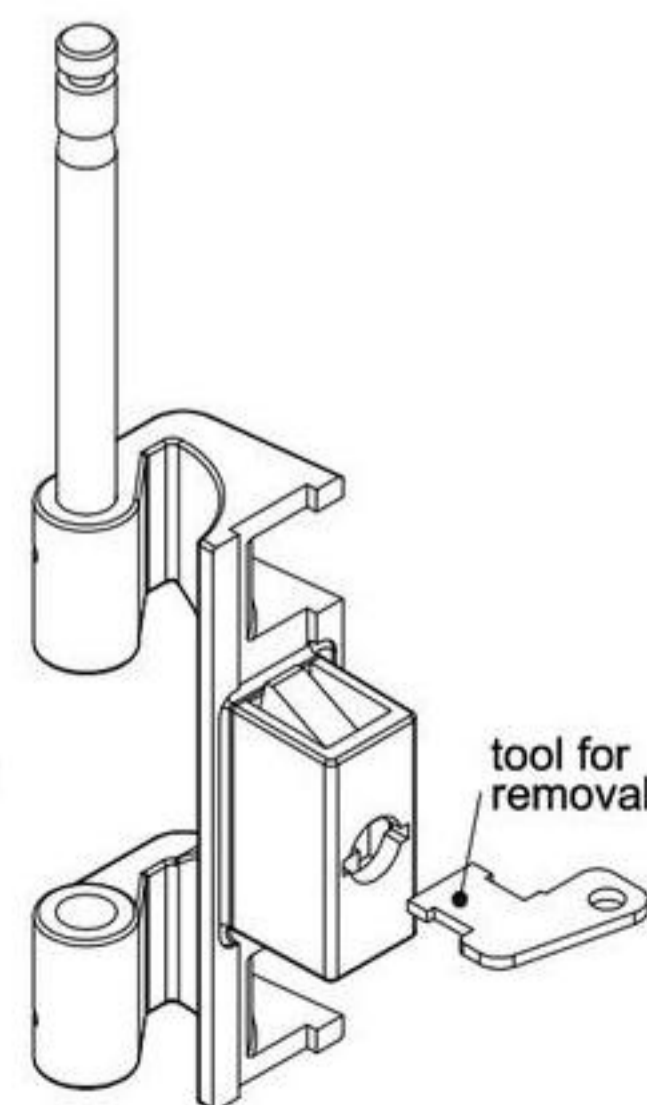
Insert the pin when mounting the door. The pin latches in the end position.



Assembled and door closed.



release from the front



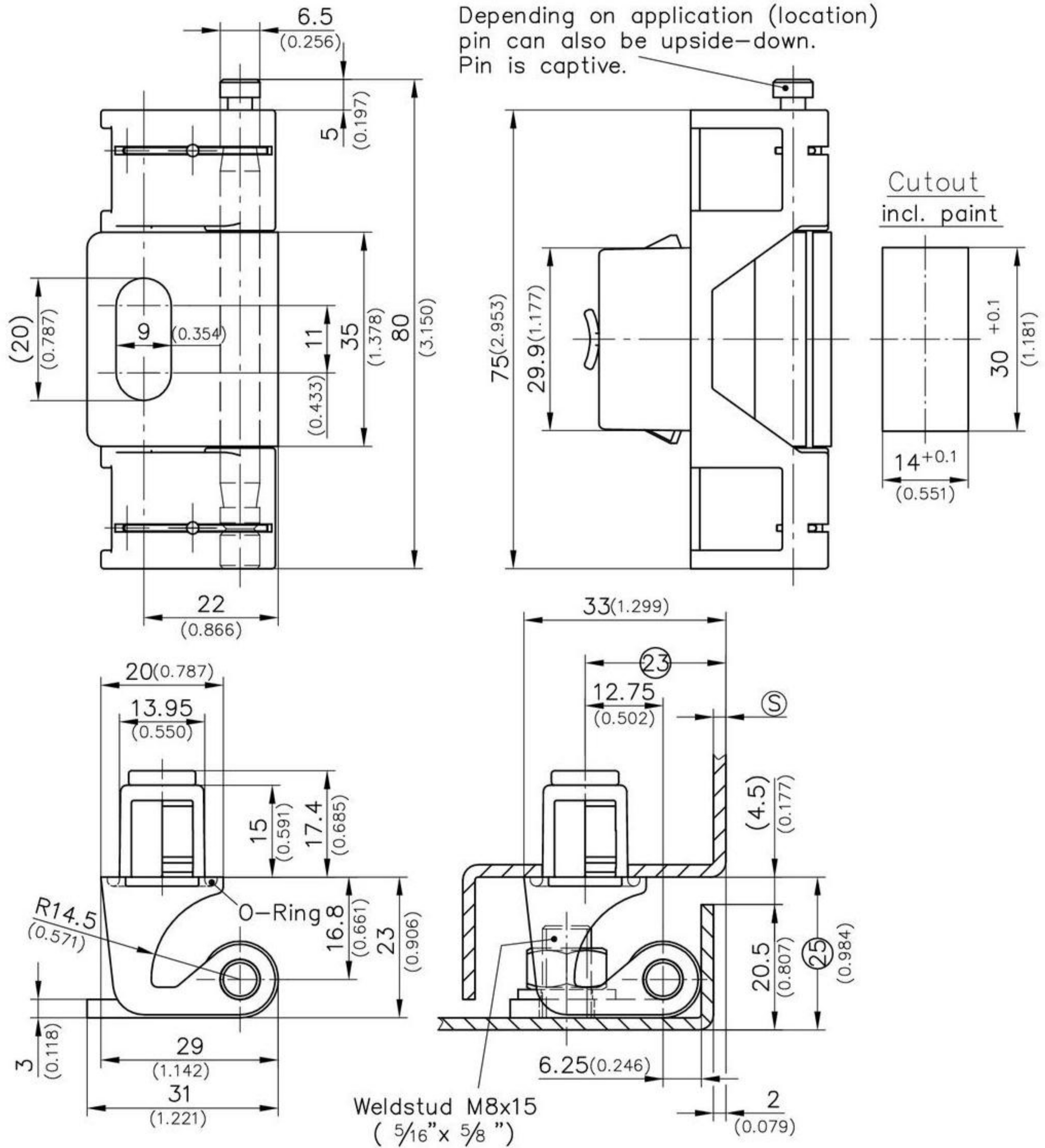
release from the rear

blade size:
0.354x0.059

tool for removal

4-124SL Concealed Hinge Pr03 SNAP-LINE 130°

Door bending 25mm, Surface mounted door



	clamping range ©	Part No.	see page
Concealed Hinge, snap-in	1,2 - 1,7	443-9001.00-00015	
	1,7 - 2,2	443-9001.00-00020	
	2,2 - 2,7	443-9001.00-00025	
	2,7 - 3,2	443-9001.00-00030	
	3,0 - 3,5	443-9001.00-00033	
Cover for cutout 30x14		292-0402.00-03014	01.106
Reinforcement plate for thin-walled sheets and for higher loads:		292-0701.15-01530	01.108
Tool for uninstallation		292-0306.80-02530	01.109
or		292-0301.15-00000	01.109