

4-125 Concealed Hinge Pr03 120°

Door bending 25mm for surface mounted door

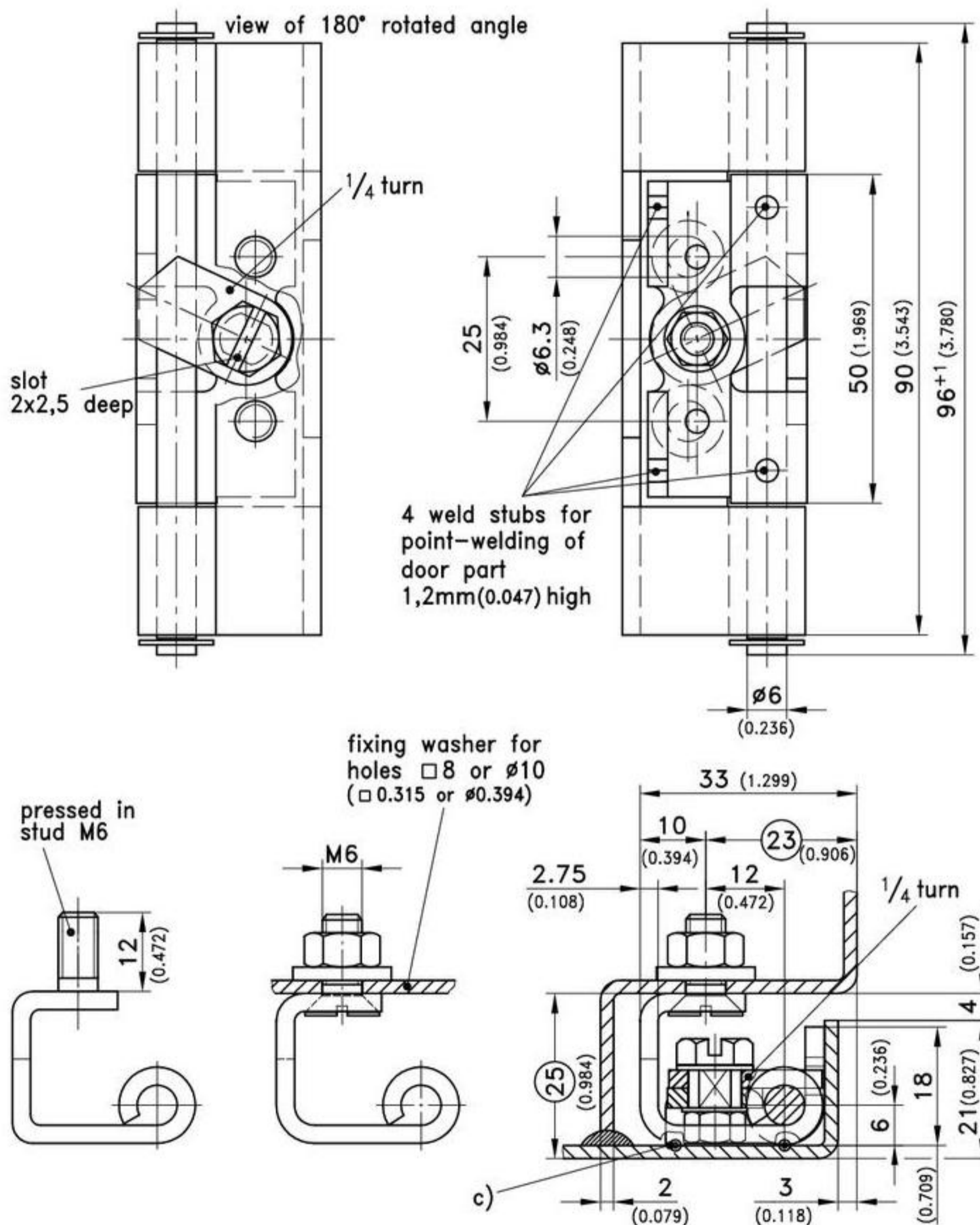


120° concealed hinge

- RH or LH application.
- By rotating the 1/4 turn, the pivot pin is released and the door can be removed by pulling it to the front.
- To a2): fastening washer is not used when $\varnothing 6.3$.

Material:

- a), a1) and a2)
- **All parts:** steel, zinc plated
- b), b1) and b2)
- **Door part and 1/4 turn:** zinc die, zinc plated
- **Frame part:** steel, zinc plated



Version with WELD-on door part	Frame holes	Part No.	see page
a) Frame part countersunk for M6	$\varnothing 6.3$ or M6	243-9003	
a1) as a), but with fastening washer	$\square 8$ or $\varnothing 10$	243-9002	
a2) as a) and a1), but with pressed in stud M6 and fastening washer if necessary	$\varnothing 6,3, \square 8, \varnothing 10$	243-9007	
b) Version with SCREW-on door part			06.55
Frame part countersunk for M6	$\varnothing 6.3$ or M6	243-9009	
b1) as b), but with fastening washer	$\square 8$ or $\varnothing 10$	243-9010	
b2) as b) and b1), but with pressed in stud M6 and fastening washer if necessary	$\varnothing 6,3, \square 8, \varnothing 10$	243-9011	
c) 1/4 turn			06.55
Stainless steel version			10.60
Countersunk machine screws and nuts			09.5

4-125SL Concealed Hinge Pr03 SNAP-LINE 130°

Bending 25mm for surface mounted door,

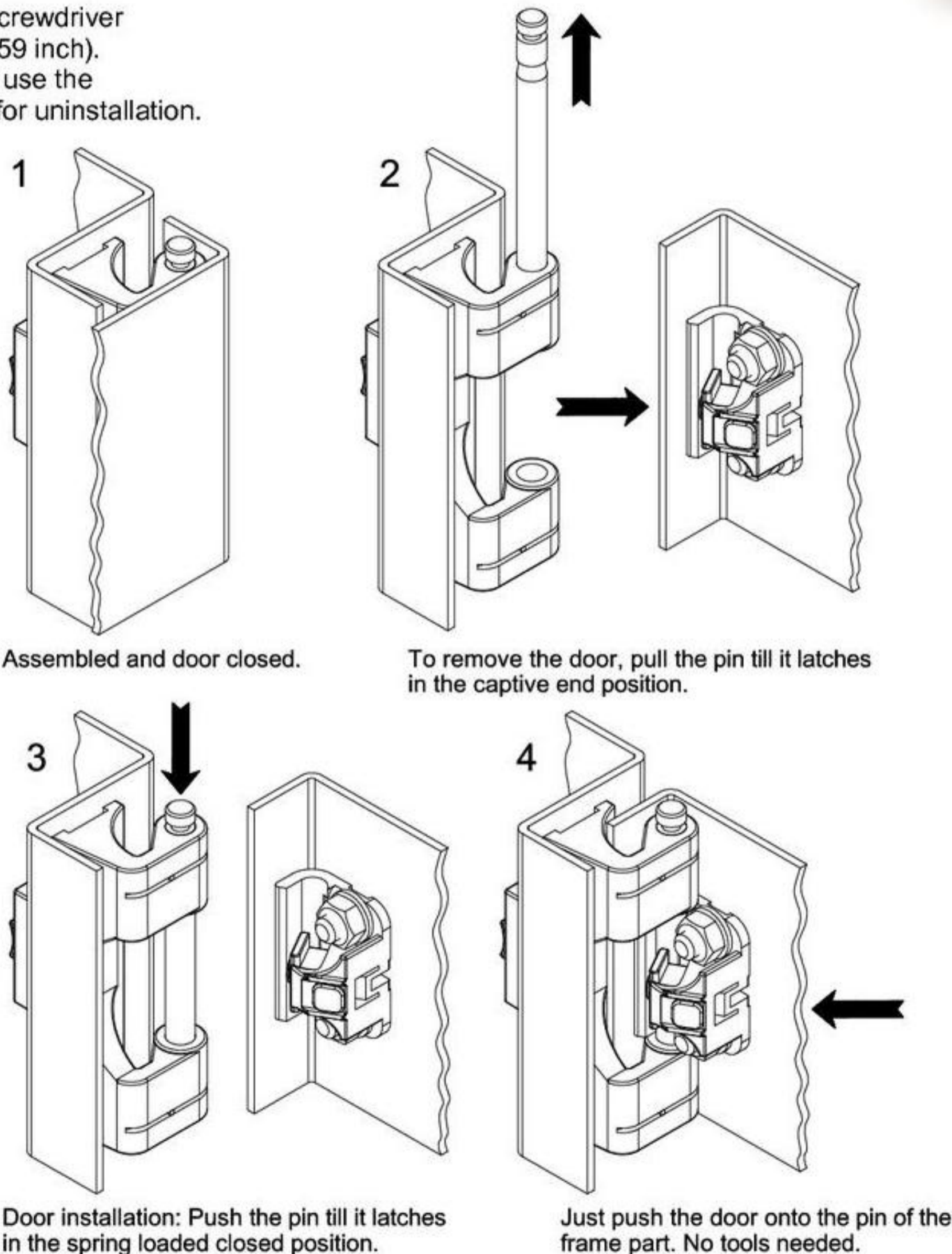


130° Hinge SNAP-LINE, concealed, for H.D. applications.

- RH or LH application.
- By pulling the pin upwards (or downwards), the door-part of the hinge is released and the door can be removed.
- No tools needed. Just push the door onto the pin of the frame part.
- Once fitted, the pin is captive.
- The pin is supplied as loose part and can be fitted from the top or upside-down.
- The frame-part is installed by a simple push into the cutout.
- The O-Ring for IP65 DIN EN 60529 is included.
- Front release with a screwdriver (blade size 0.354x0.059 inch). Release from behind: use the standard DIRAK tool for uninstallation.

Material:

- **Frame part:** zinc die, natural
- **Door part and slider:** zinc die, zinc plated
- **Pin:** steel, zinc plated
- **Snap wedges:** sintered metal, plated
- **O-Ring:** NBR



	clamping range ©	Part No.	see page
Concealed Hinge, snap-in	1,2 - 1,7	443-9101.00-00015	
	1,7 - 2,2	443-9101.00-00020	
	2,2 - 2,7	443-9101.00-00025	
	2,7 - 3,2	443-9101.00-00030	
Cover for cutout 30x14		292-0402.00-03014	01.106
Reinforcement plate for thin-walled sheets and for higher loads:		292-0701.15-01530	01.108
Tool for uninstallation		292-0306.80-02530	01.109
or		292-0301.15-00000	01.109

4-125SL Concealed Hinge Pr03 SNAP-LINE 130°

Bending 25mm for surface mounted door,

Depending on application (location) pin can also be upside-down. Pin is captive.

