

## 4-284 Hinge Pr04 180°

Lift-off, for surface mounted door



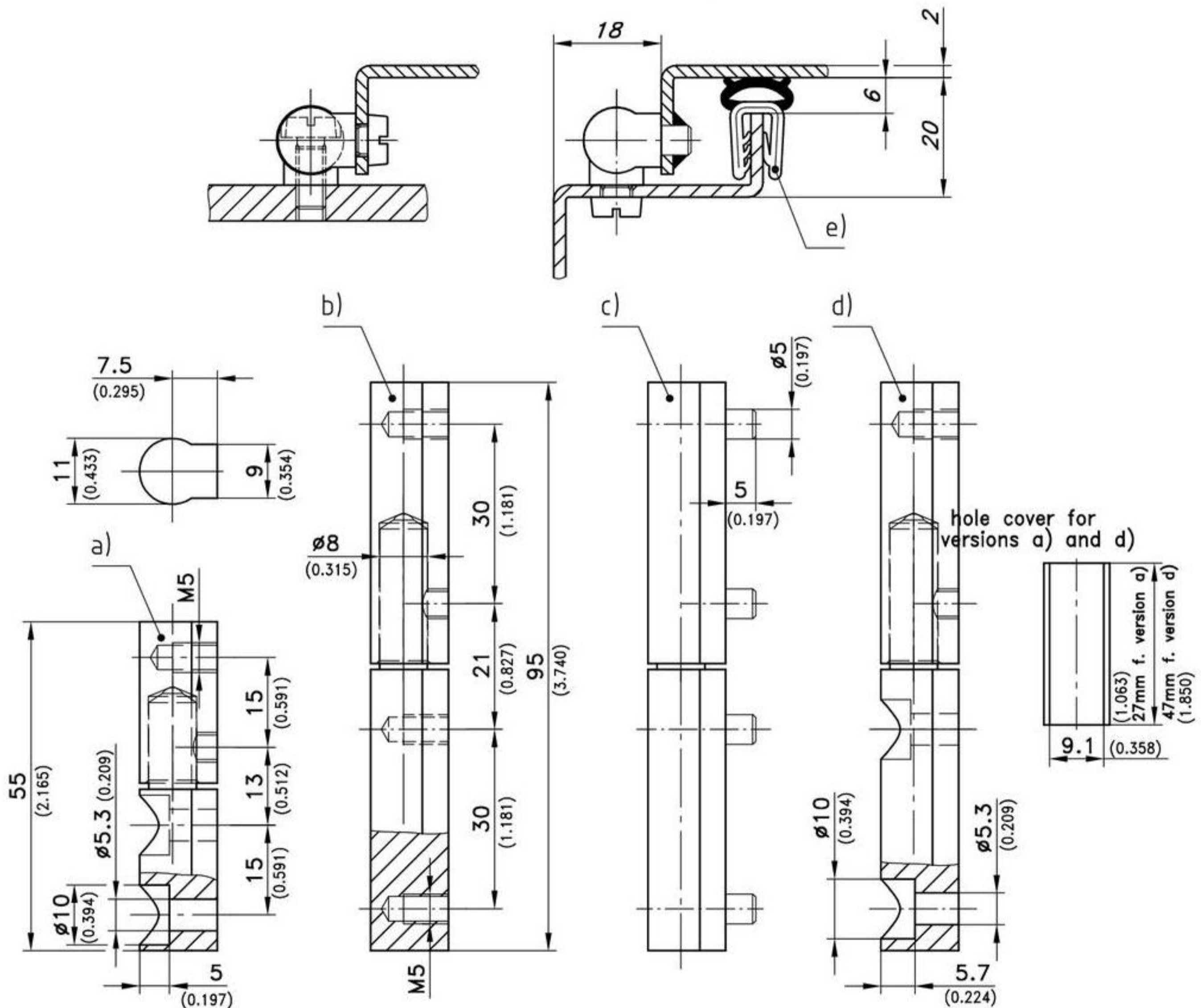
180° Profile-hinge, screw-on or weld-on. **Material:**

- Door is lift-off.
  - We only show the 4 most common versions.
  - Other versions on request.
  - Opening angle 180°.
  - **Attention:** The covers for version 1 and 4 have extremely sharp edges.
- Injury Risk!**

- **Hinge Parts:**  
steel, zinc plated
- **Covers:**  
stainless steel AISI 304



### Examples of application



Version	Description	Part No.	see page
a)	Length 55/2.165 with M5 thread in female part and holes 5.3/0.209 in male part, supplied with 2 stainless steel hole covers	242-9001	
b)	Length 95/3.740 threaded M5	242-9101	
c)	Length 95/3.740 with weld-on stubs	242-9102	
d)	Length 95/3.740 with M5 thread in female part and holes 5.3/0.209 in male part, supplied with 2 stainless steel hole covers	242-9103	
e)	e.g. Clip-on profile	209-0201	07.19