

## 4-390 Concealed Hinge Pr02 110°

Lift-off, for nested door

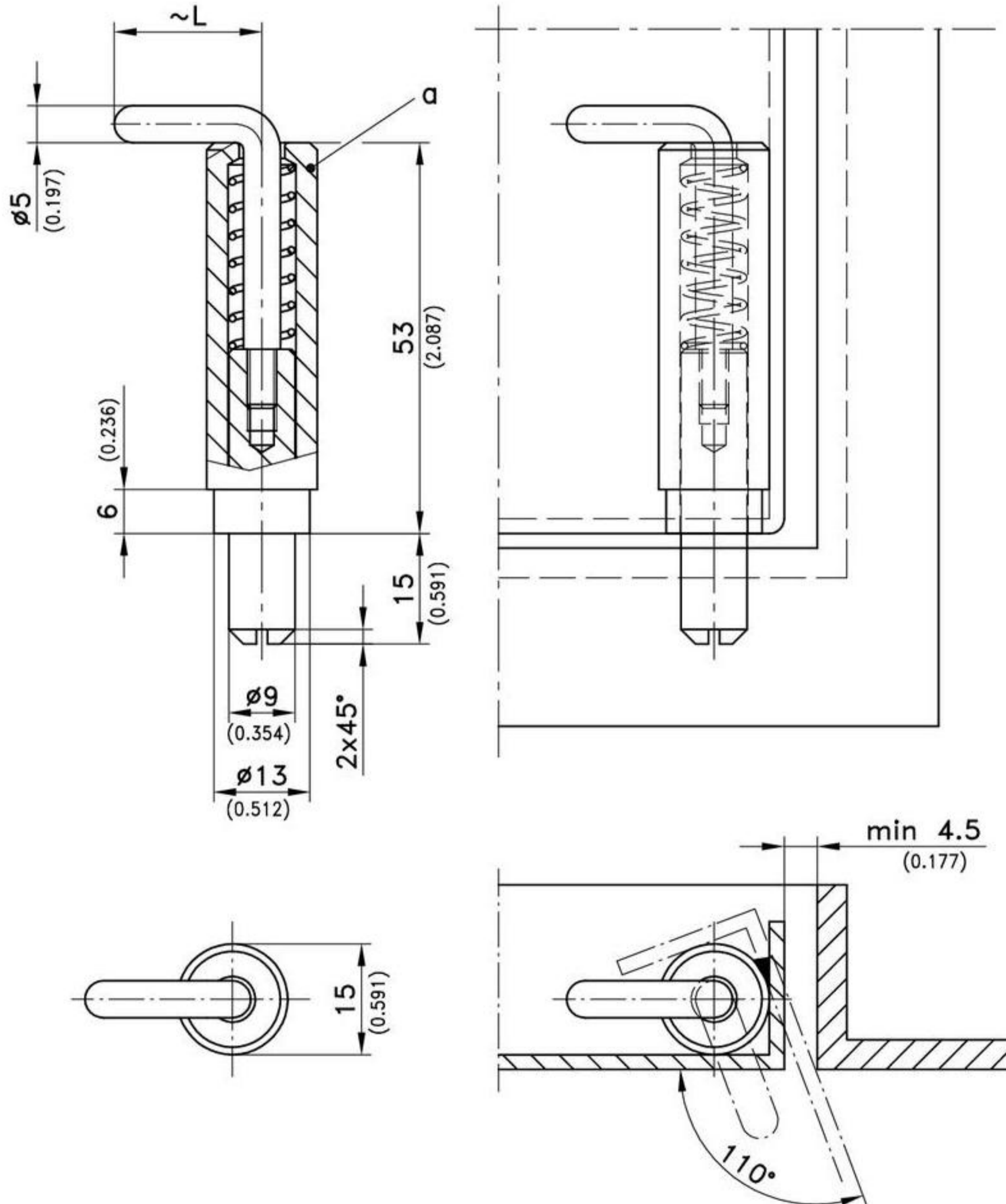


110° Weld-on hinge for RH and LH applications.

- The barrel (steel, not plated) is welded-in.
- After the painting process, the slotted pivot pin, hooked pin and spring have to be assembled.
- Opening angle 110°.

**Material:**

- **Bezel:** steel, untreated
- **Pin with slot:** steel, zinc plated
- **Hook pin:** steel, zinc plated
- **Spring:** spring steel, zinc plated



- a) Weld-on hinge L=20
- a1) Weld-on hinge L=35

Stainless steel version on request

Part No.  
 241-9001  
 241-9002