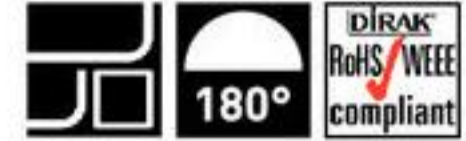


4-370 Hinge Pr04 180°

for surface mounted door



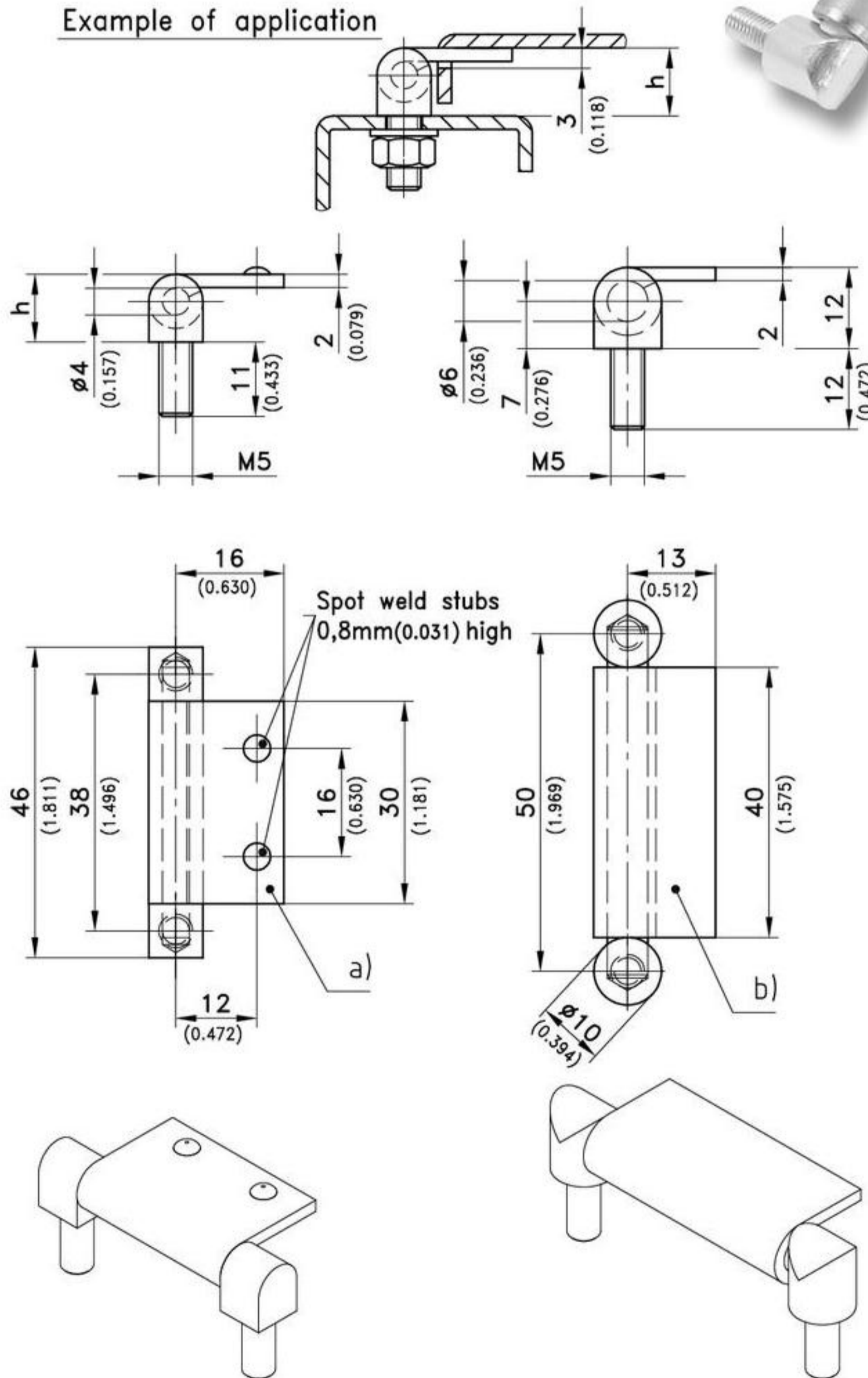
Hinge to be welded in door slot.

Material:

- **Hinge flap:**
steel, not plated
- **Pin and frame parts:**
steel, zinc plated



Example of application



	H in mm	Part No.
a) Hinge	10	240-9201
	12	240-9202
b) Hinge	12	240-9002