

2-400 Rod-Latch (bolt type) RS

with Internal Release, for Swinghandles

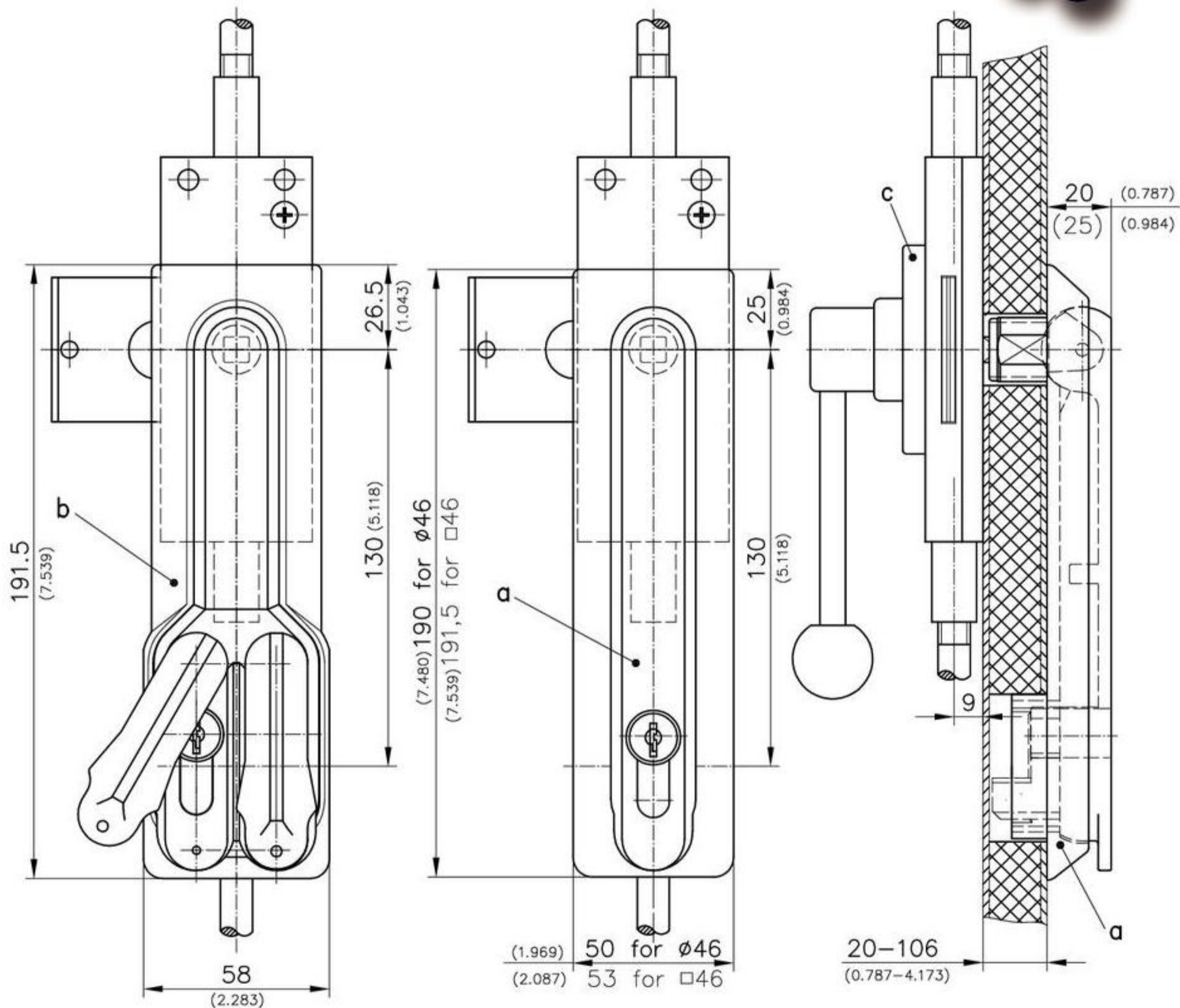
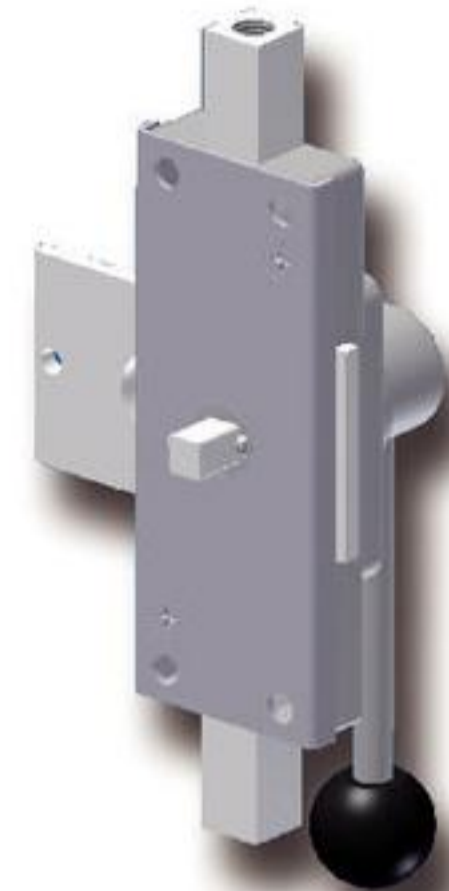


Rod-Latch for swinghandles and dual cylinder swinghandles with internal release.

- Door can be released from inside at any swinghandle position.
- Door-thicknesses from 20 to 106mm.
- With 90° stroke.

Material:

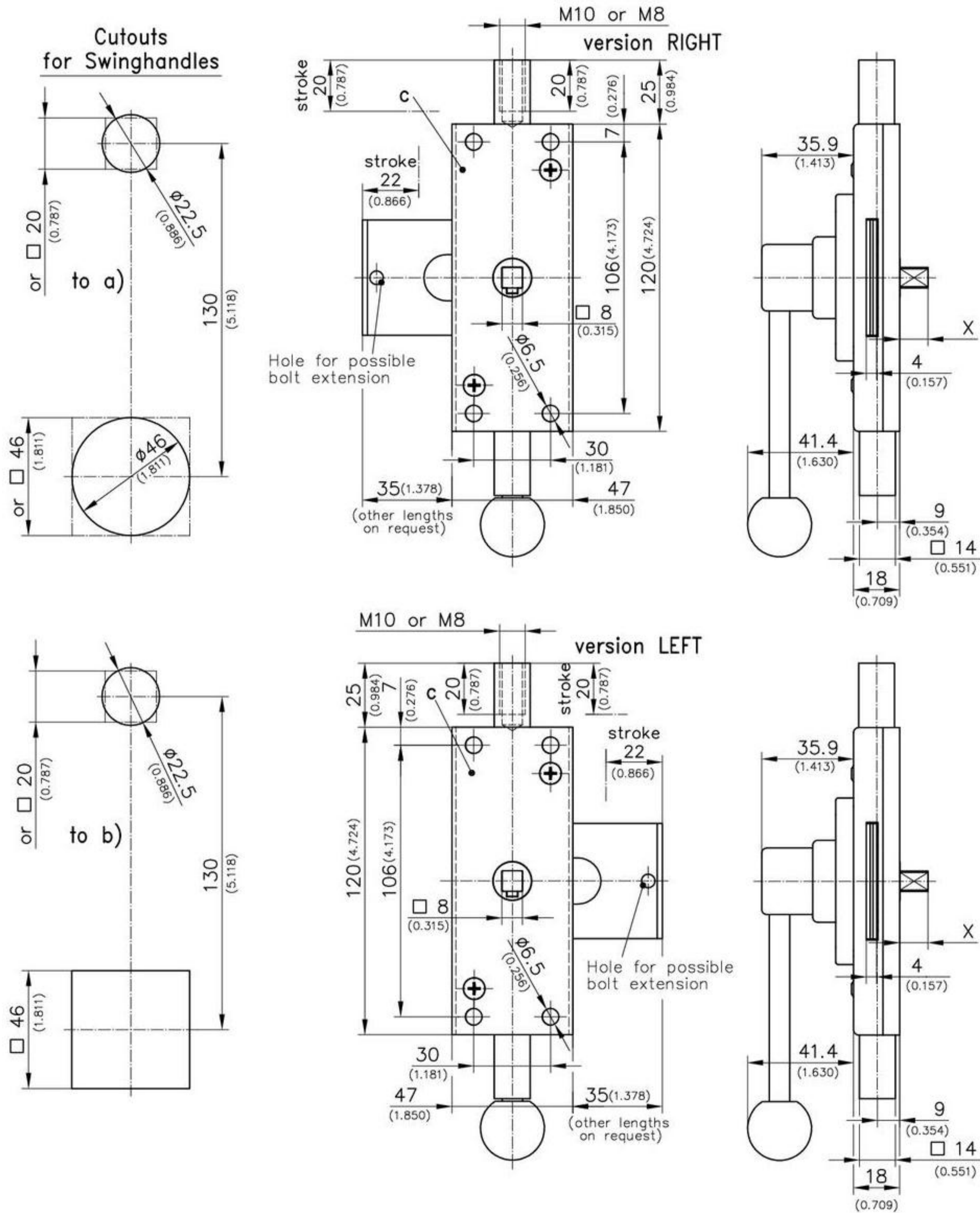
- a) to a3)
- **Swinghandle:**
PA, black or zinc die, black
- **Dish:**
PA, black
- b)
- **Swinghandle and dish:**
zinc die, black
- c)
- **Rod-Latch:**
zinc die / steel, zinc plated



| Swinghandle for Rod-Latch | Cutout 130/ $\varnothing 46$ | Cutout 130/ $\square 46$ | see page |
|---|---------------------------------|-----------------------------|----------|
| a) Swinghandle for Rod-Latch, PA (black) for Profile Cylinder 40mm long | 207-9052 | 207-9315 | |
| a1) as a), but with cylinder dustcover | 207-9053 | 207-9316 | |
| a2) as a1), but 5mm raised for profile cylinder 45mm long | 207-9054 | 207-9317 | |
| a3) as a2), but handle, zinc die (black), dish, PA black | 207-9055 | 207-9318 | |
| b) Dual Cylinder Swinghandle for Rod-Latch, zinc die | - | 207-9416 | |
| | - | | |

2-400 Rod-Latch (bolt type) RS

with Internal Release, for Swinghandles



c) Rod-Latch with knob for internal release

| Door-thickness | rod connection threaded M10 | | rod connection threaded M8 | |
|-------------------------|-----------------------------|--------------|----------------------------|--------------|
| | version right | version left | version right | version left |
| 20 - 26 (0.787-1.024) | 238-9101 | 238-9102 | 238-9301 | 238-9302 |
| 27 - 33 (1.063-1.299) | 238-9103 | 238-9104 | 238-9303 | 238-9304 |
| 34 - 40 (1.339-1.575) | 238-9105 | 238-9106 | 238-9305 | 238-9306 |
| 70 - 76 (2.756-2.992) | 238-9107 | 238-9108 | 238-9307 | 238-9308 |
| 100 - 106 (3.937-4.173) | 238-9109 | 238-9110 | 238-9309 | 238-9310 |

*For non-listed door thickness < 100mm/ 3.937: Shorten square shaft

Formula: dimension „X“ = door thickness - 10mm / 0.394