



## 6-115 Polyamide Lock Cover

Polyamide

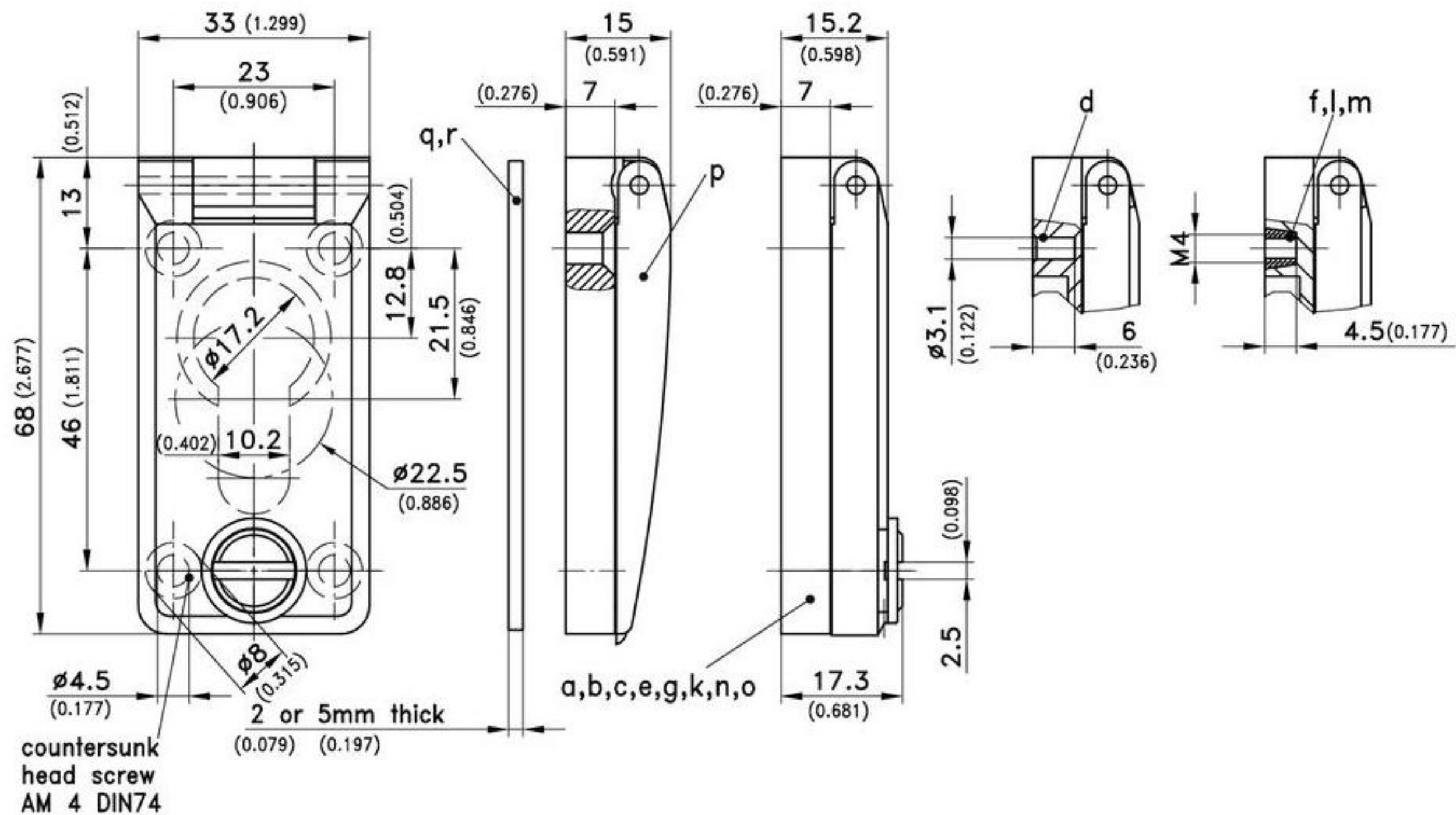
Polyamide lock cover for Profile Cylinders and round Quarter-Turns.

- Opening angle 180°.
- Cover is locked by small Quarter-Turn or Quarter-Turn part plus bolt.
- The polyamide lock covers g), o) and p) with springloaded covers have an opening angle of 170°.
- Other versions and colors on request.

### Material:

- **Lower part, cover and small Quarter Turn:**  
PA, grey or white RAL 7032, RAL 7035 oder RAL 9003  
a) to d)
- **Shaft:**  
stainless steel AISI 304

- k)
  - **Shaft:**  
steel, zinc plated  
g), o) and p)
  - **Spring:**  
stainless steel AISI 304
  - **Shaft:**  
stainless steel AISI 304  
e), f), l), m) and n)
  - **Quarter-Turn part and bolt:**  
brass, nickel plated
  - **Shaft:**  
steel, zinc plated  
q), q1), q2) and r)
  - **Spacer:**  
PA, grey or white RAL 7032, RAL 7035 or RAL 9003



Version	fastening method	color	Part No.
a) for Profile Cylinder	with countersunk holes	grey RAL 7032	237-9001
b) as a) but	with countersunk holes	light grey RAL 7035	237-9051
c) as a) but	with countersunk holes	signal white RAL 9003	237-9031*
d) as c) but	with blind holes Ø3,1	signal white RAL 9003	237-8031*
e) as a) but sealable	with countersunk holes	grey RAL 7032	237-9101
f) as e) but sealable	with bushings M4	grey RAL 7032	237-9103
g) as a) but cover springloaded	with countersunk holes	grey RAL 7032	237-8002
p) SOFTLINE cover spring loaded	with countersunk holes	grey RAL 7032	237-9304
k) for round cylinder Ø22 or round ¼ turns Ø28	with countersunk holes	grey RAL 7032	237-9002
l) as k) but	with bushings M4	light grey RAL 7035	237-8004
m) as l) but sealable	with bushings M4	light grey RAL 7035	237-9154
n) as k) but sealable	with countersunk holes	grey RAL 7032	237-9102
o) as k) but cover spring loaded	with countersunk holes	grey RAL 7032	237-9303
q) spacer 5mm / 0.197 thick, for profile or round cylinder		RAL 7032	237-0401.06-07032*
q1 as q) but		RAL 7035	237-0401.06-07035*
q2) as q) but		RAL 9003	237-0401.06-09003*
r) spacer 2mm / 0.079 thick, only for profile cylinder		RAL 7032	237-0402.06-07032

\* Price and delivery time on request