

## 1-405 3-Point Latch

for Profile Cylinder

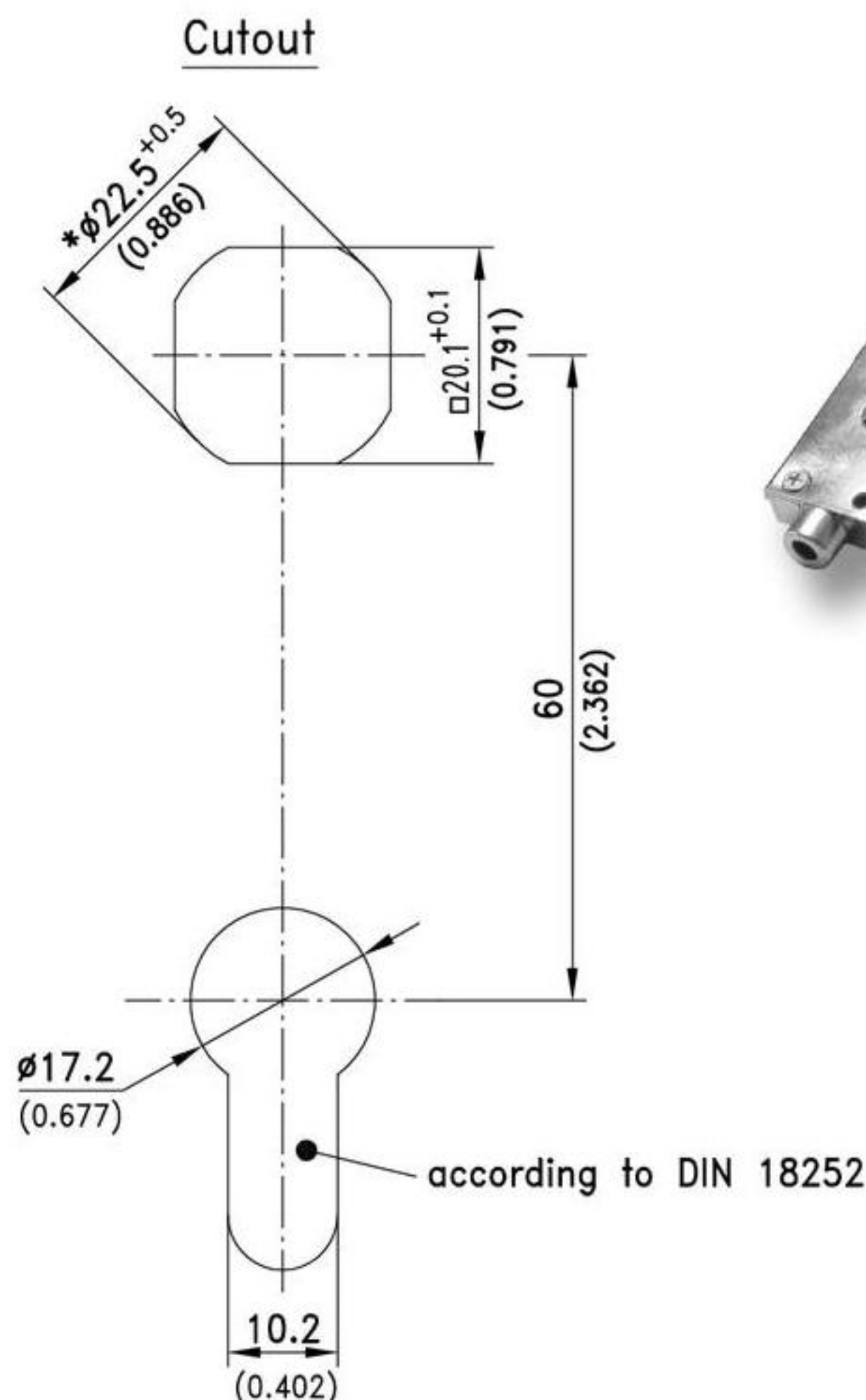


Rod-Latch system for Profile Cylinders to DIN 18252. Heavy Duty version.

- Screw-in or Weld-on.

### Material:

- **Rod Latch:**  
steel, zinc plated and zinc die
- **Lock support:**  
steel, zinc plated
- **Insert:**  
zinc die, chrome plated
- **Escutcheon:**  
zinc die, chrome plated
- **Rod Guide:**  
PA, black
- **Round rods:**  
steel, zinc plated



\* in case of welded latch  
support Ø22 (0.866) possible

	Part No.	see page
a) Rod-latch for round rod Ø8mm, Stroke 18		
RH	235-9401	
LH	235-9402	
b) Latch support for RH and LH version		
A20	235-1005	
A26	235-1006	
c) Insert with screw M6x10		02.64
d) Escutcheon		02.64
e) Rod guide		02.64, 02.77
f) Round rods with rollers		02.64, 02.75, 02.76
Optional:		
Water- and dust-tight according to IP65 by:		
g) O-Ring	200-1001	
h) Flat external seal	200-0901	
i) Swinghandle		03.21
j) T- and L-Handle		02.74



## 1-405 3-Point Latch

for Profile Cylinder

