

6-295 Handle

with cylinder

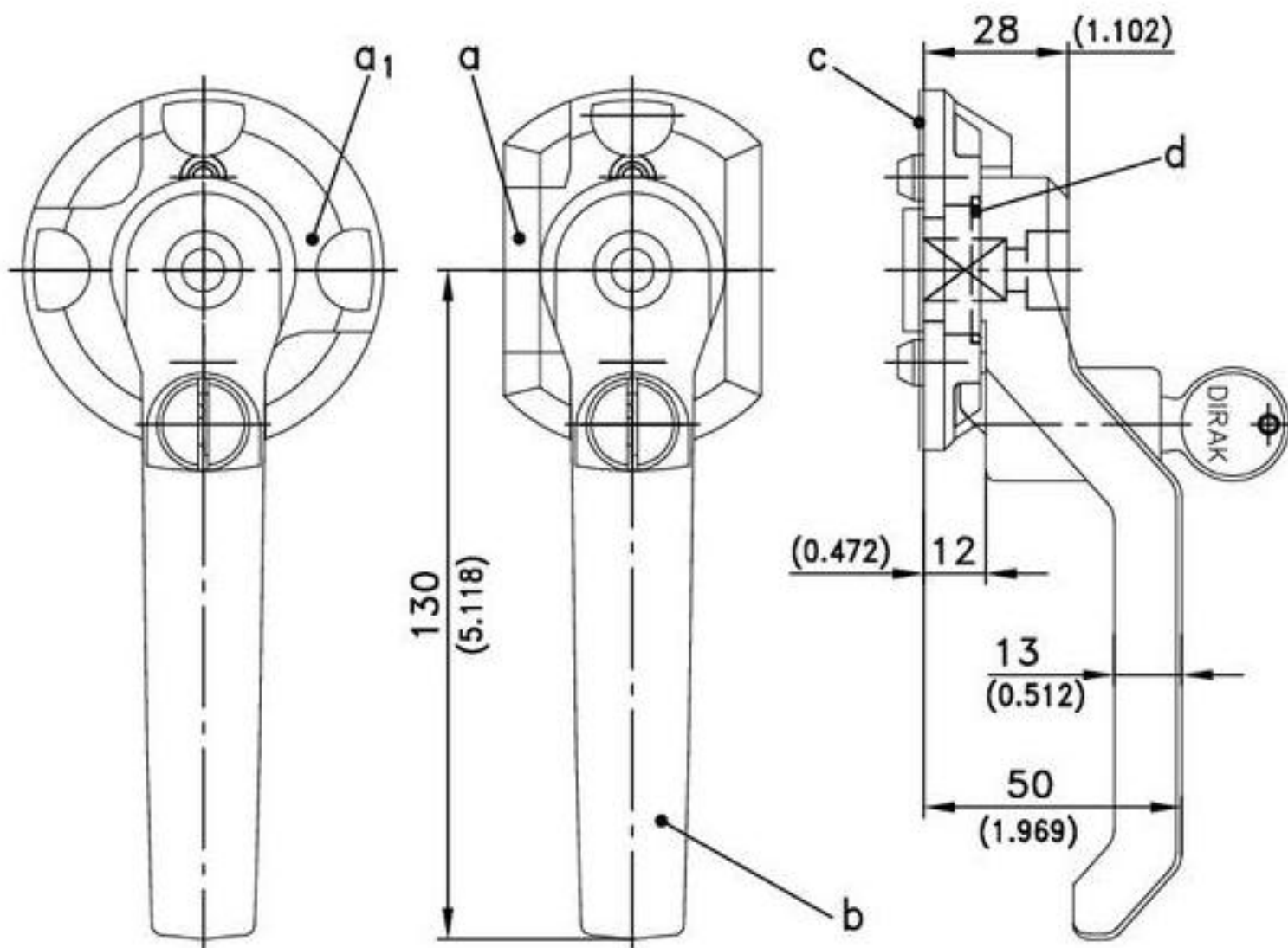


Lockable heavy duty handle consists of two units, a) and b)

- Oblong bezel for 180° rotation angle with 2 stops and 2 latch recesses
- Round bezel with 90° rotation angle, lockable with 2 stops and 4 latch recesses

Material:

- a) and a1)
- **Bezel:**
PA, black
- b) and b1)
- **Handle:**
PA, black
- **Insert:**
zinc die, chrome plated



| Please order separately: | | see page |
|---|-------------------|--------------|
| a) Oblong bezel | 232-0409 | 05.27 |
| a1) Round bezel | 232-0410.00-00001 | 05.27 |
| Handle, with barrel | | |
| b) keyed alike DIRAK 1333* | 232-9303 | |
| keyed alike DS200* | 532-9303 | |
| keyed different/mixed | 232-9304 | |
| b1) Handle, fitted with insert | | |
| Square 6 | 232-9401 | |
| Square 7 | 232-9402 | |
| Square 8 | 232-9403 | |
| Square 8 slotted | 232-9404 | |
| Triangular 6,5 CNOMO Typ 1 | 232-9405 | |
| Triangular 7 | 232-9406 | |
| Triangular 8 | 232-9407 | |
| Triangular 9 EDF | 232-9408 | |
| Double bit 3 pin | 232-9409 | |
| Double bit 5 pin | 232-9410 | |
| Socket hex. 6mm | 232-9411 | |
| Socket hex. 10mm | 232-9412 | |
| Socket female square 6 | 232-9413 | |
| Socket female square 7 | 232-9414 | |
| Socket female square 8 | 232-9415 | |
| Daimler Benz type | 232-9416 | |
| Slotted 2x4 deep | 232-9417 | |
| Crown type | 232-9418 | |
| Slotted recessed coin proof | 232-9419 | |
| Crescent Czech | 232-9420 | |
| Additional inserts on request | | |
| Water- and dust-tight according to IP65 EN 60529: | | |
| c) Flat seal, for bezel oblong | 232-1401 | |
| c1) Flat seal, for bezel round | 232-1402 | |
| d) O-Ring | 232-1501 | |
| All other parts | | 05.27, 05.24 |
| * with stainless dust-shutter | | |