

6-270 Heavy Duty Handle

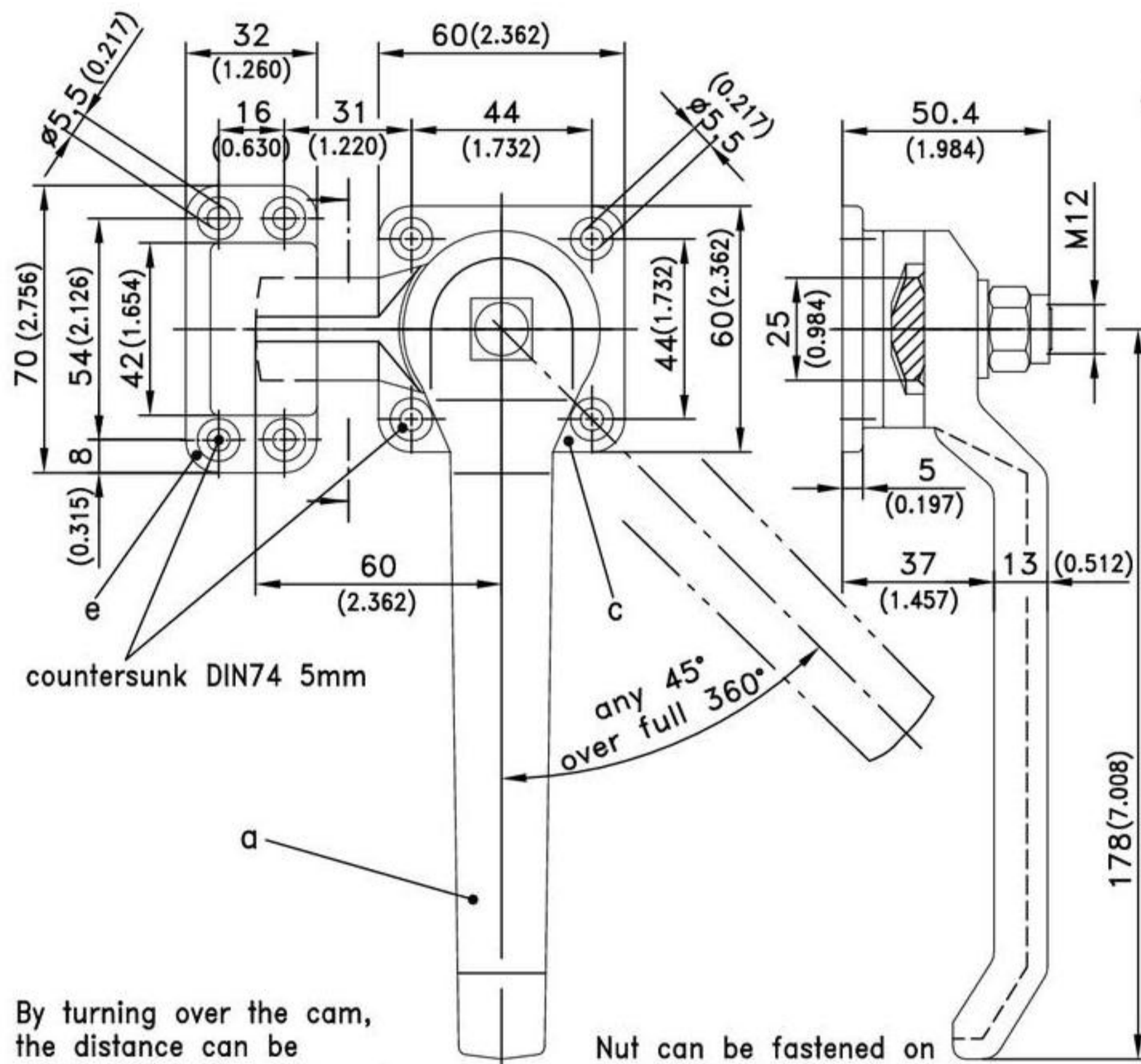


Heavy Duty Handle.

- RH or LH application.
- Cam can be turned over and can be fastened at any 45° angle.

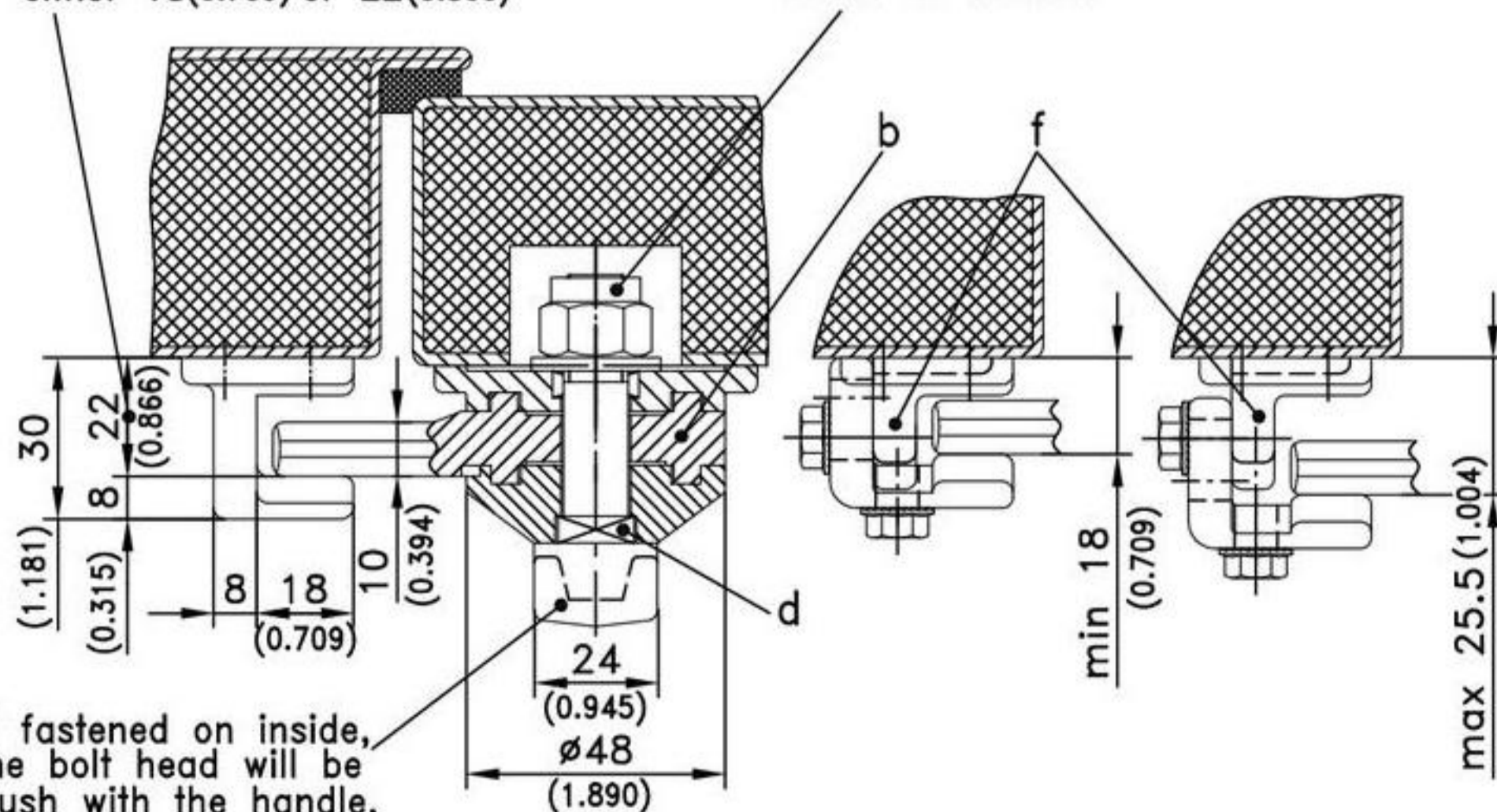
Material:

- a), b), c), e) and f)
• **Handle, cam, base plate and hook:**
white malleable cast iron, zinc plated
- d)
• **Shaft:**
steel, zinc plated



By turning over the cam, the distance can be either 18(0.709) or 22(0.866)

Nut can be fastened on inside or outside.



- a) to d) Handle, complete
- e) Hook
- f) Hook, adjustable

Part No.
232-9001
232-1201
232-9201