

6-310 Latch System

with cam

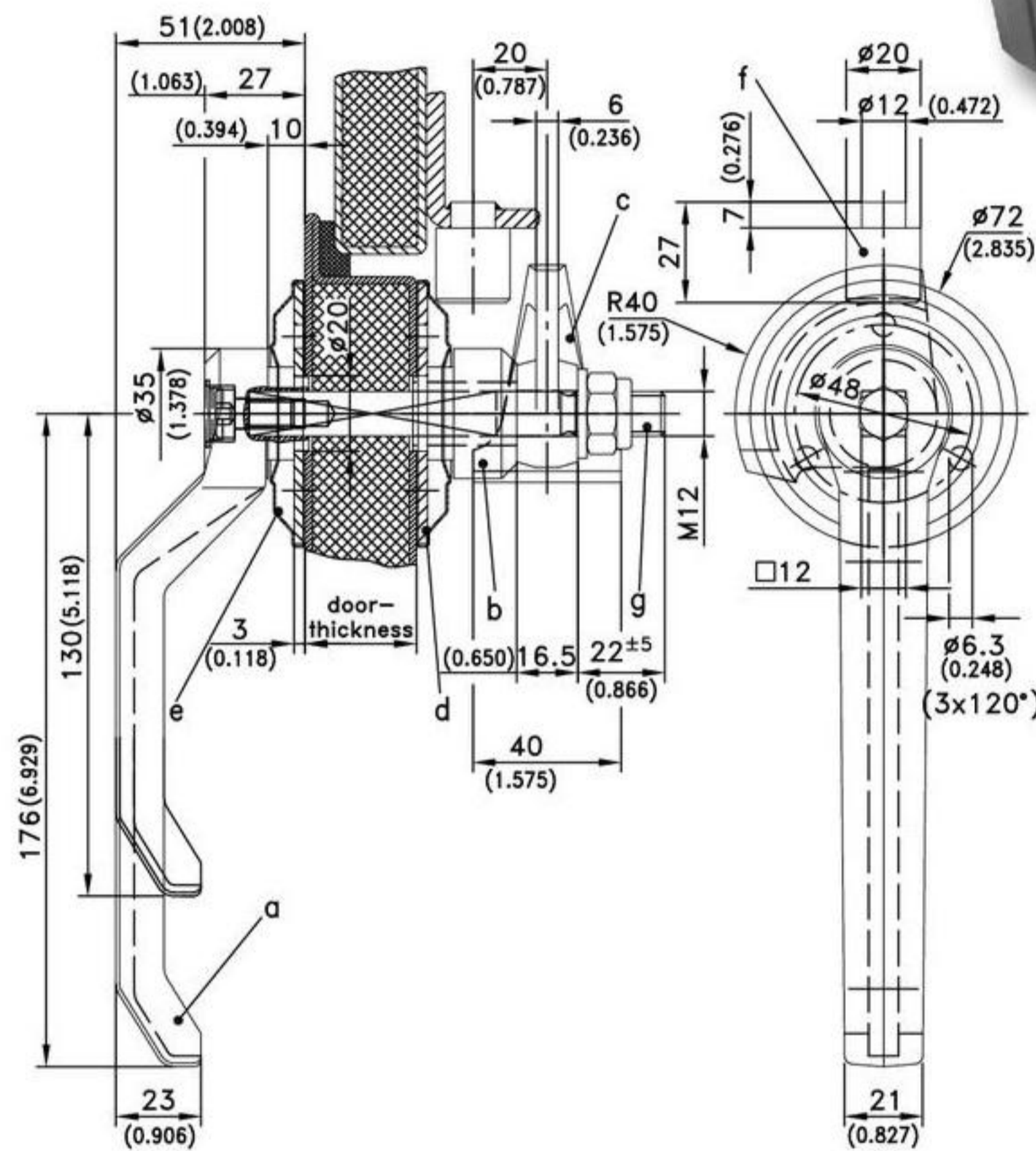


Polyamide Heavy Duty latch with handle on outside.

- Instead of bearing d) and bezel e) you can also use the round polyamide bezel e.g. 232-0401 or polyamide bezel 232-0402 / 03 see page 05.27.

Material:

- a) and a1)
- **Handle outside**
PA, black
- **core for a1):**
steel, zinc plated
- c)
- **Locking cam:**
aluminium
- b), d), e), f) and g)
- **Spacer, bearing plate, bezel, locking stub and shaft, complete:**
steel, zinc plated



Version	Part No.	see page
a) Handle outside	length 130 / 5.118	232-0201
Handle outside	length 176 / 6.929	232-0202
a1) Handle outside	length 130 / 5.118	232-0207
(steel, zinc plated core)	length 176 / 6.929	232-0208
b) Spacer		232-0701
c) Locking cam		232-0601
d) Bearing plate, steel zinc plated		232-0404
e) Bezel, steel zinc plated		232-0405
all PA bezels		05.27
f) Locking stub		232-0801
g) Complete shaft with socket-head screw, small cover, washer and self locking nut		
	Door-thickness	Part No.
	20±5 / 0.787±0.197	232-9103
	30±5 / 1.181±0.197	232-9104
	40±5 / 1.575±0.197	232-9105
	50±5 / 1.969±0.197	232-9106
	60±5 / 2.362±0.197	232-9107
	80±5 / 3.150±0.197	232-9109
	100±5 / 3.937±0.197	232-9111