

6-280 Heavy Duty Latch System



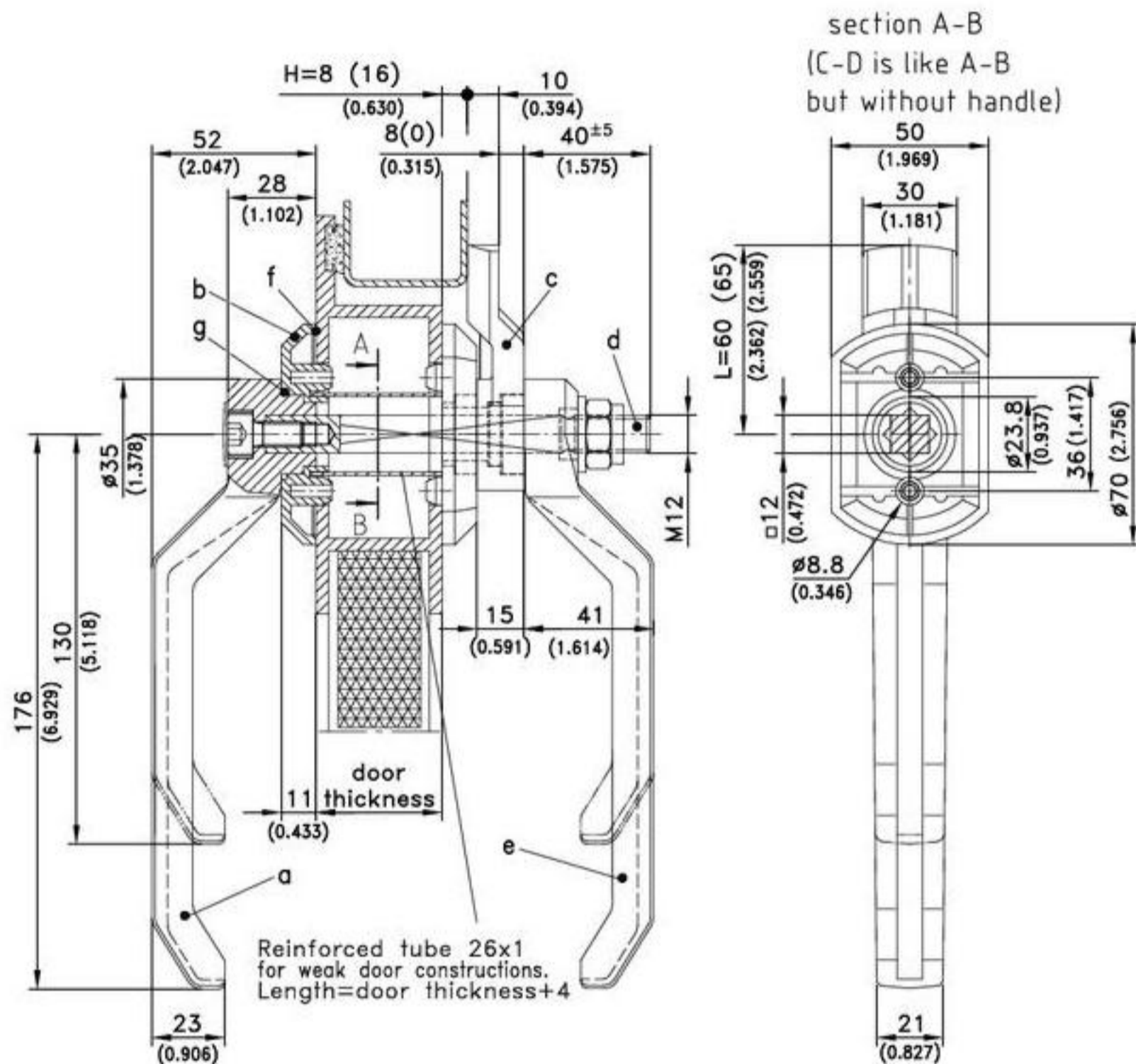
Heavy duty latch system with PA handles and bezels.

- Instead of bezels you can use the steel bearing-plate 232-0404 with bezel 232-0405 as see page 05.28 (both steel, zinc plated).
- Cutout see page 05.27

Material:

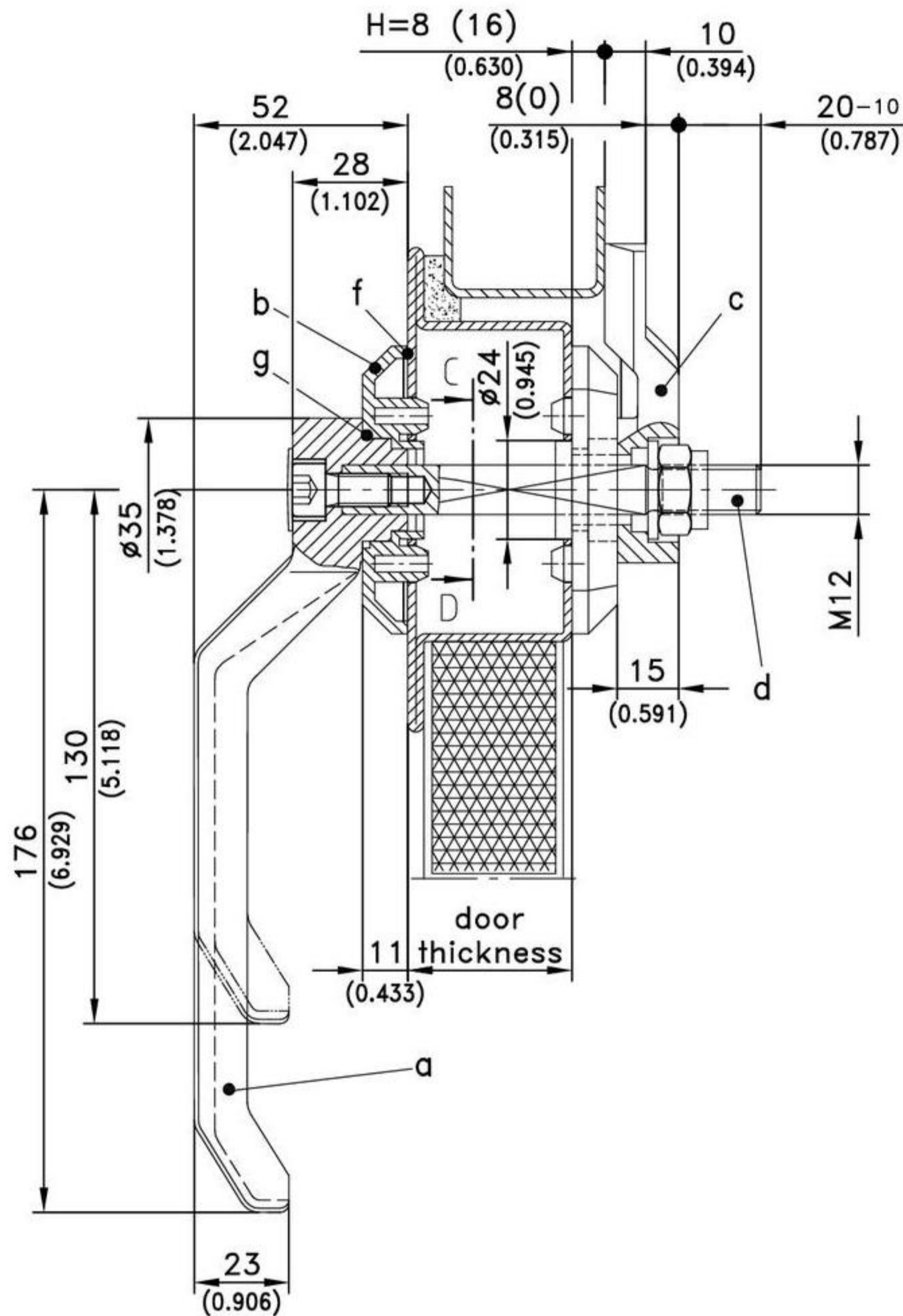
- a), a1), e) and e1)
- **Handle in- and outside**
PA, black

- **Handle core for a1) and e1):**
steel, zinc plated
- b)
- **Bezel:**
PA, black
- c)
- **Cam:**
zinc die
- d)
- **Pin:**
steel, zinc plated



Version		Part No.	see page
a) Handle outside	length 130 / 5.118	232-0201	
Handle outside	length 176 / 6.929	232-0202	
a1) Handle outside	length 130	232-0207	
(steel, zinc plated core)	length 176	232-0208	
e) Handle inside	length 130	232-0301	
Handle inside	length 176	232-0302	
e1) Handle inside	length 130	232-0303	
(steel, zinc plated core)	length 176	232-0304	
b) Bezel		232-0402	
all bezels			05.27
c) Cam	H=8, L=60 / 2.362	232-0501	
Cam	H=16, L=65 / 2.559	232-0502	
d) Complete shaft with socket-head screw, small cover, washer and self locking nut			
	Door-thickness	Part No.	
	20±5 / 0.787±0.197	232-9103	
	30±5 / 1.181±0.197	232-9104	
	40±5 / 1.575±0.197	232-9105	
	50±5 / 1.969±0.197	232-9106	
	60±5 / 2.362±0.197	232-9107	
	80±5 / 3.150±0.197	232-9109	
	100±5 / 3.937±0.197	232-9111	
Please order separately:			
Water- and dust-tight according to IP65 by:			
f) Flat seals			05.27
g) O-Ring		232-1501	

6-280 Heavy Duty Latch System



		see page
a) Handle outside	(see left table)	
a1) Handle outside (steel, zinc plated core)	(see left table)	
b) Bezel	(see left table)	
c) Cam	(see left table)	
d) Complete shaft with socket-head screw, small cover, washer and self locking nut		
Door-thickness	Part No.	
20±10 / 0.787±0.394	232-9101	
30±10 / 1.181±0.394	232-9102	
40±10 / 1.575±0.394	232-9103	
50±10 / 1.969±0.394	232-9104	
60±10 / 2.362±0.394	232-9105	
80±10 / 3.150±0.394	232-9107	
100±10 / 3.937±0.394	232-9109	
Please order separately:		
Water-and dust-tight according to IP65 EN 60529:		
f) Flat seals		05.27
O-Ring	232-1501	