

## 6-174 Telescopic Cover Support

steel, zinc plated



Telescopic Cover support with automatic multiple stops and automatic release in the end position, for desk-leaves and covers.

- RH or LH application.
- Mounting examples see page 09.17.
- Note: To release the mechanism, the cover stay has to be extended completely.

**Material:**

a) and a1)

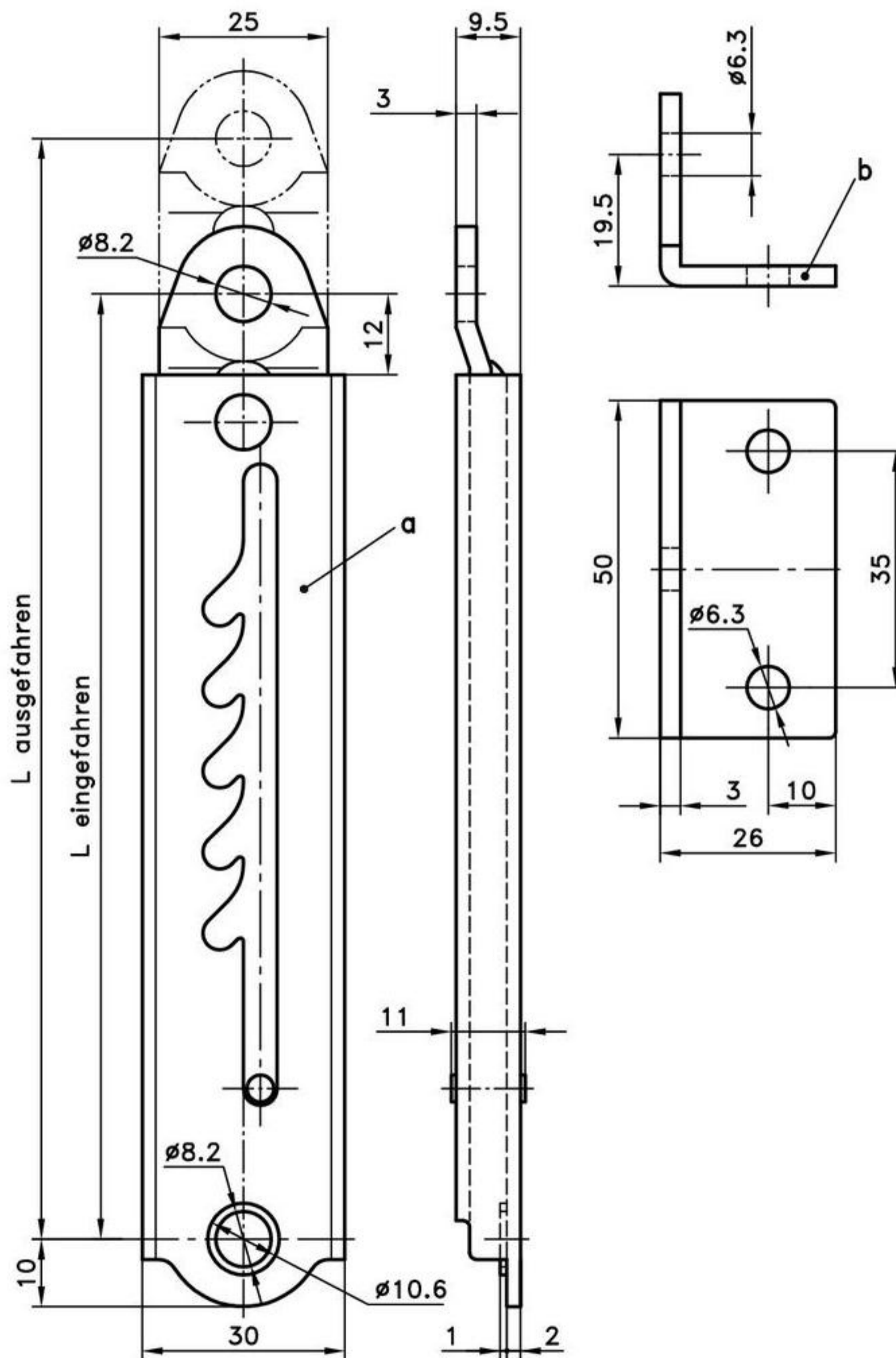
• **Telescopic Cover Support:**

steel, zinc plated

b)

• **Mounting angle:**

steel, zinc plated



	230-9309	230-9308
Stop	L extended	L extended
1.	234.5 / 9.232	164 / 6.457
2.	248 / 9.764	177 / 6.969
3.	261 / 10.276	189.5 / 7.461
4.	274.5 / 10.807	202 / 7.953
5.	288 / 11.339	214.5 / 8.445
6.	301 / 11.850	
7.	314.5 / 12.382	
8.	327 / 12.874	
9.	340.5 / 13.406	
10.	354 / 13.937	

Version	Number of stops	Length L retracted	Length L extended	Part No.
a) Telescopic Cover Support, short	5	140 / 5.512	230 / 9.055	230-9308
a1) Telescopic Cover Support, long 2 spacers for M6 screws included.	10	214 / 8.425	374 / 14.724	230-9309
b) Mounting angle with 1 screw and one selflocking nut				230-9401