

6-180 Cover stay

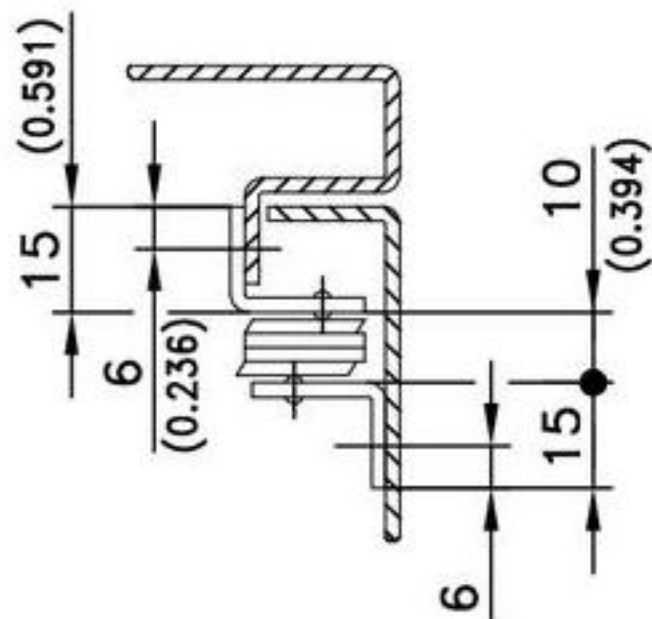
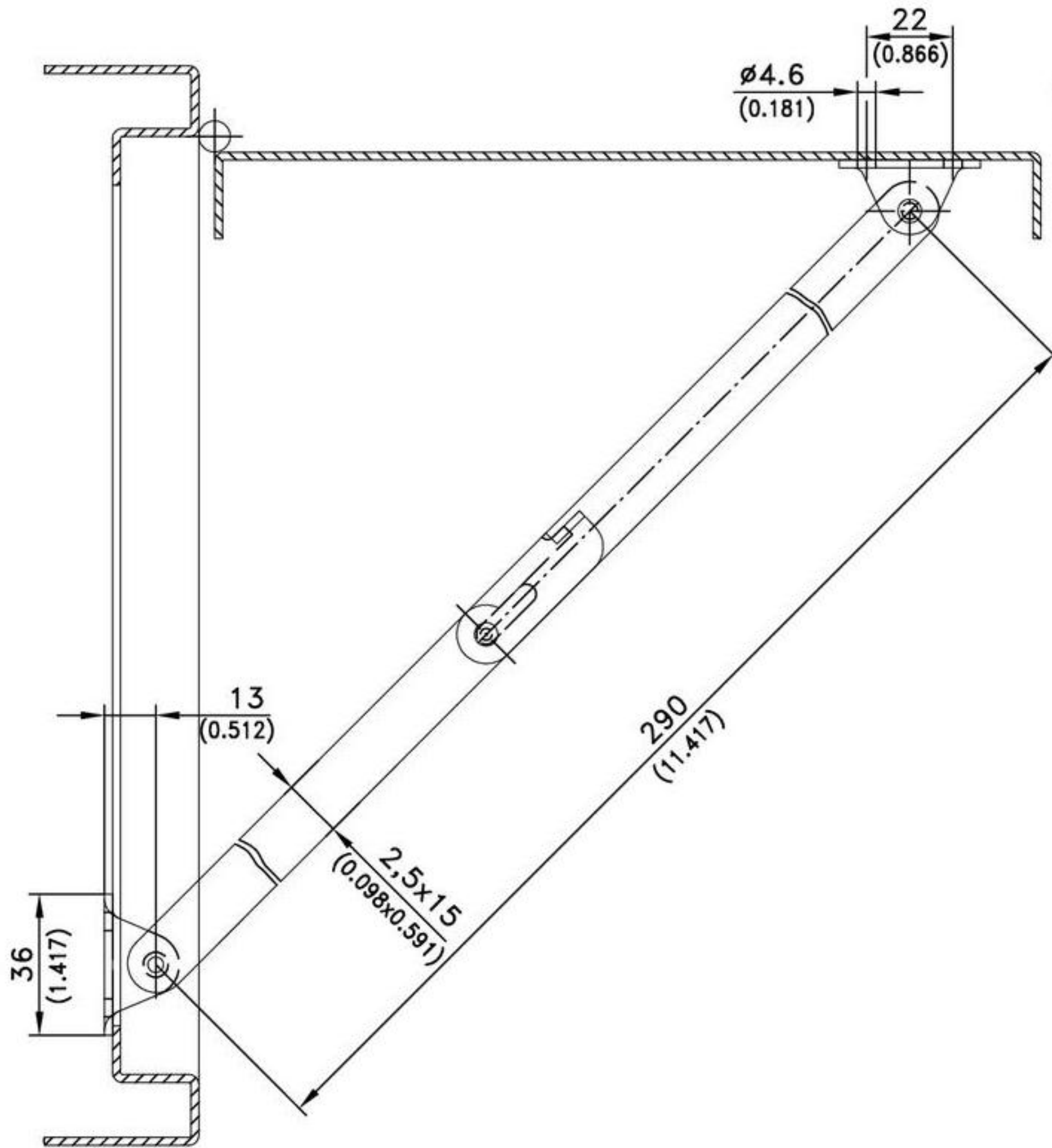
steel, nickel plated



Cover stay screw-on or weld-on

Material:

- Cover stay:
steel, nickel plated



Version	Part No.
RH (as drawn)	230-9101
LH (mirror view)	230-9102