

6-170.01 Telescopic Cover Support

long, steel zinc plated



Telescopic Cover Support for covers and desk-leafs with automatic locking and release device.

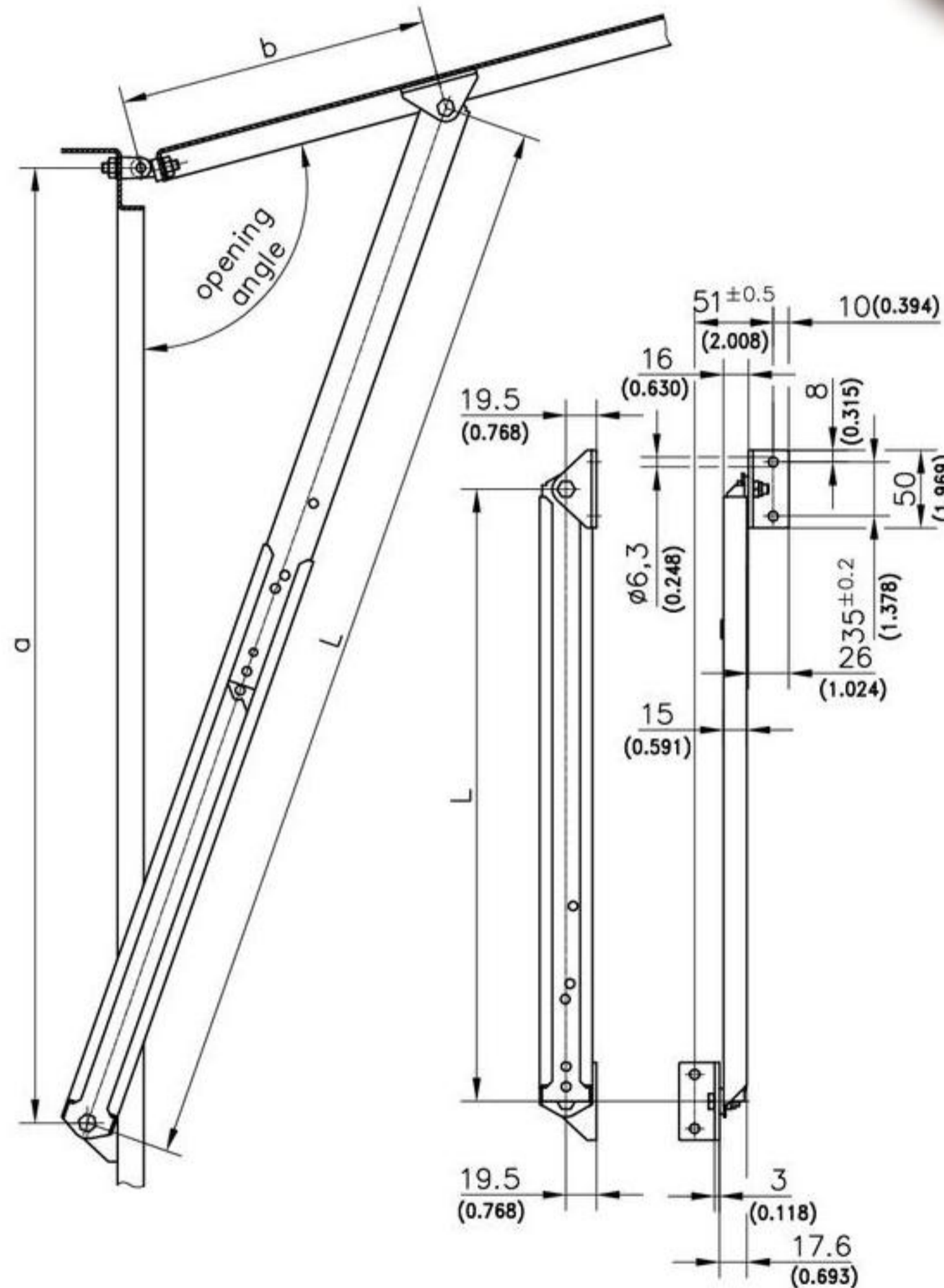
Extending the telescopic cover support completely, the concealed catch lever automatically gets into the locking position. A 3cm retraction makes the support engaging safely.

Renewed extending, makes the catch lever getting into the free-run position and the telescopic cover support can be retracted.

- HD design: cam plates individually riveted and catch laver made of stainless steel.
- RH and LH application.

Material:

- **Inner- and outer rails, mounting angles and cam plates:**
steel, zinc plated
- **Catch lever:**
stainless steel (cast)



Version	Length L, retracted	Length L, extented, engaged	Length L, extended	Part No.	see page
Telescopic Cover Support, long	395±2 / 15.551	695±2 / 27.362	725±2 / 28.543	230-9002	
Examples of application	approx. Dimension a		approx. Dimension b		
Angle 90°	660 / 25.984		220 / 8.661		
Angle 105°	616 / 24.252		200 / 7.874		
Angle 120°	588 / 23.150		180 / 7.087		
Angle 135°	573 / 22.559		160 / 6.299		
The stated dimensions are only valid in the shown assembly situation. (Hinge 217-9301/-9302)					
Changing the assembly situation makes own tests necessary. Opening angle can be varied by changing dimensions a and b.					06.64