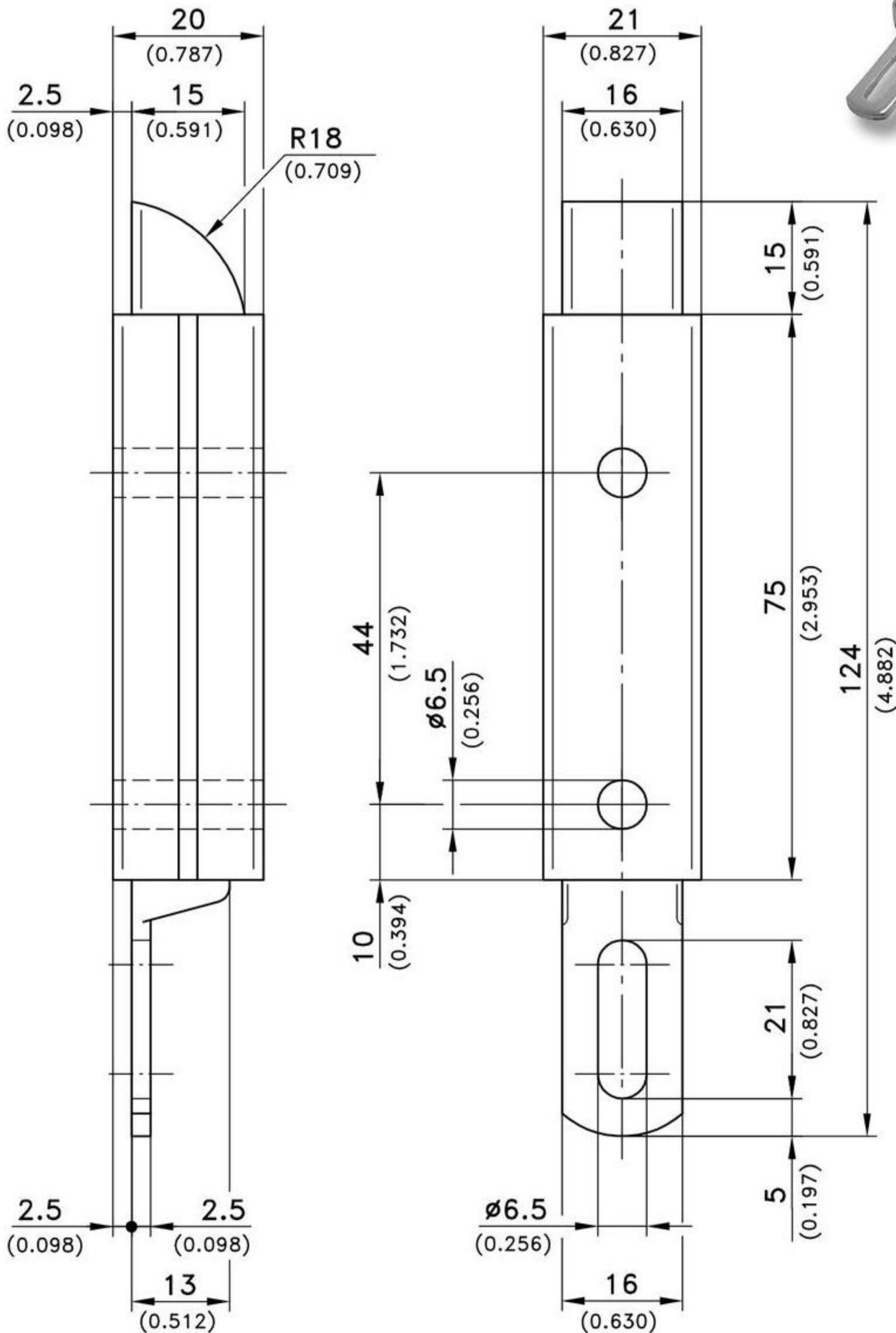


6-120 Slam Lock



Robust, screw-on slam-lock.

Material:
steel, zinc plated



6-1200.01SL Finger Pull Handles SNAP-LINE

OMEGA

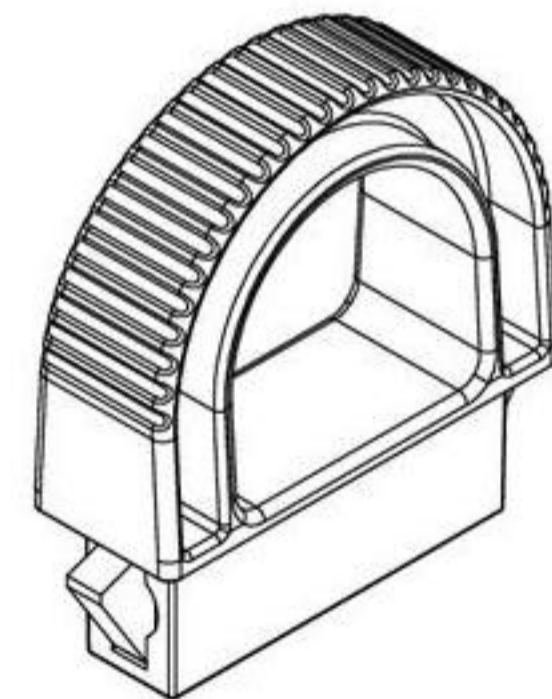
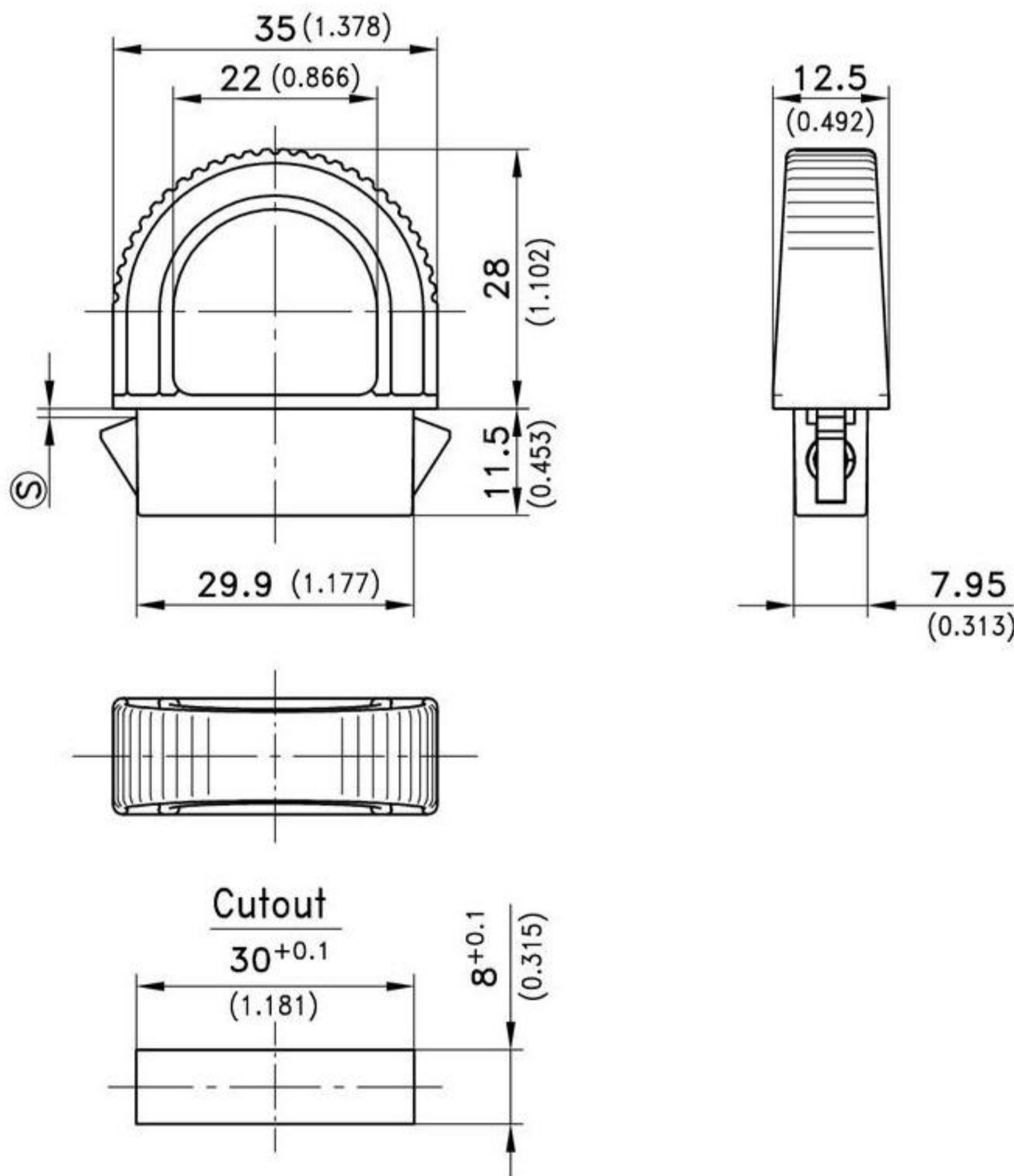


OMEGA small finger pull handles SNAP-LINE.

- The Finger Pull Handles are suitable for the computer industry, 19" technology, insertions and equipments and other applications.
- Installation by a simple push into the cutout.

Material:

- OMEGA:** PA, black or zinc die, matt chrome plated
- Other surfaces: on request**
- Snap wedges:** sintered steel



	clamping range ©	PA, black	zinc die, matt chrome plated	see page
OMEGA	0,8 - 1,5	413-9001.00-00015	413-9008.00-00015	
	1,3 - 2,0	413-9001.00-00020	413-9008.00-00020	
	1,5 - 2,2	413-9001.00-00022	413-9008.00-00022	
	2,8 - 3,5	413-9001.00-00035	413-9008.00-00035	
Other © - dimension on request!				
Reinforcement plate for thin-walled sheets and for higher loads:		292-0702.15-01030	292-0702.15-01030	01.108
Tool for uninstallation		292-0306.80-02530	292-0306.80-02530	01.109

6-1200.02SL Finger Pull Handle SNAP-LINE

OMICRON

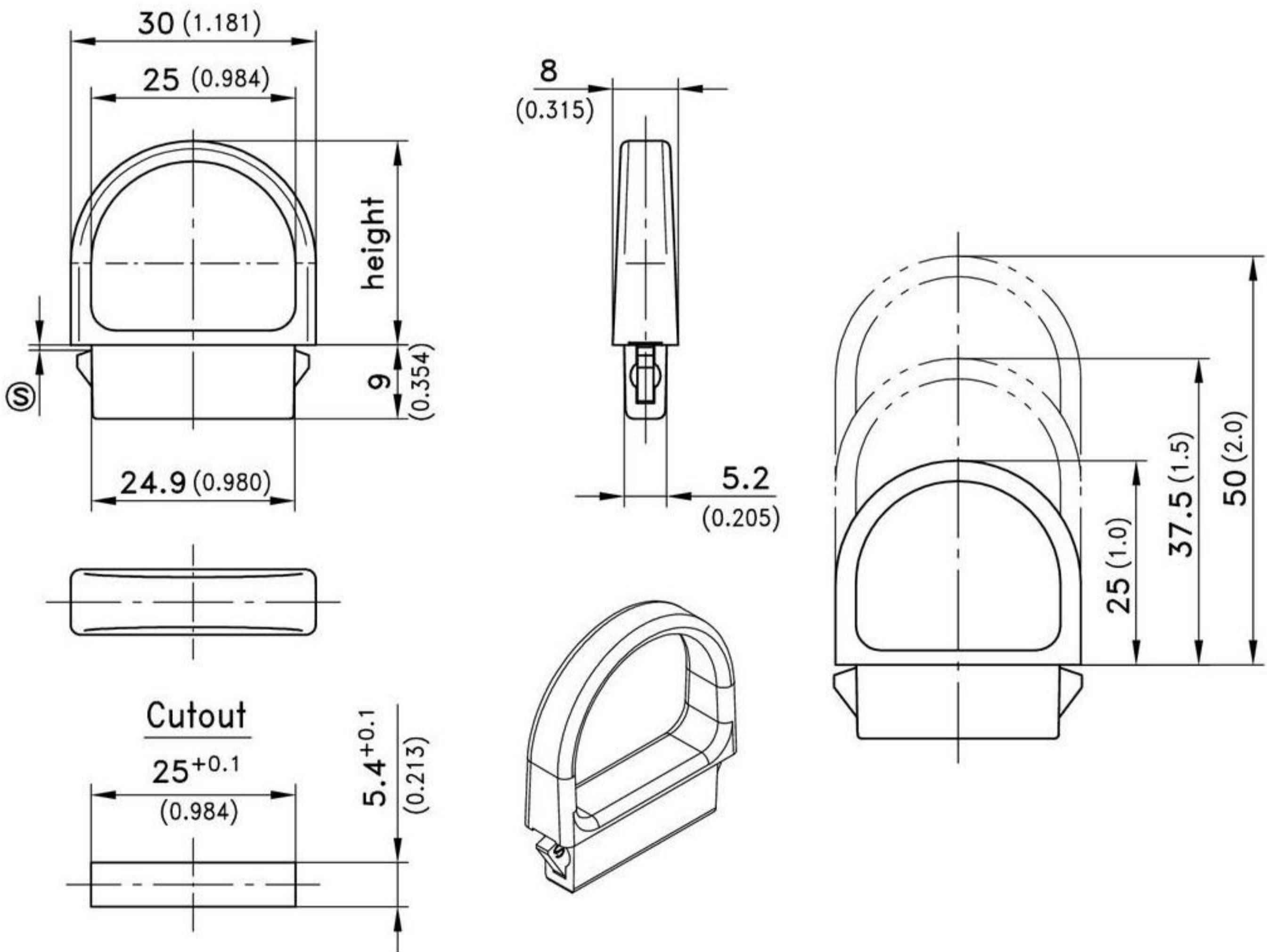


OMICRON small finger pull handles SNAP-LINE.

- The Finger Pull Handles are suitable for the computer industry, 19" technology, insertions and equipments and other applications.
- Installation by a simple push into the cutout.

Material:

- **OMICRON:** zinc die, matt chrome plated.
- **Other surfaces:** on request
- **Snap wedges:** sintered steel



	clamping range	height 2.0"	height 1.5"	height 1.0"	see page
OMICRON	0,6 - 0,9	413-9009.40-00609	413-9010.40-00609	on request	
	0,8 - 1,1	413-9009.40-00811	413-9010.40-00811	on request	
	1,2 - 1,5	413-9009.40-01215	413-9010.40-01215	on request	
	1,8 - 2,1	413-9009.40-01821	413-9010.40-01821	on request	
	2,2 - 2,5	413-9009.40-02225	413-9010.40-02225	on request	
	2,4 - 2,7	413-9009.40-02427	413-9010.40-02427	on request	
Other © - dimension on request!					
Tool for uninstallation		292-0306.80-02530	292-0306.80-02530	292-0306.80-02530	01.109