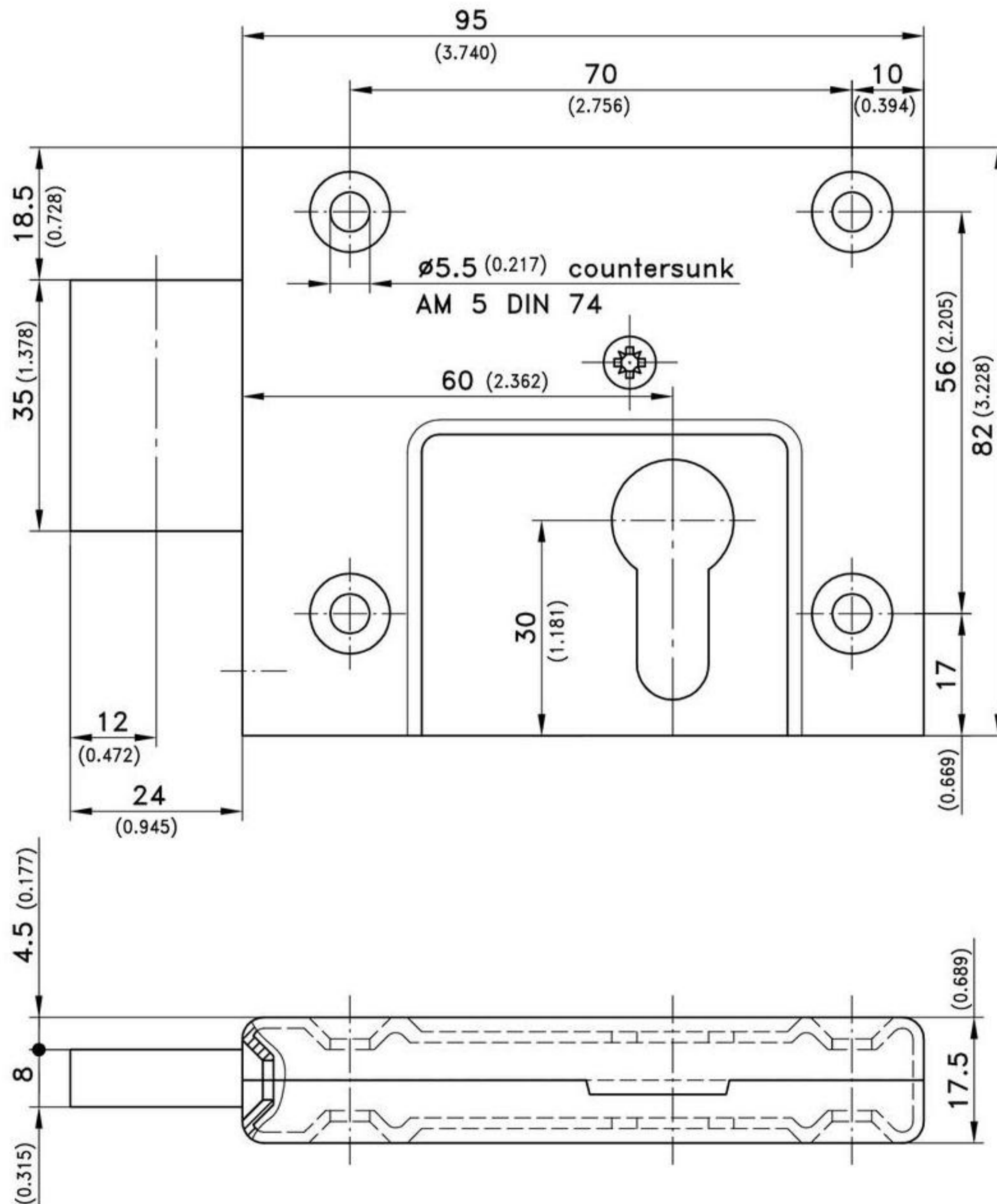


6-110 Dead Bolt Lock



Dead Bolt Lock, double-rotating lockable application.
 • RH or LH application for profile cylinder.

Material:
 • **Dead Bolt Lock**
 steel, zinc plated



Dead Bolt Lock	Part No.	see page
Countersunk machine screw for dead bolt lock	228-9001	
Profile Cylinder according DIN 18252	860-0965.00-00570	

6-1102 Bridge Handle

aluminium

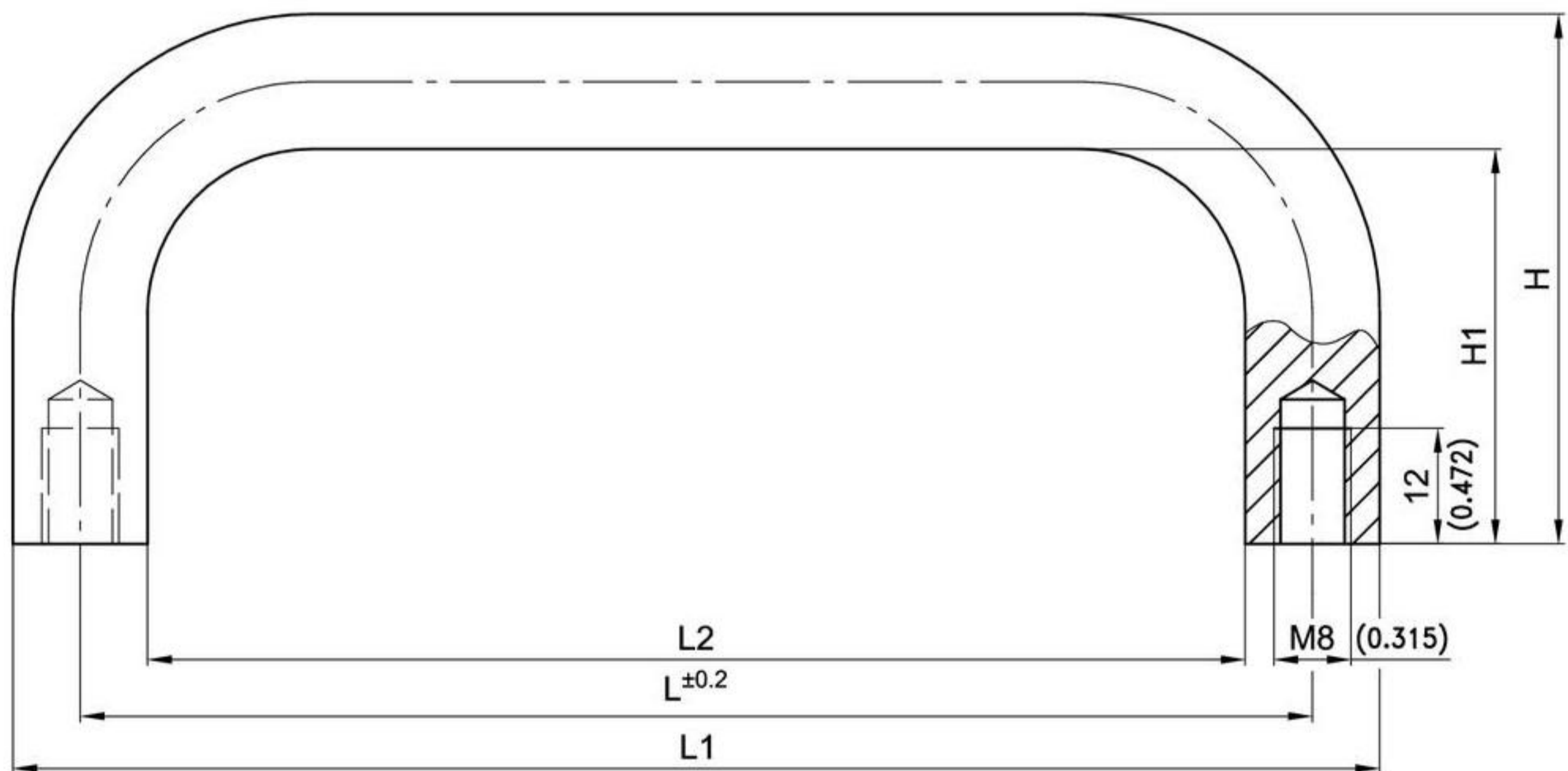
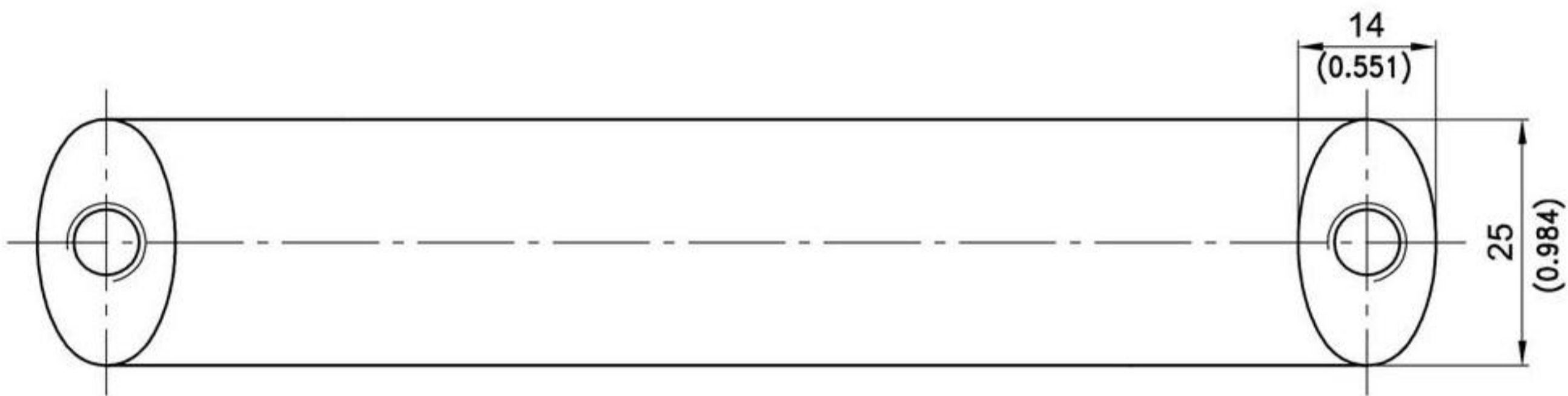


Solid aluminium handle, modern industrial design.

- Handles for hospital equipment, medical and food processing technology.
- Designed for vertical or horizontal uses.
- For screws M8.

Material:

- aluminium, anodized natural (silver)
- Other surfaces: on request



Bridge Handle, ellipse	L	L1	L2	H	H1	Aluminium anodized
mm / inch	112 / 4.409	126 / 4.961	98 / 3.858	55 / 2.165	41 / 1.614	213-0514.96-00112
	128 / 5.039	142 / 5.591	114 / 4.488	55 / 2.165	41 / 1.614	213-0514.96-00128
	160 / 6.299	174 / 6.850	146 / 5.748	55 / 2.165	41 / 1.614	213-0514.96-00160
	192 / 7.559	206 / 8.110	178 / 7.008	55 / 2.165	41 / 1.614	213-0514.96-00192
	300 / 11.811	314 / 12.362	286 / 11.260	55 / 2.165	41 / 1.614	213-0514.96-00300

6-1103 Bridge Handle

aluminium

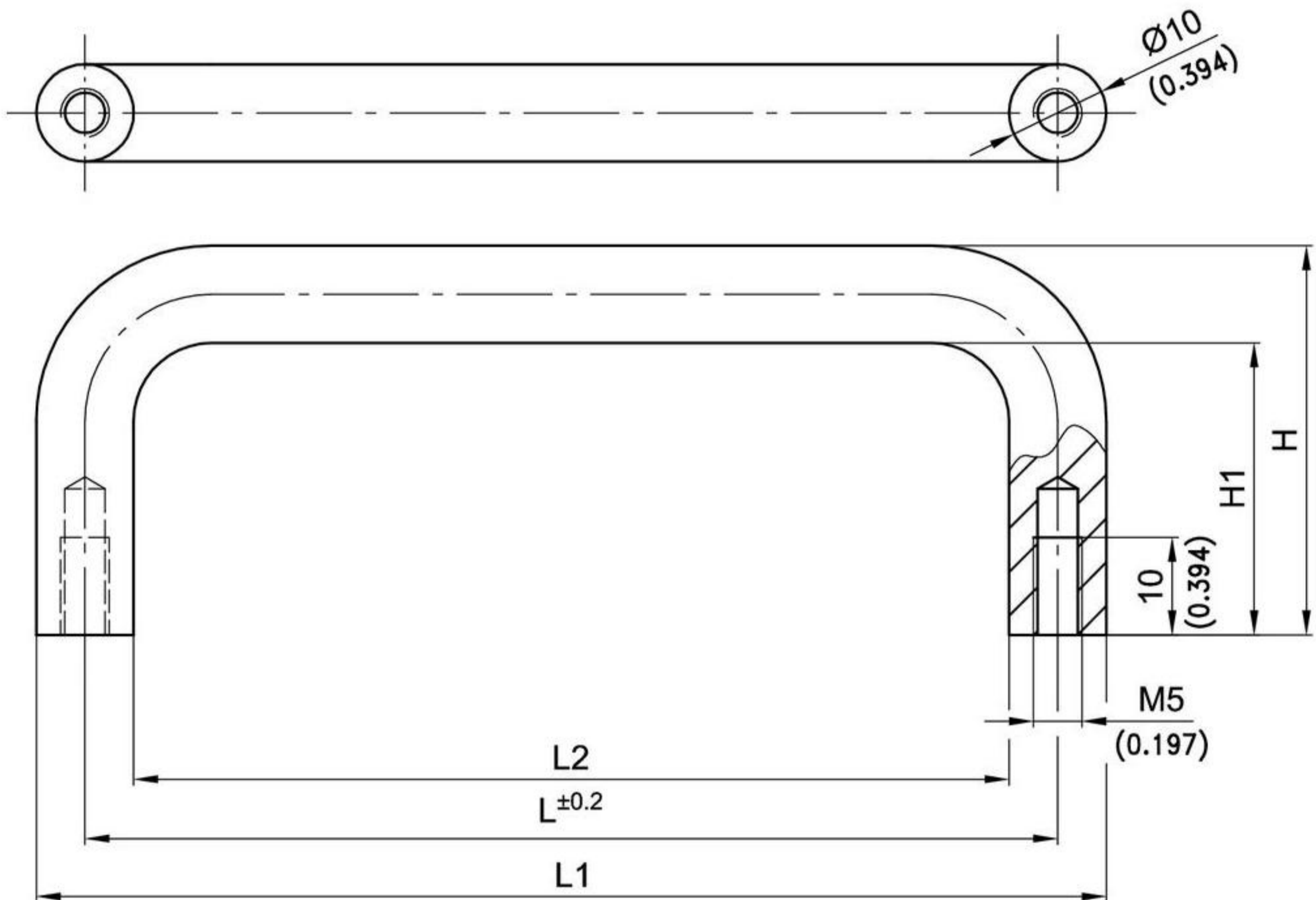


Solid aluminium handle, modern industrial design.

- Handles for hospital equipment, medical and food processing technology.
- Designed for vertical or horizontal uses.
- For screws M5.

Material:

- aluminium, anodized natural (silver)
- Other surfaces: on request



Bridge Handle, round	L	L1	L2	H	H1	Aluminium anodized
mm / inch	100 / 3.937	110 / 4.331	90 / 3.543	40 / 1.575	30 / 1.181	213-0517.96-00100

6-1104 Bridge Handle

aluminium

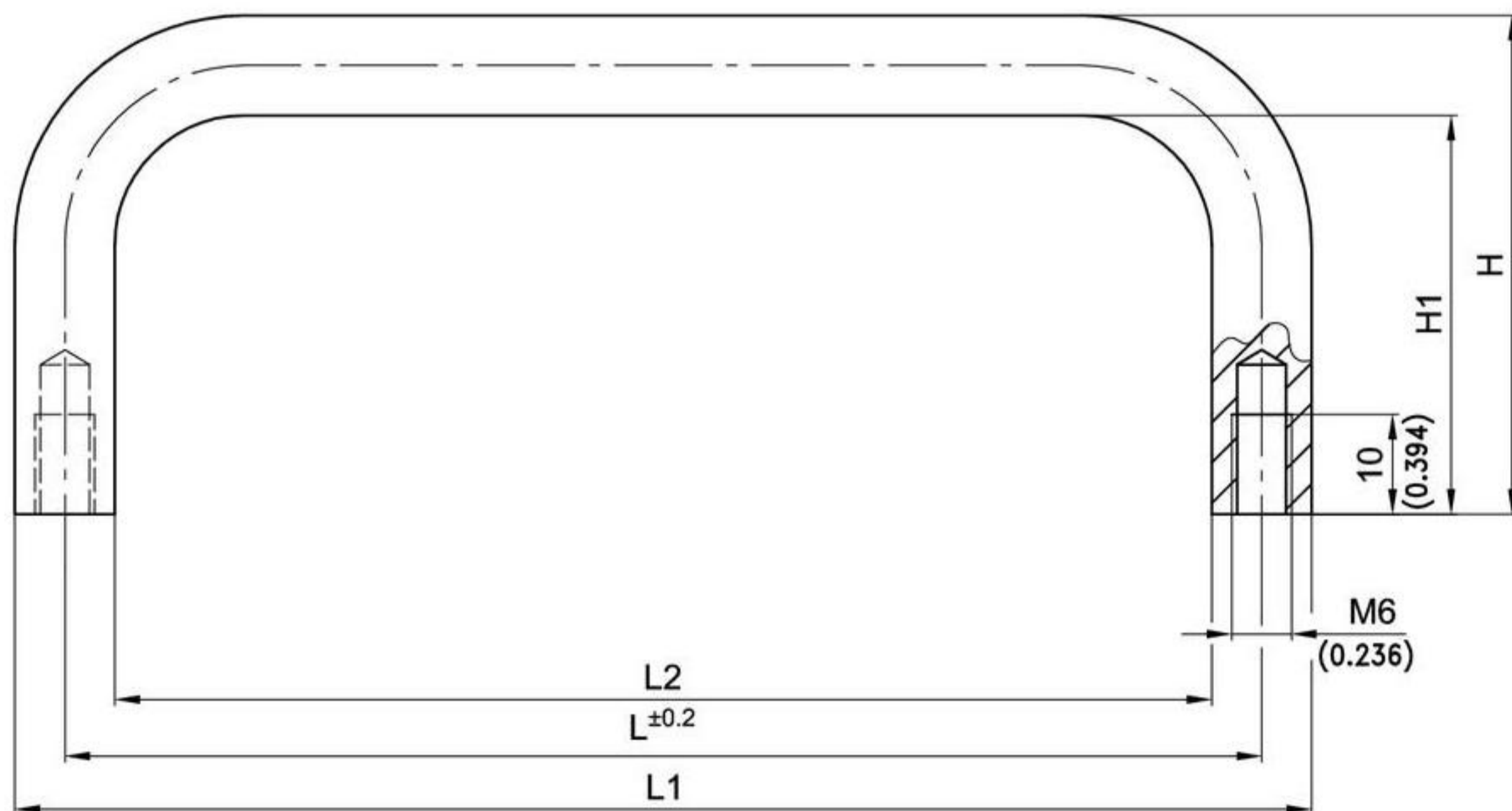
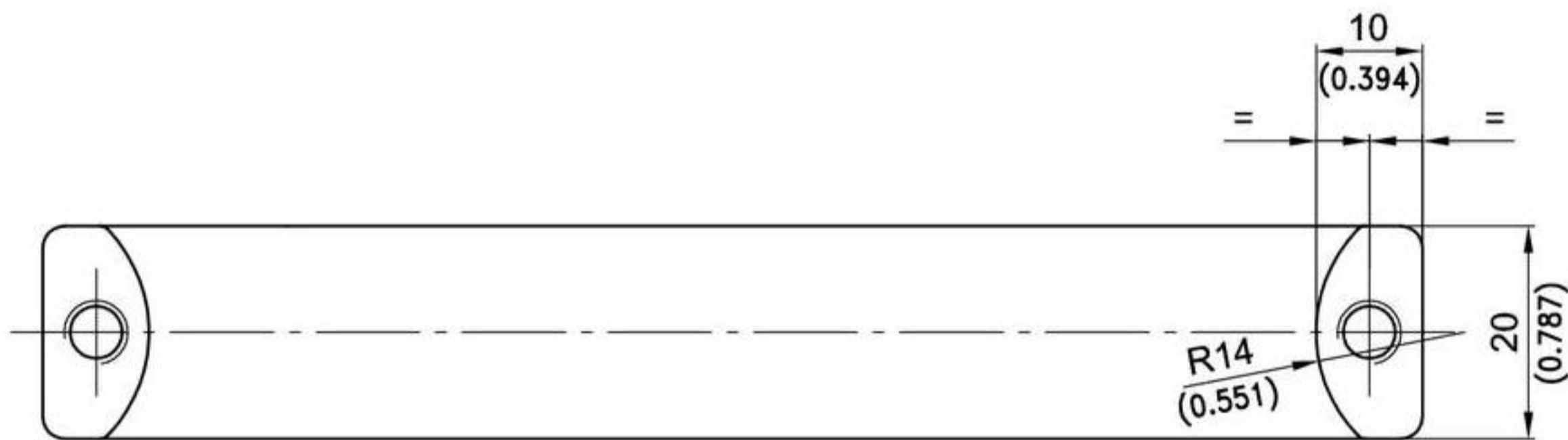


Solid aluminium handle, modern industrial design.

- Handles for machine building, tool building, electrical industry, hospital equipment, medical and food processing technology.
- Designed for vertical or horizontal uses.
- For screws M6.

Material:

- aluminium, anodized natural (silver)
- Other surfaces: on request



Machine Handle, half round	L	L1	L2	H	H1	Aluminium anodized
mm / inch	112 / 4.409	122 / 4.803	102 / 4.016	50 / 1.969	40 / 1.575	213-0513.96-00112
	128 / 5.039	138 / 5.433	118 / 4.646	50 / 1.969	40 / 1.575	213-0513.96-00128
	160 / 6.229	170 / 6.693	150 / 5.906	50 / 1.969	40 / 1.575	213-0513.96-00160

6-1105 Bridge Handle

aluminium

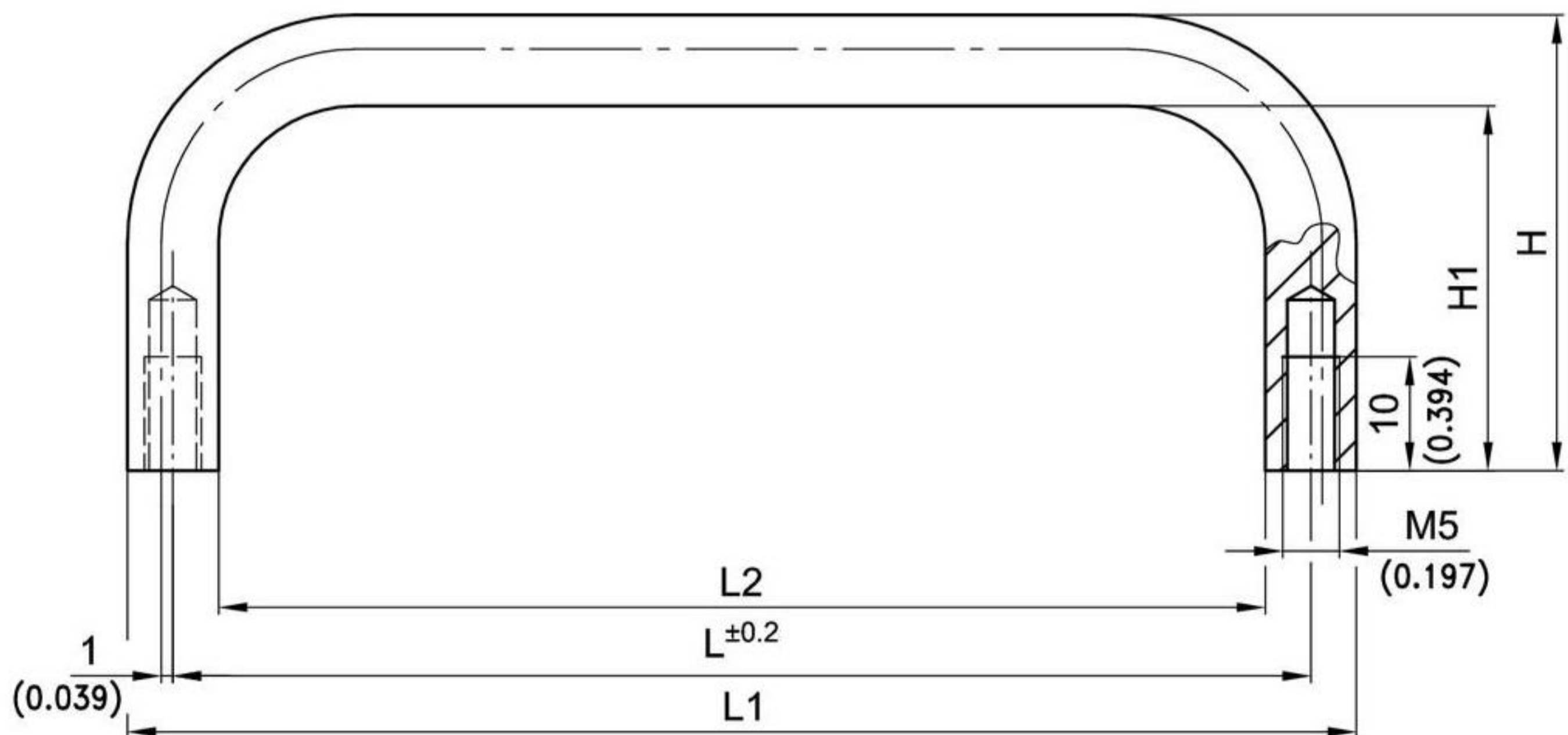


Solid aluminium handle, modern industrial design.

- Handles for hospital equipment, medical and food processing technology.
- Designed for vertical or horizontal uses.
- For screws M5.

Material:

- aluminium, anodized natural (silver)
- Other surfaces: on request



Bridge Handle, half round	L	L1	L2	H	H1	Aluminium anodized
mm / inch	100 / 3.937	108 / 4.252	92 / 3.622	40 / 1.575	32 / 1.260	213-0516.96-00100



6-1106 Bridge Handle

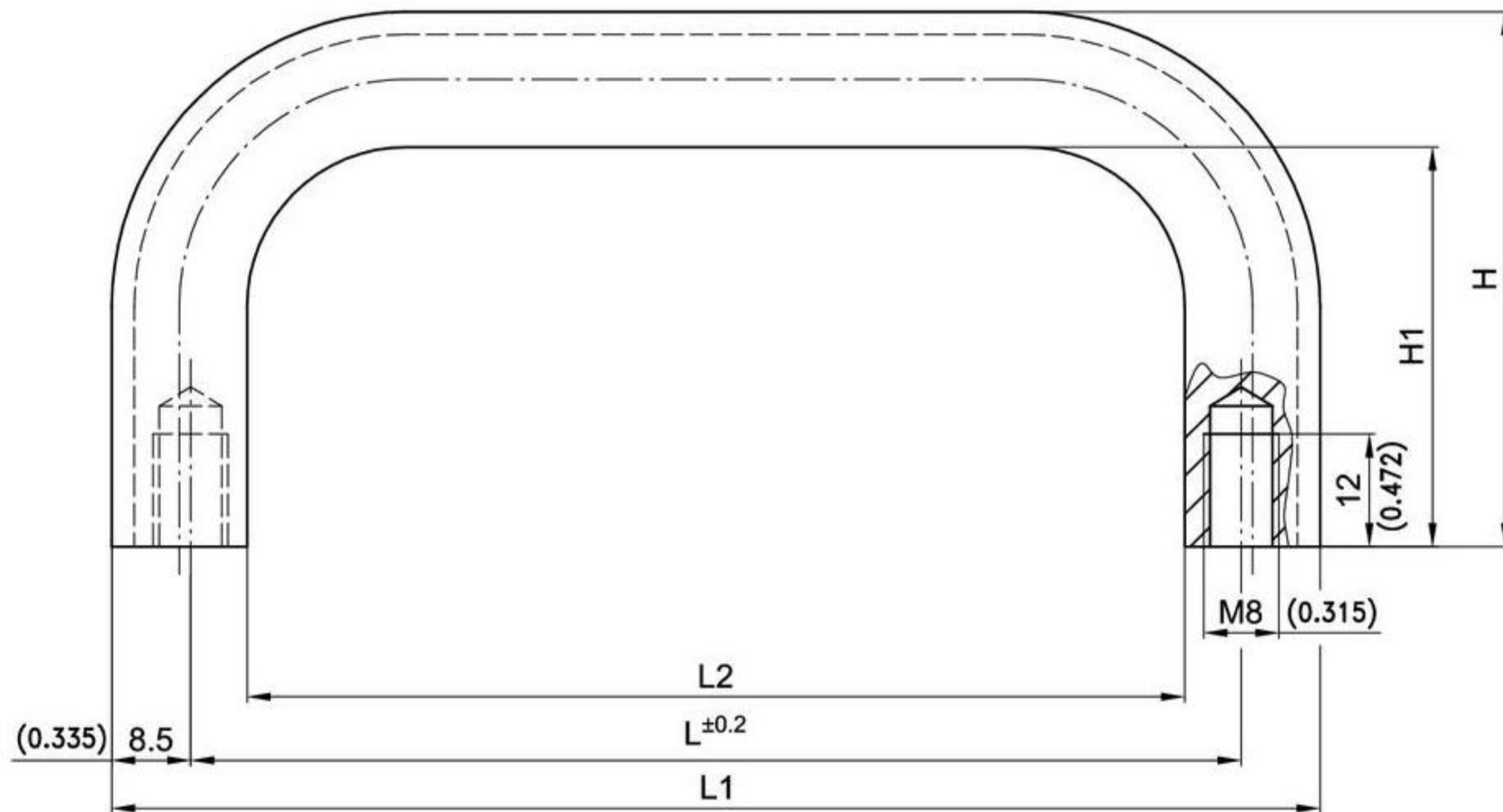
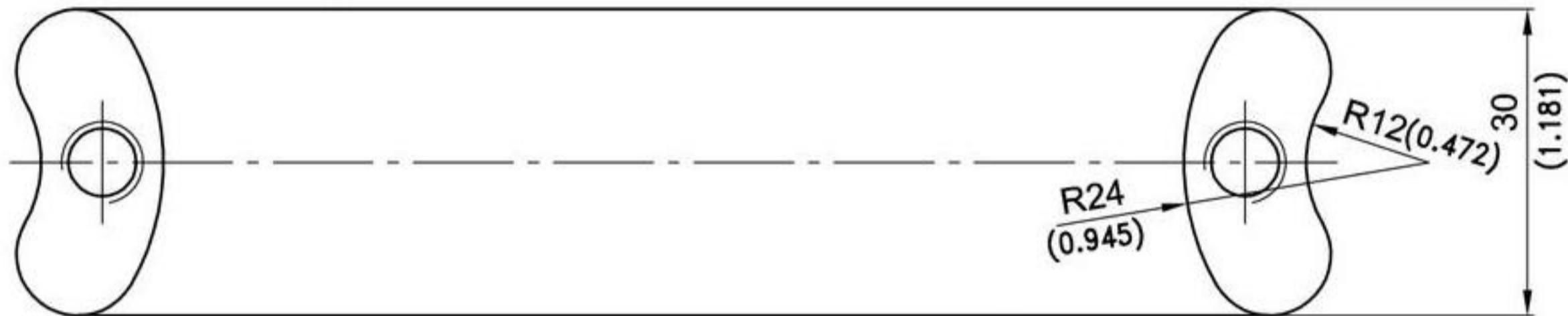
aluminium

Solid aluminium handle.

- The appealing kidney-shaped design makes it human-engineering and easy to use.
- Handles for machine building, tool building, electrical industry, hospital equipment, medical and food processing technology.
- Designed for vertical or horizontal uses.
- For screws M8.

Material:

- aluminium, anodized natural (silver)
- Other surfaces: on request



Machine Handle, kidney-shaped mm / inch	L	L1	L2	H	H1	Aluminium anodized
	128/5.039	145/5.709	116/4.567	57/2.244	42.5/1.673	213-0515.96-00128
	160/6.299	177/6.969	148/5.827	57/2.244	42.5/1.673	213-0515.96-00160
	192/7.559	209/8.228	180/7.087	57/2.244	42.5/1.673	213-0515.96-00192
	350/13.780	367/14.449	338/13.307	57/2.244	42.5/1.673	213-0515.96-00350
	500/19.685	517/20.354	488/19.216	57/2.244	42.5/1.673	213-0515.96-00500

6-1107 Finger Pull Handle

aluminium

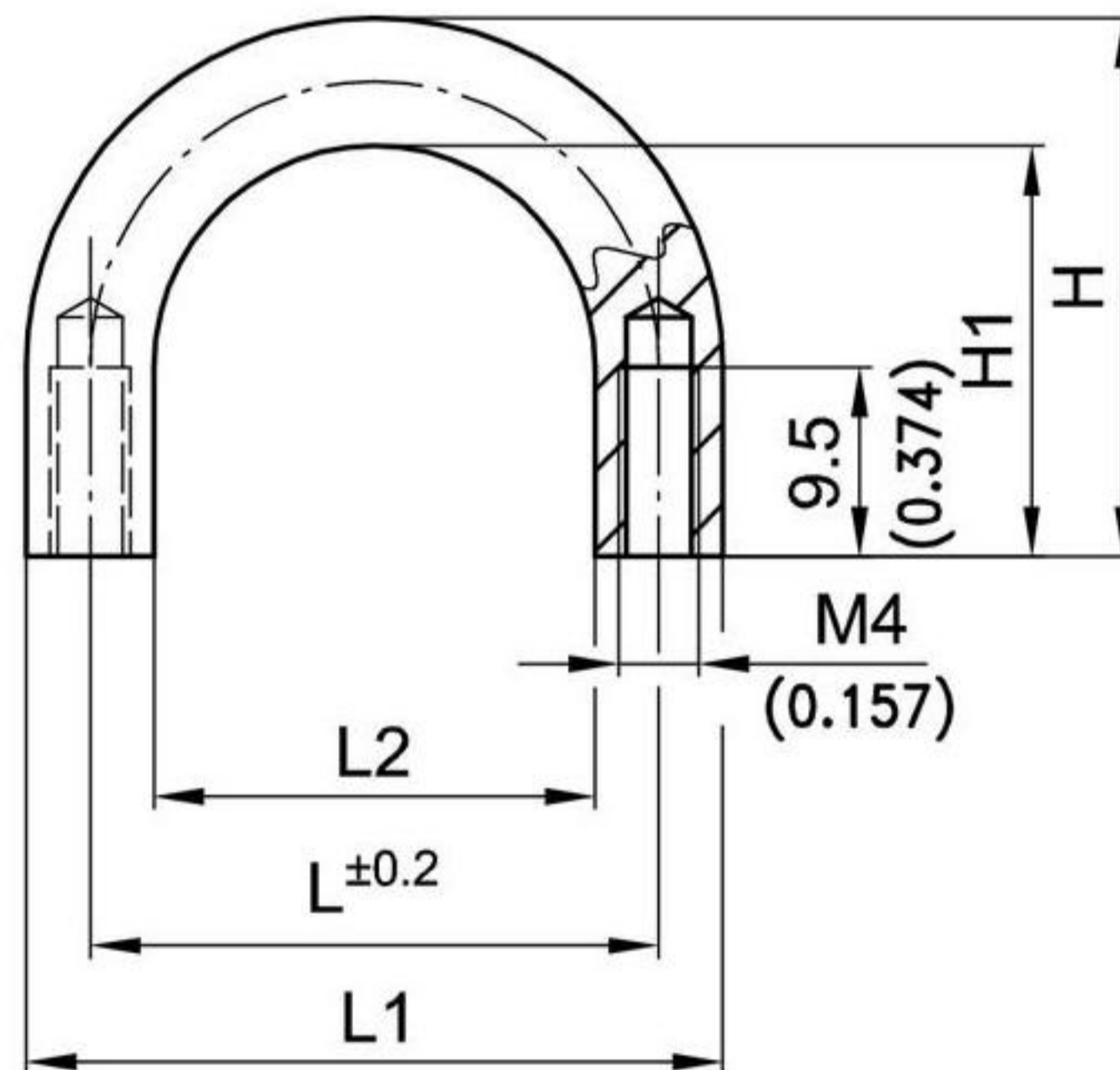
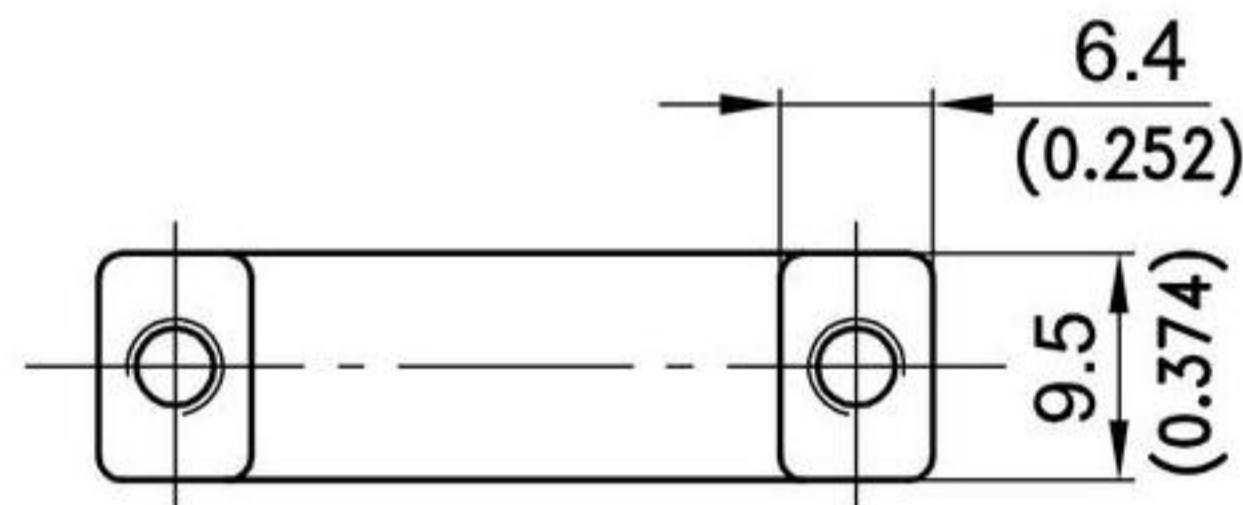


Solid aluminium handle, modern industrial design.

- This Handle is suitable for the computer industry, 19" technology, insertions and equipments and other applications.
- Designed for vertical or horizontal uses.
- For screws M4.

Material:

- aluminium, anodized natural (silver)
- Other surfaces: on request



Finger Pull Handle	L	L1	L2	H	H1	Aluminium anodized
mm / inch	28.5 / 1.122	35 / 1.378	22.2 / 0.874	27 / 1.063	20.5 / 0.807	213-0510.96-00285

6-1108 Bridge Handle

aluminium

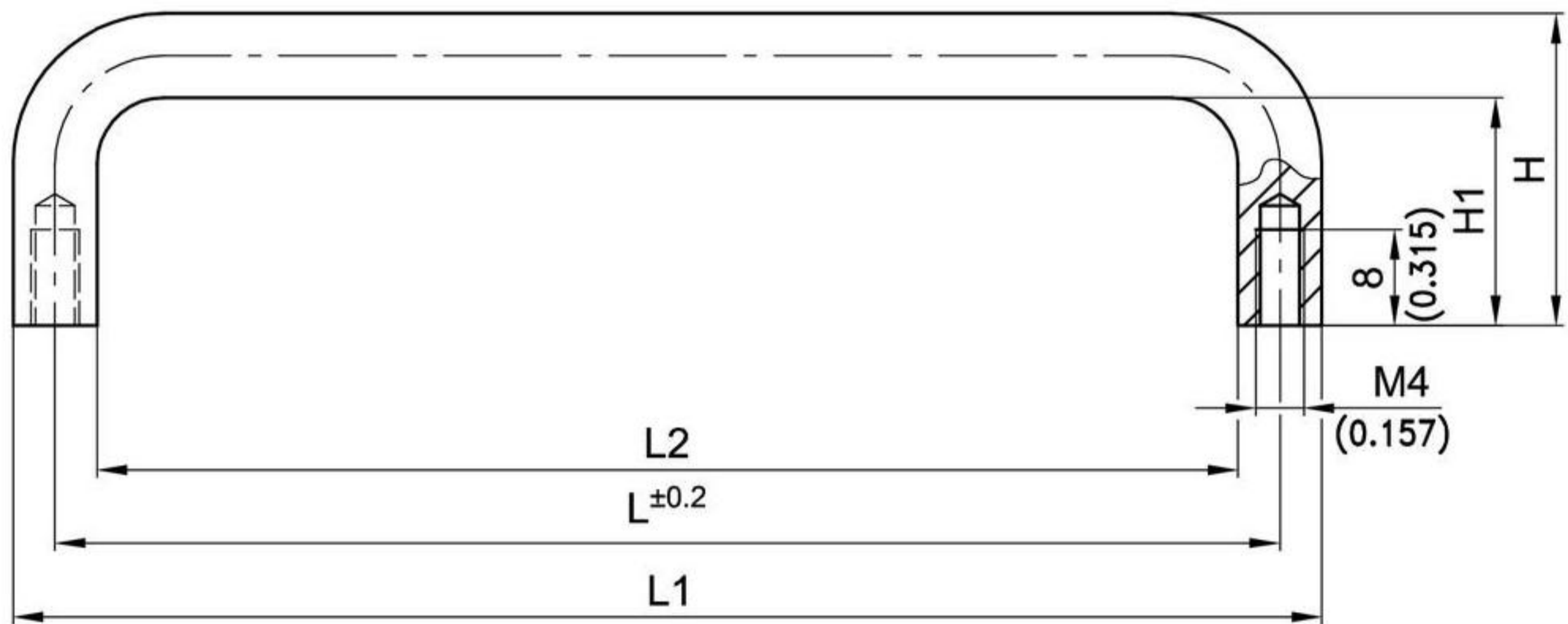
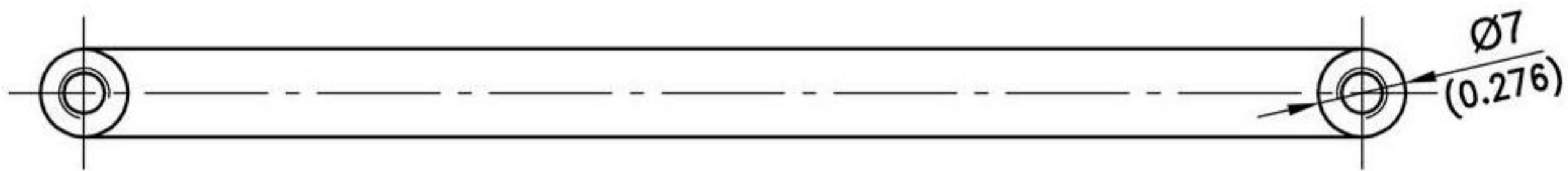


Solid aluminium handle, modern industrial design.

- This Handle is suitable for the computer industry, 19" technology, insertions and equipments and other applications.
- Designed for vertical or horizontal uses.
- For screws M4.
- Finger pull handle in same design see page 08.13.

Material:

- aluminium, anodized natural (silver)
- Other surfaces: on request



Bridge Handle	L	L1	L2	H	H1	Aluminium anodized
mm / inch	96 / 3.780	103 / 4.055	89 / 3.504	26 / 1.024	19 / 0.748	213-0512.96-00096
	128 / 5.039	135 / 5.315	121 / 4.764	26 / 1.024	19 / 0.748	213-0512.96-00128

6-1109 Finger Pull Handle

aluminium

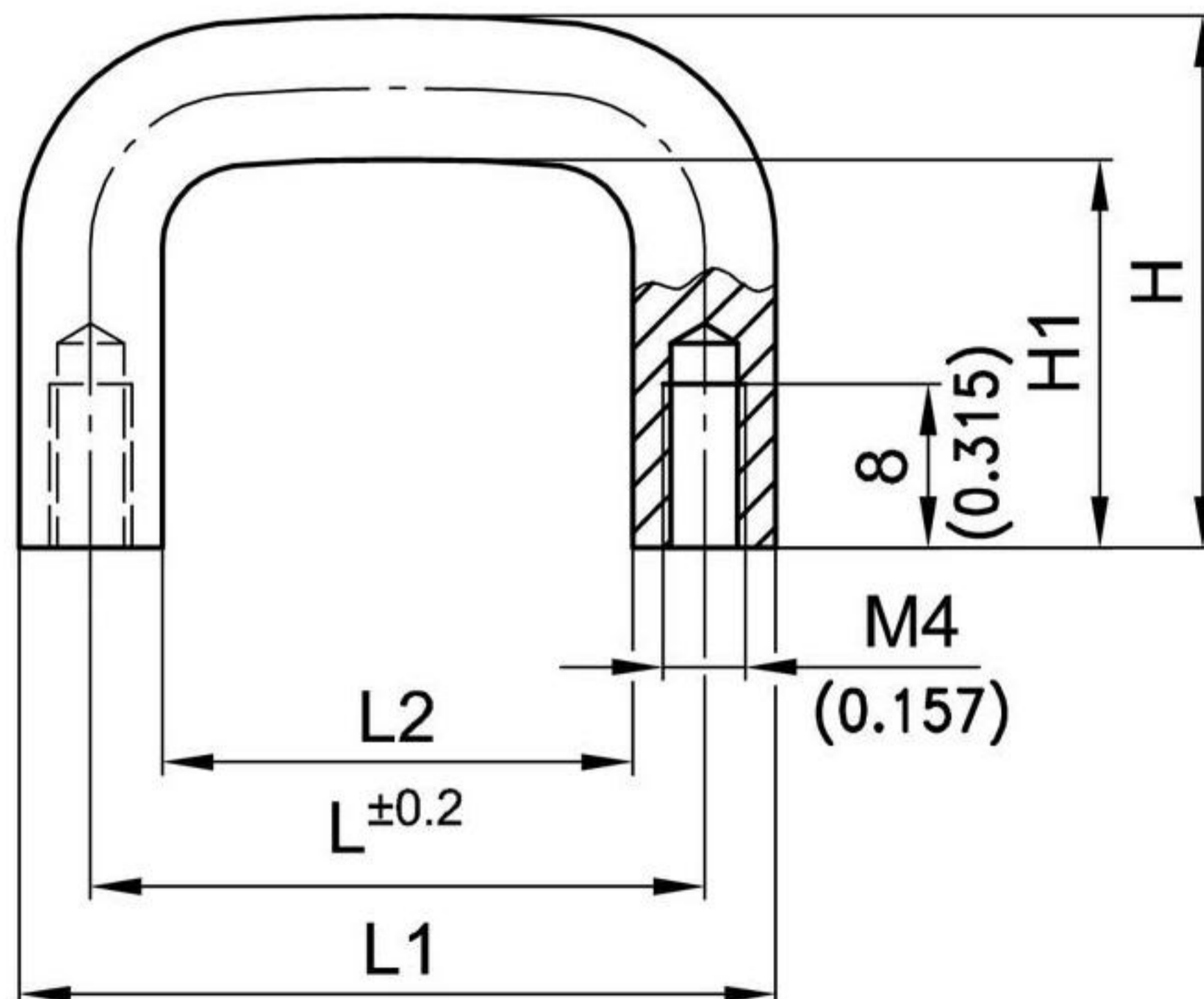
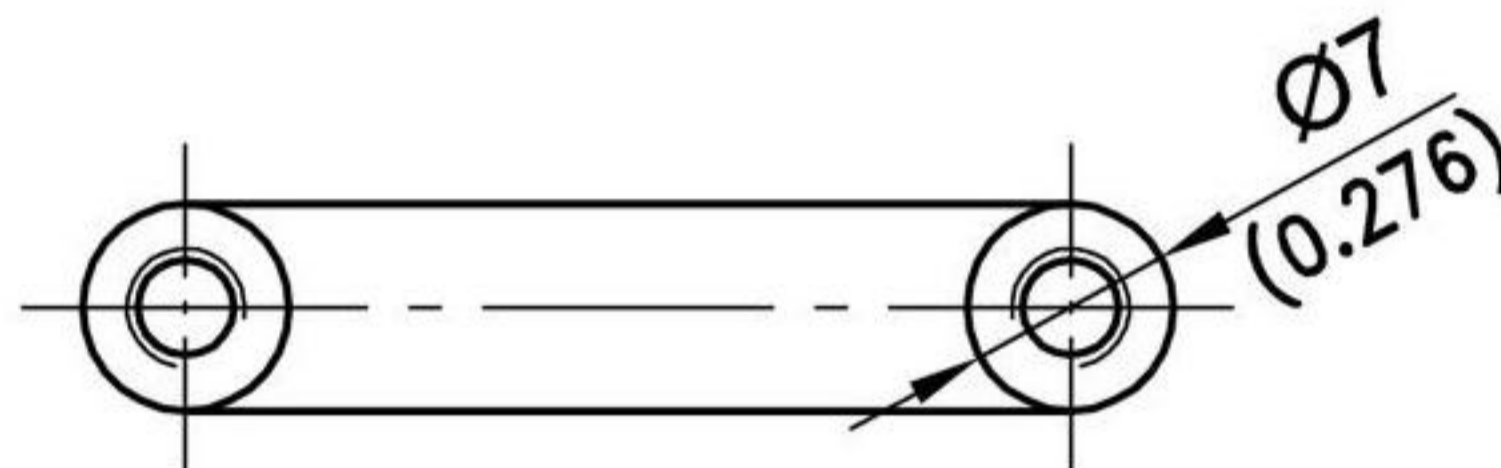


Solid aluminium handle, modern industrial design.

- This Handle is suitable for the computer industry, 19" technology, insertions and equipments and other applications.
- Designed for vertical or horizontal uses.
- For screws M4.
- Bridge Handle same design see page 08.12.

Material:

- aluminium, anodized natural (silver)
- Other surfaces: on request



Bridge Handle	L	L1	L2	H	H1	Aluminium anodized
mm / inch	30 / 1.181	37 / 1.457	23 / 0.906	26 / 1.036	19 / 0.748	213-0511.96-00030
	64 / 2.520	71 / 2.795	57 / 2.244	26 / 1.036	19 / 0.748	213-0511.96-00064