

4-310 Hinge Pr04 180°

Lift-off, for surface mounted door

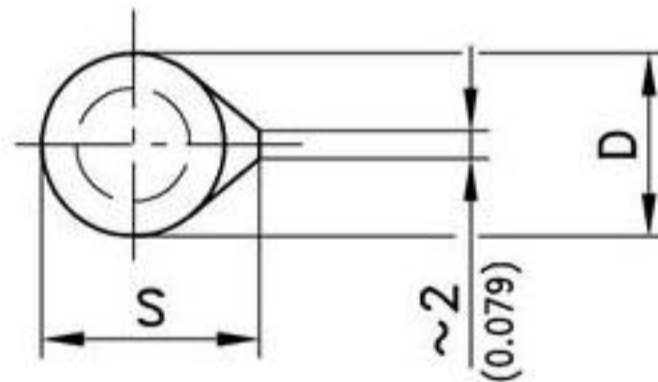
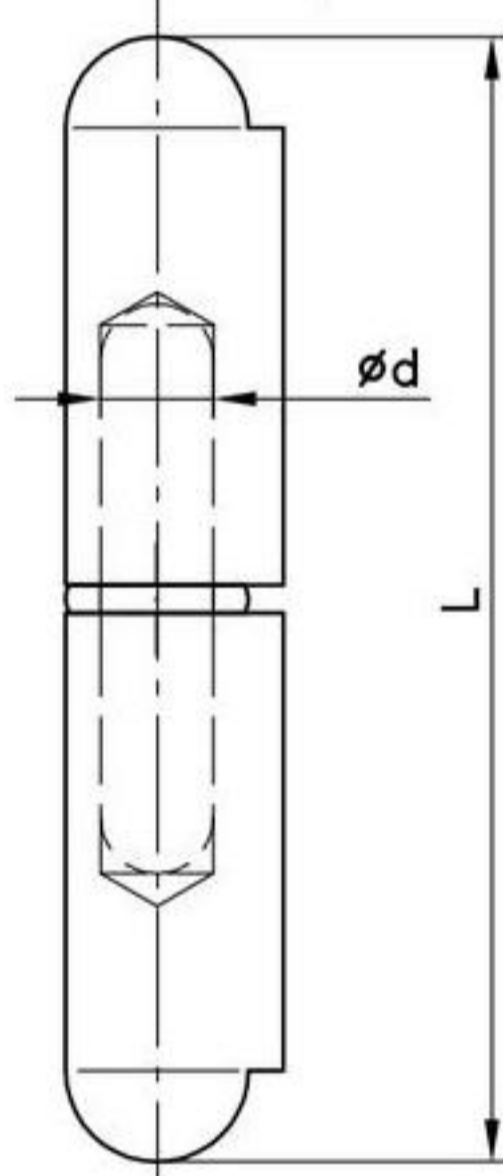


Weld-on hinge.
• Door is lift-off.

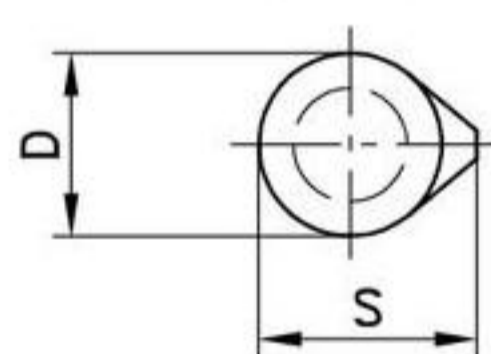
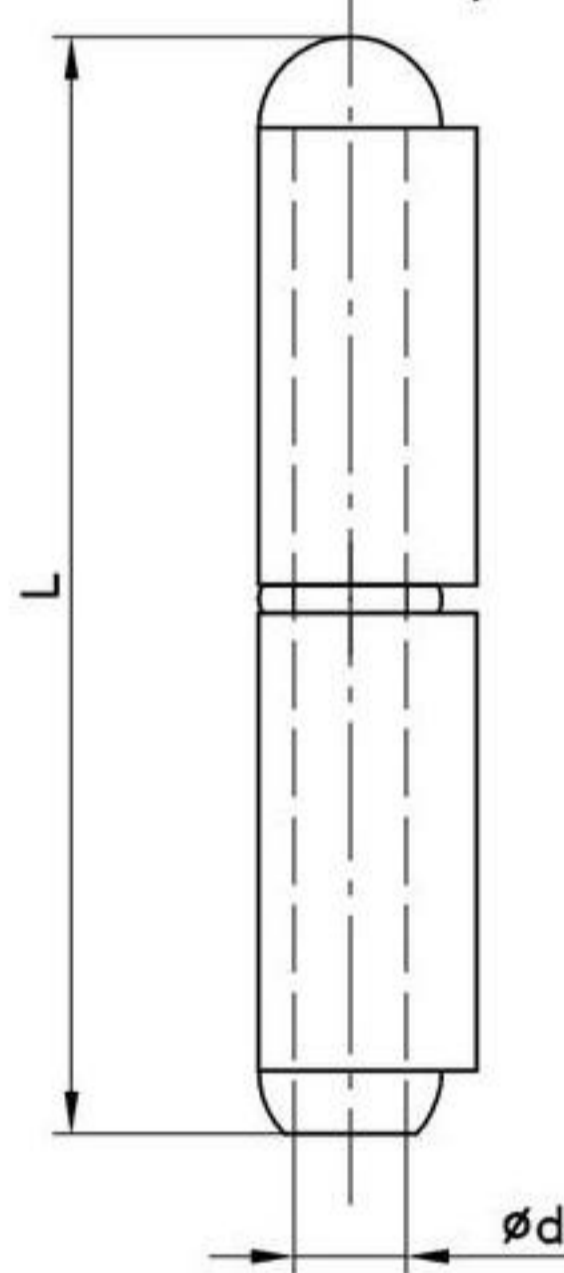
Material:
• **Hinge Parts:**
steel, not plated
• **Pin:**
steel or brass
• **Washer:**
brass



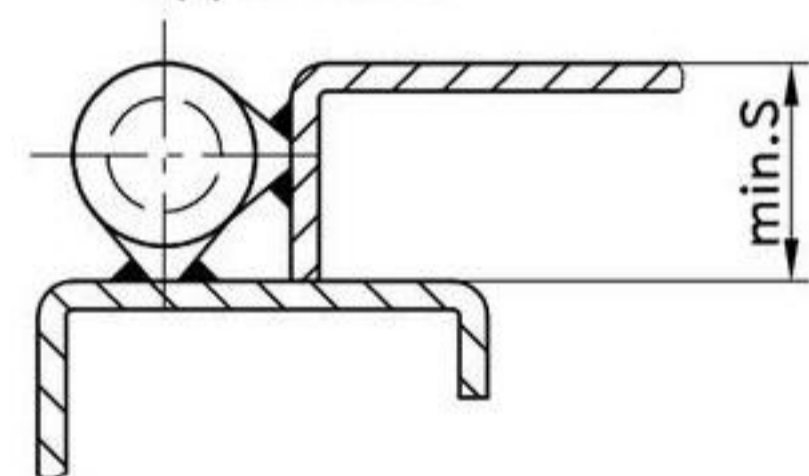
Version A
with fixed pin



Version B
with loose pin



Example of application



Dimensions				Version A		Version B	
L	D	S	d	Steel pin	Brass pin	Steel pin	Brass pin
40	8	10	5	223-9001	223-9101*	223-9201*	223-9301*
50	8	10	5	223-9002	223-9102*	223-9202*	223-9302*
60	10	12	6	223-9003	223-9103*	223-9203*	223-9303*
70	10**	12**	6**	223-9004	223-9104*	223-9204*	223-9304*
80	13	16**	8	223-9005	223-9105*	223-9205*	223-9305*
90	13**	16**	8**	223-9006	223-9106*	223-9206*	
100	16	20	10	223-9007	223-9107*	223-9207	223-9307*
120	16	20	10**	223-9008	223-9108*	223-9208*	223-9308*
135	18	22,5**	12	223-9009	223-9109*	223-9209*	223-9309*
150	20	25,5	13	223-9010	223-9110*	223-9210*	223-9310*
180	20	25,5	13**	223-9011*	223-9111*	223-9211*	
200	23	29**	16	223-9012*	223-9112*	223-9212*	

* Price and delivery time on request

** ATTENTION: For reasons of optimizing our manufacturing process, some dimensions have slightly changed.