

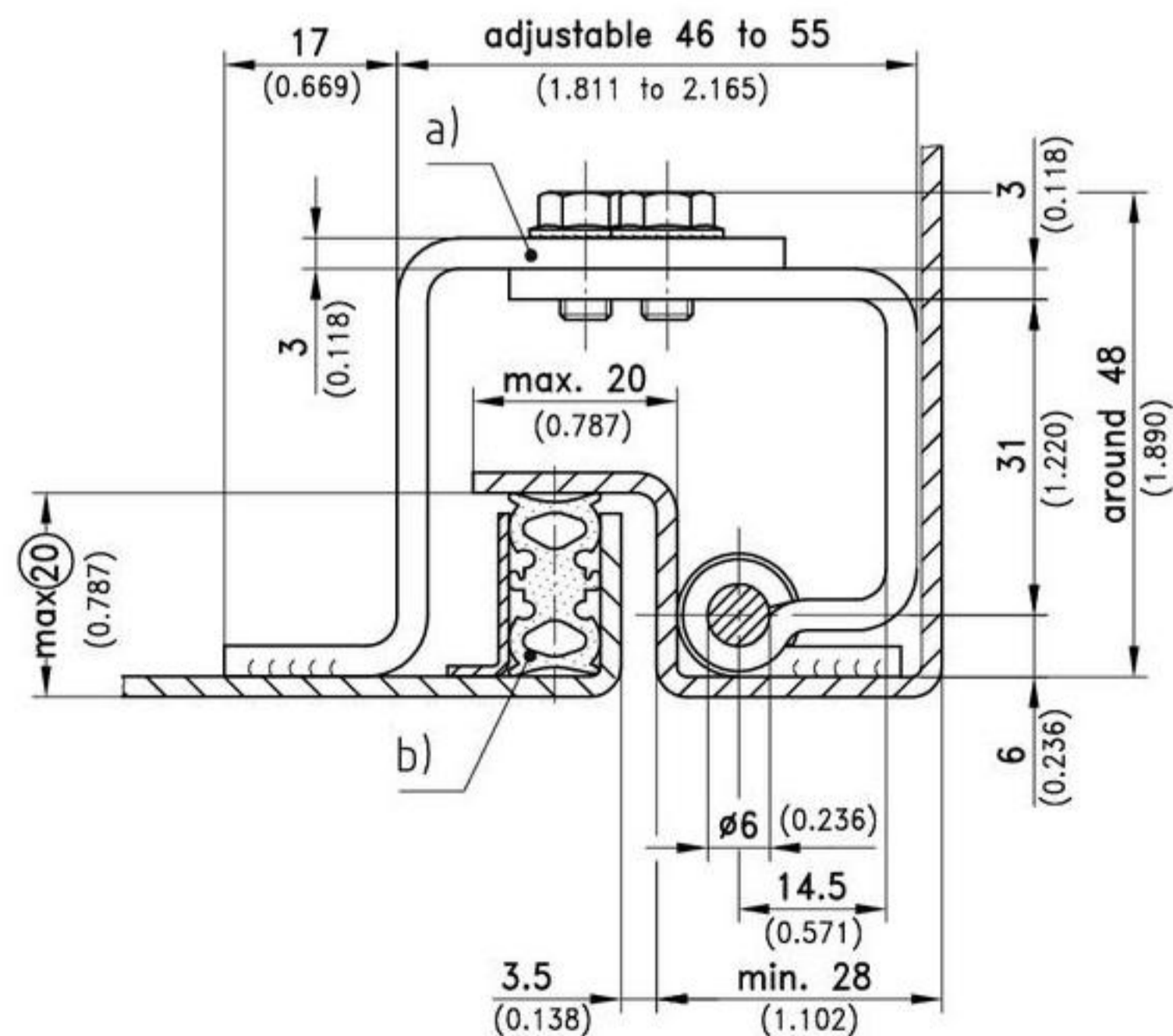
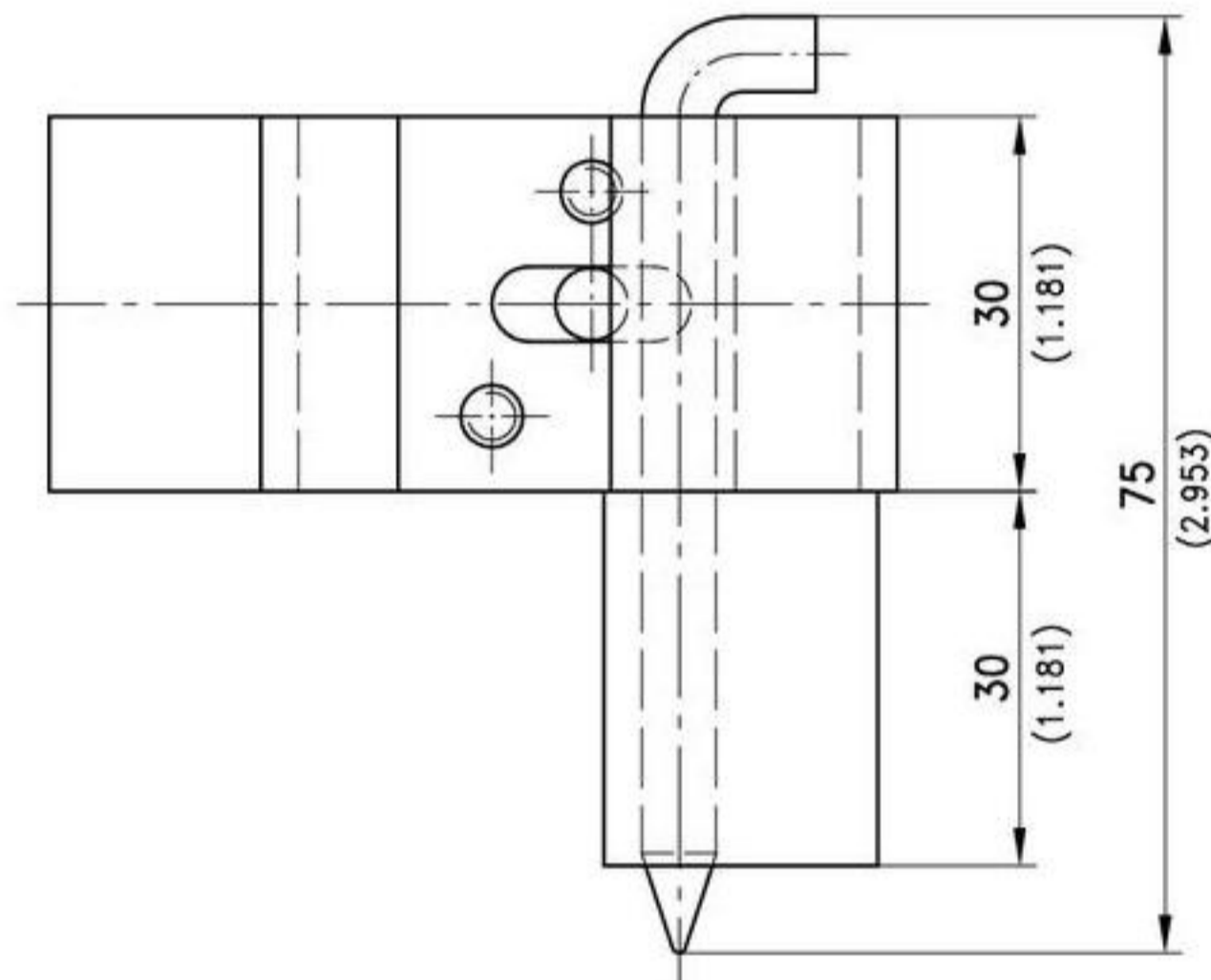
7-107 Concealed Hinge Pr02 90°

stainless steel AISI 304, door bending 20mm, for nested door



Concealed Hinge for RH or LH application. The 2 main hinge parts have a central guide to prevent door sagging during adjustment.
 • RH or LH application.

Material:
 • **Concealed Hinge:**
 stainless steel



	Part No.	see page
a) Concealed Hinge	222-9105	
b) e.g. Sealing profile	209-0122	07.8