

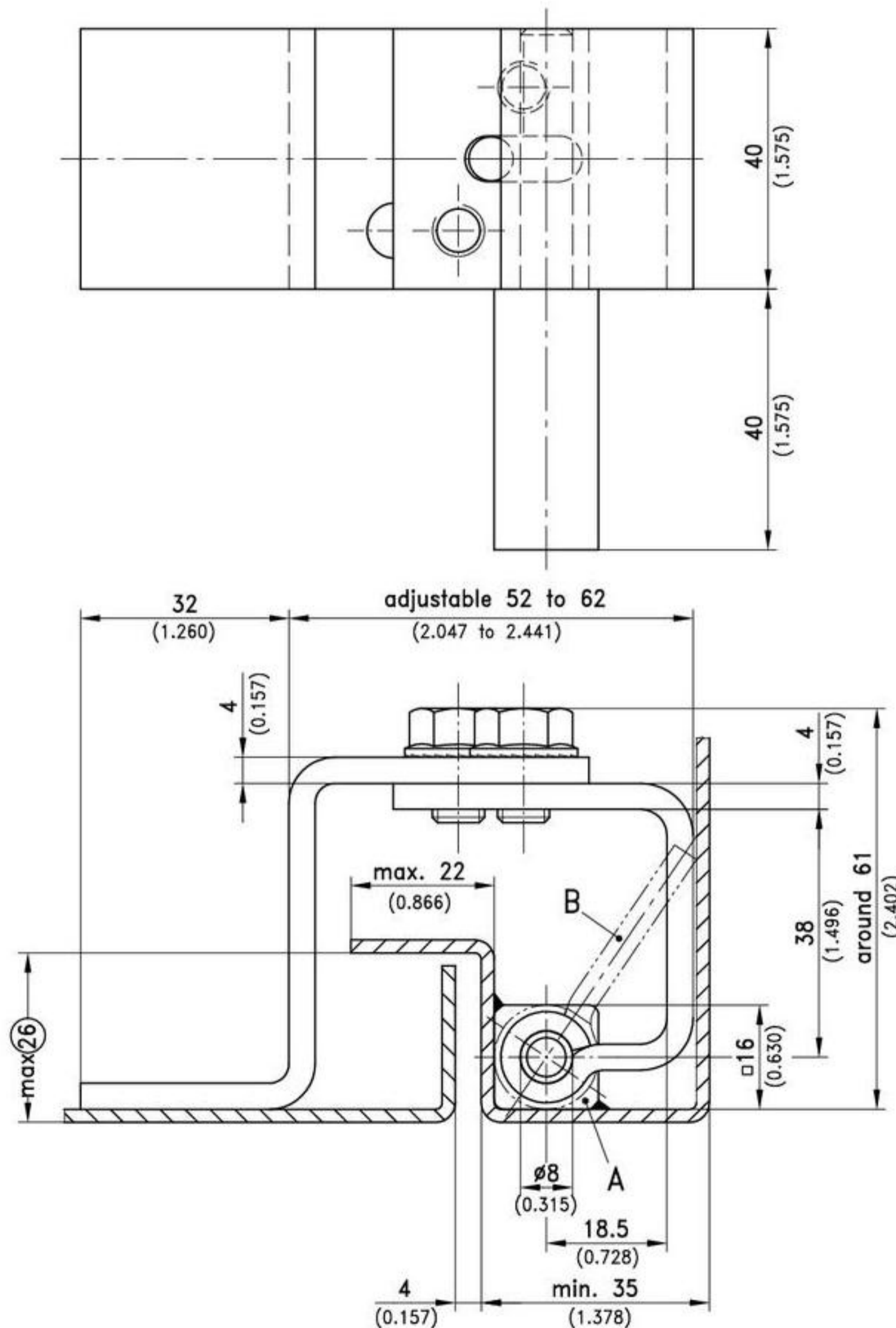
7-108 Concealed Hinge Pr02 90°

stainless steel AISI 304, door bending 26mm, for nested door



Concealed Hinge for RH or LH application. The 2 main hinge parts have a central guide to prevent door sagging during adjustment.
 • RH or LH application.

Material:
 • **Concealed Hinge:**
 stainless steel



A Pivot with $\square 16$

Part No.
222-9102

B Pivot with flap

222-9104