

4-100 Concealed Hinge Pr02 90°

Door bending 20mm for nested door

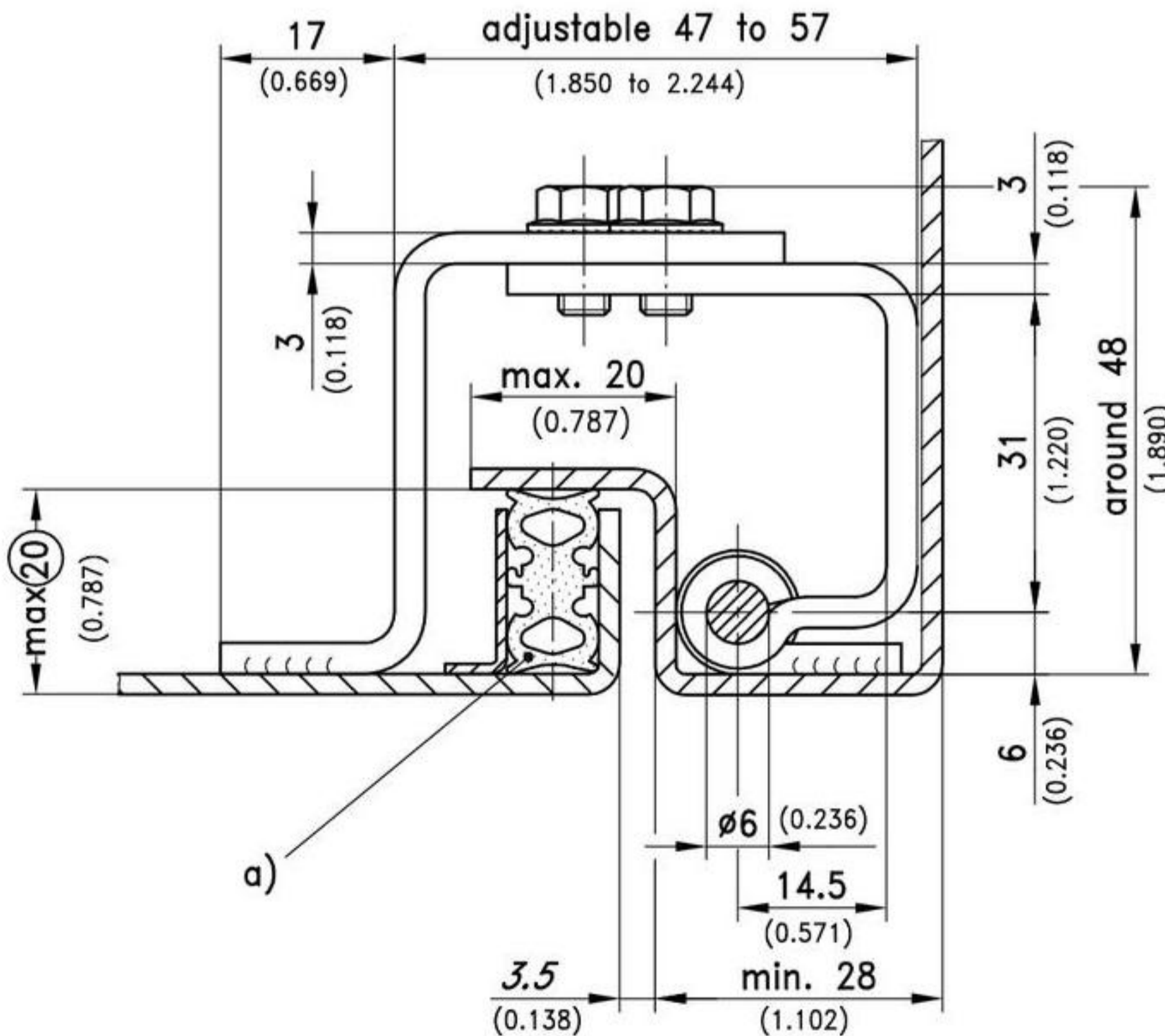
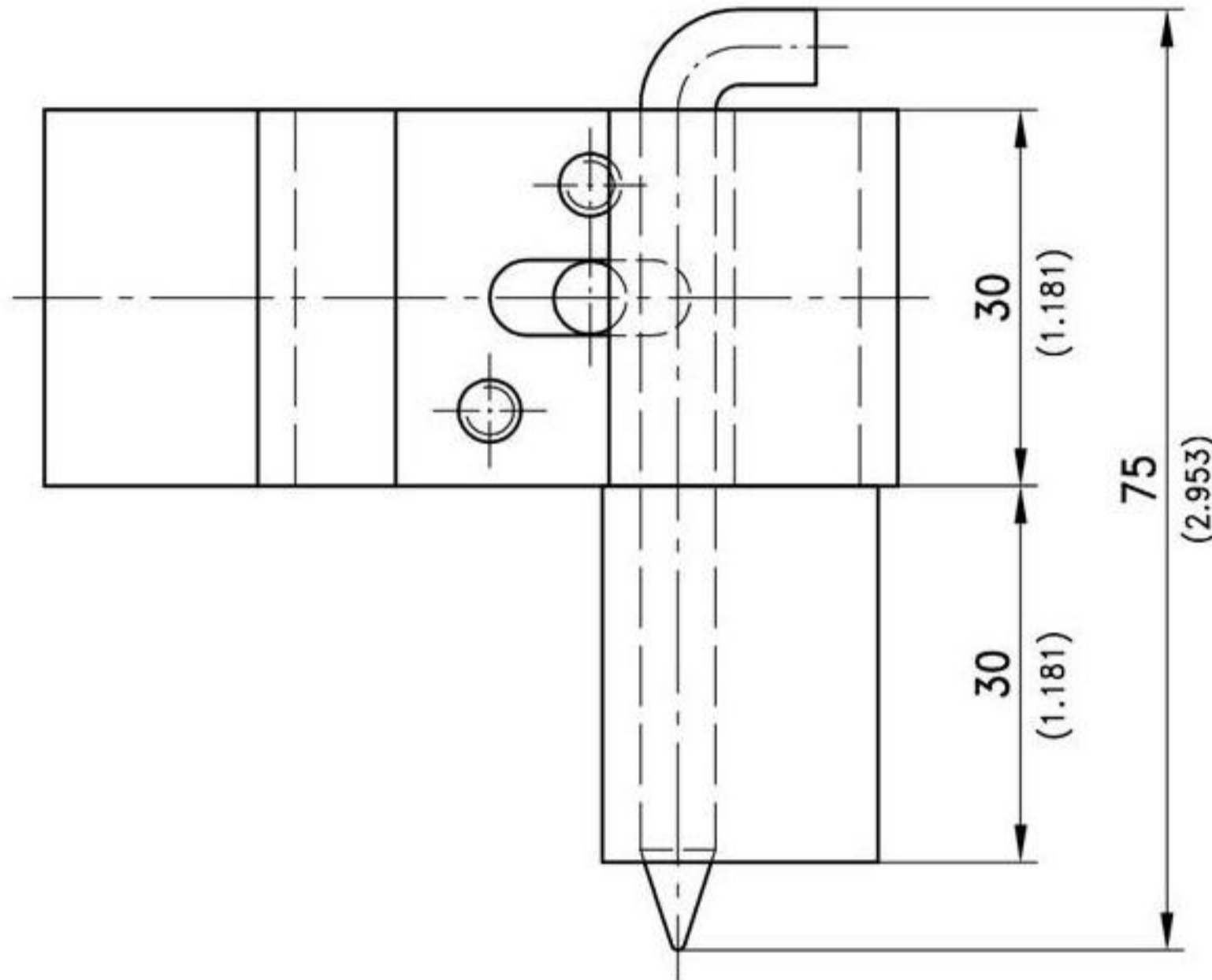


Concealed Hinge for RH or LH application.

- The 2 main hinge parts have a central guide to prevent door sagging during adjustment.

Material:

- U-part:** steel, zinc plated
- Z-part and frame part:** steel, not plated
- Pin:** steel, zinc plated



	Part No.	see page
Concealed Hinge	222-9001	
Stainless steel version		10.52
a) e.g. Sealing profile	209-0122	07.8