

1-045 Compression Latch Pr 14.1

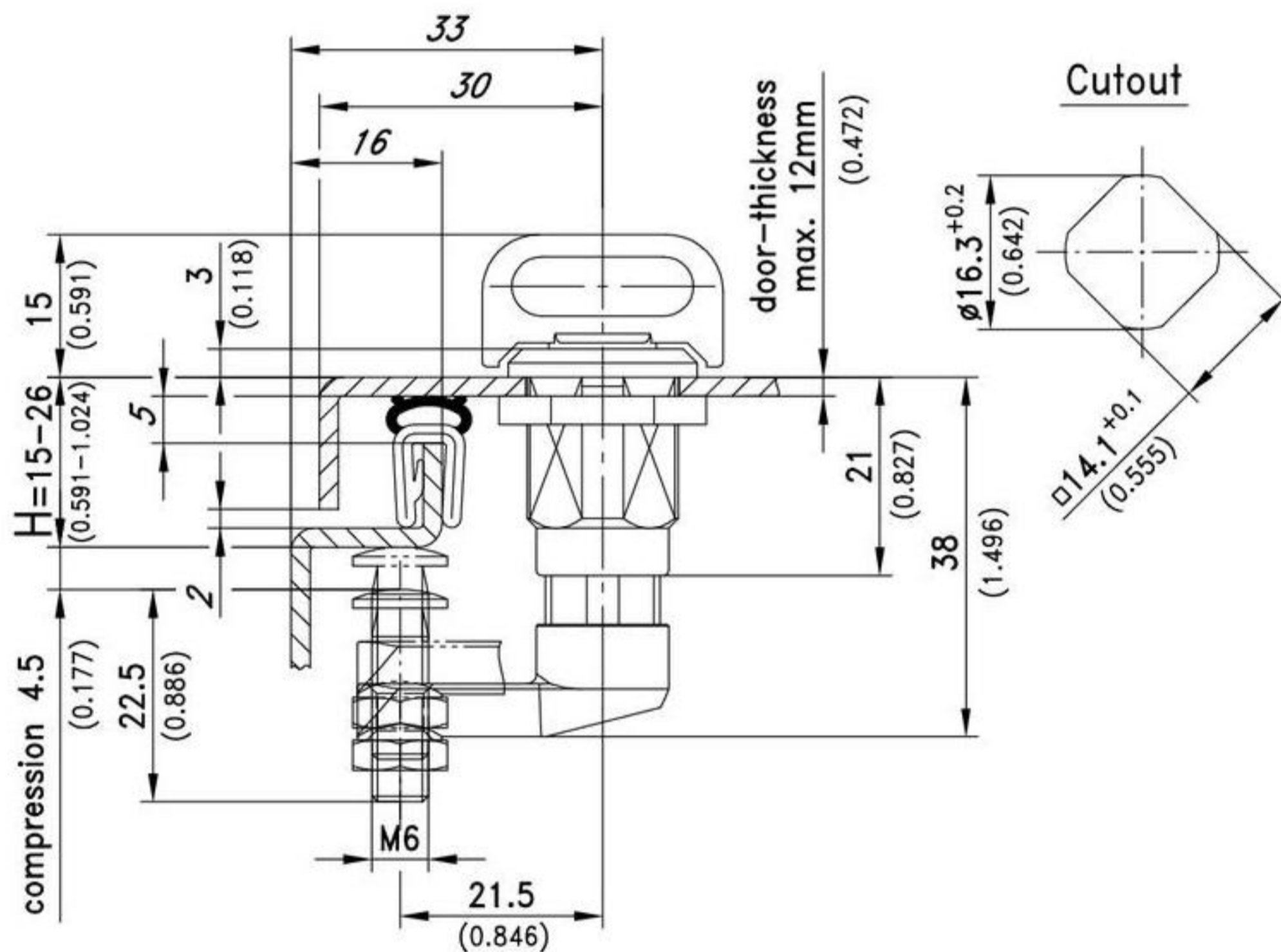


Compression latch with 4.5mm clamping grip.

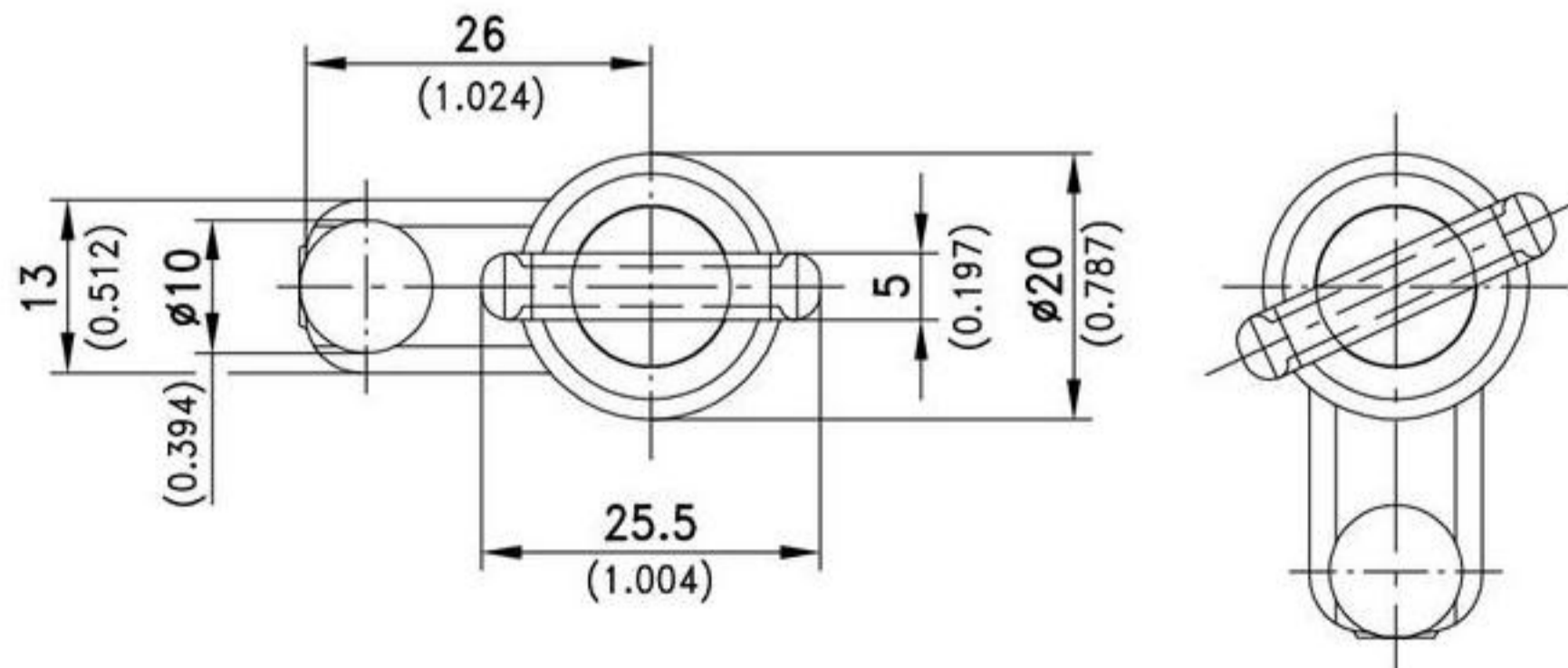
- The closing process is always clockwise.
- By turning the insert 90° the cam is at first put into closed position.
- By turning a further 90°, the cam will be pulled towards the frame.
- The H-dimension can be easily adjusted by the adjusting screw.
- Water- and dust-tight according to IP65 DIN EN 60529.
- A pre-assembled quarter-turn can be fitted through the cutout.

Material:

- **Housing and insert shaft:**
zinc die, black
- **T-Handle:**
PA, black
- **Cam:**
zinc die, black
- **Adjusting screw and nut:**
steel, zinc plated



Position of cam and knob:
"closed and compressed" "open"



- a) Compression latch (as drawn) complete with flat seal, nut and knob
- a1) slotted insert 4mm deep
- a2) socket hexagon (Allen) insert 4mm (5/32")

220-9313
220-9317
220-9318

1-045SL DUAL SNAP-Joiner 30x10

one side detachable.



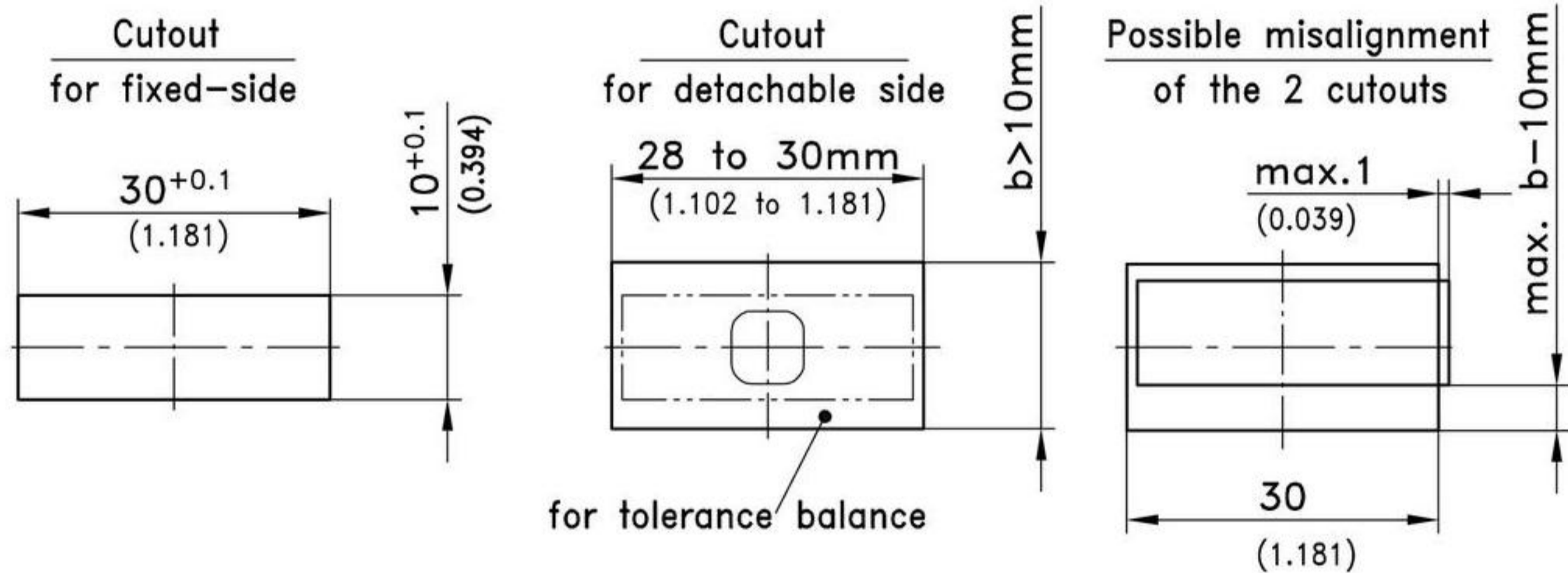
Dual SNAP-Joiner, one side detachable. The Dual SNAP-Joiner has one fixed side and one detachable side.

- Application: Joining 2 sheet metal panels.
- On this page we show a typical, cost saving application:
- Instead of a 3-point locking system, for which we use the rods mainly to prevent a rattling of the top and bottom corners of the door, we show a layout using just one central latching position and prevent rattling by using detachable joiners at both corners of the door.
- No Rods and Rod-Guides are needed.
- The dual SNAP-Joiner keep the door in position and prevent a rattling of the door.

- The cutout for the fixed side is 30x10mm.
- For the detachable side a cutout of 28x10 till 30x16mm is possible depending on the possible misalignment.
- The sheet thicknesses © can be designed differently
- **Other surfaces or colours:** on request

Material:

- **Dual Joiner:** PA, black or zinc die, black
- **Snap wedges:** sintered steel



Fixed side: clamping range $\text{©}1$	pull-off force ©	PA, black	zinc die, black	see page
0,7 - 1,2	~15N	295-9001.52-10001	295-9001.33-10001	
1,2 - 1,7	~15N	295-9001.52-15001	295-9001.33-15001	
1,7 - 2,2	~15N	295-9001.52-20001	295-9001.33-20001	
2,2 - 2,7	~15N	295-9001.52-25001	295-9001.33-25001	
2,7 - 3,2	~15N	295-9001.52-30001	295-9001.33-30001	
0,7 - 1,2	~30N	295-9001.52-10003	295-9001.33-10003	
1,2 - 1,7	~30N	295-9001.52-15003	295-9001.33-15003	
1,7 - 2,2	~30N	295-9001.52-20003	295-9001.33-20003	
2,2 - 2,7	~30N	295-9001.52-25003	295-9001.33-25003	
2,7 - 3,2	~30N	295-9001.52-30003	295-9001.33-30003	
0,7 - 1,2	~50N	295-9001.52-10005	295-9001.33-10005	
1,2 - 1,7	~50N	295-9001.52-15005	295-9001.33-15005	
1,7 - 2,2	~50N	295-9001.52-20005	295-9001.33-20005	
2,2 - 2,7	~50N	295-9001.52-25005	295-9001.33-25005	
2,7 - 3,2	~50N	295-9001.52-30005	295-9001.33-30005	
Cover for cutout 30x10		292-0401.00-03010	292-0401.00-03010	01.106, 01.107
Reinforcement plate for thin-walled sheets and for higher loads:		292-0702.15-01030	292-0702.15-01030	01.108
Tool for uninstallation		292-0306.80-02530	292-0306.80-02530	01.109



1-045SL DUAL SNAP-Joiner 30x10

one side detachable.

