

1-053 Cylinder Quarter-Turn Pr14.1 L13.5

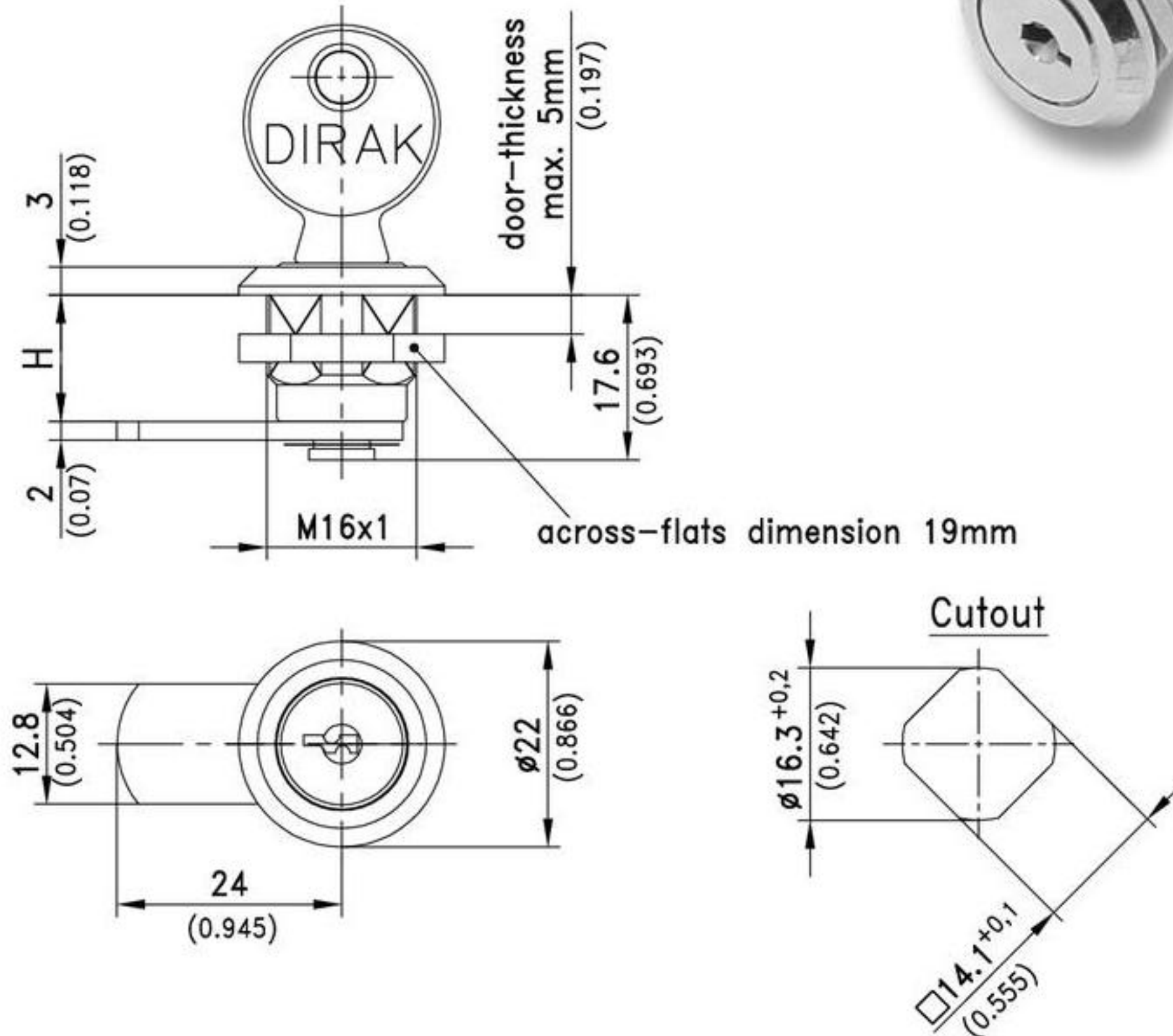


Cylinder Quarter-Turn with 90° rotation, nut fixing.

- A pre-assembled Quarter-Turn can be installed in the cutout.

Material:

- **Housing:** zinc die, chrome plated or black coated
- **Cylinder:** zinc die, chrome plated
- **Nut and cam:** steel, zinc plated



Locking type	H in mm	Housing, zinc die, chrome plated		with grounding/earthing nut	
		with standard nut	with grounding/earthing nut	with standard nut	with grounding/earthing nut
		with standard nut	with grounding/earthing nut	with standard nut	with grounding/earthing nut
		riveted cam*	cam fixed with c-clip	riveted cam*	cam fixed with c-clip
keyed alike	7,5	220-9207	(220-9207.00-07200)	220-9213	(220-9213.00-07200)
DIRAK 2233X	13,5 (drawn)	220-9208	(220-9208.00-07200)	220-9214	(220-9214.00-07200)
	19,5	220-9209	(220-9209.00-07200)	220-9215	(220-9215.00-07200)
keyed different/mixed	7,5	220-9210	(220-9210.00-07200)	220-9216	(220-9216.00-07200)
	13,5 (drawn)	220-9211	(220-9211.00-07200)	220-9217	(220-9217.00-07200)
	19,5	220-9212	(220-9212.00-07200)	220-9218	(220-9218.00-07200)

*ATTENTION: The door thickness of the quarter-turns with riveted cam must not exceed 3mm!

Locking type	H in mm	Housing black matt	
		with standard nut	with standard nut
		with standard nut	with standard nut
		cam fixed with c-clip	cam fixed with c-clip
keyed alike	7,5	(220-9220.00-07200)	(220-9220.00-07200)
DIRAK 2233X	13,5 (drawn)	(220-9221.00-07200)	(220-9221.00-07200)
	19,5	(220-9222.00-07200)	(220-9222.00-07200)
keyed different/mixed	7,5	(220-9223.00-07200)	(220-9223.00-07200)
	13,5 (drawn)	(220-9224.00-07200)	(220-9224.00-07200)
	19,5	(220-9225.00-07200)	(220-9225.00-07200)

Special cams

All locks supplied with two keys.