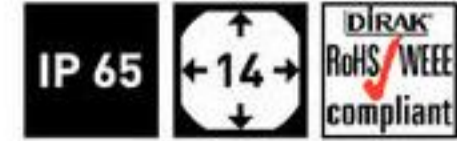


7-050 Quarter-Turn Pr14.1 L13.5

stainless steel AISI 316

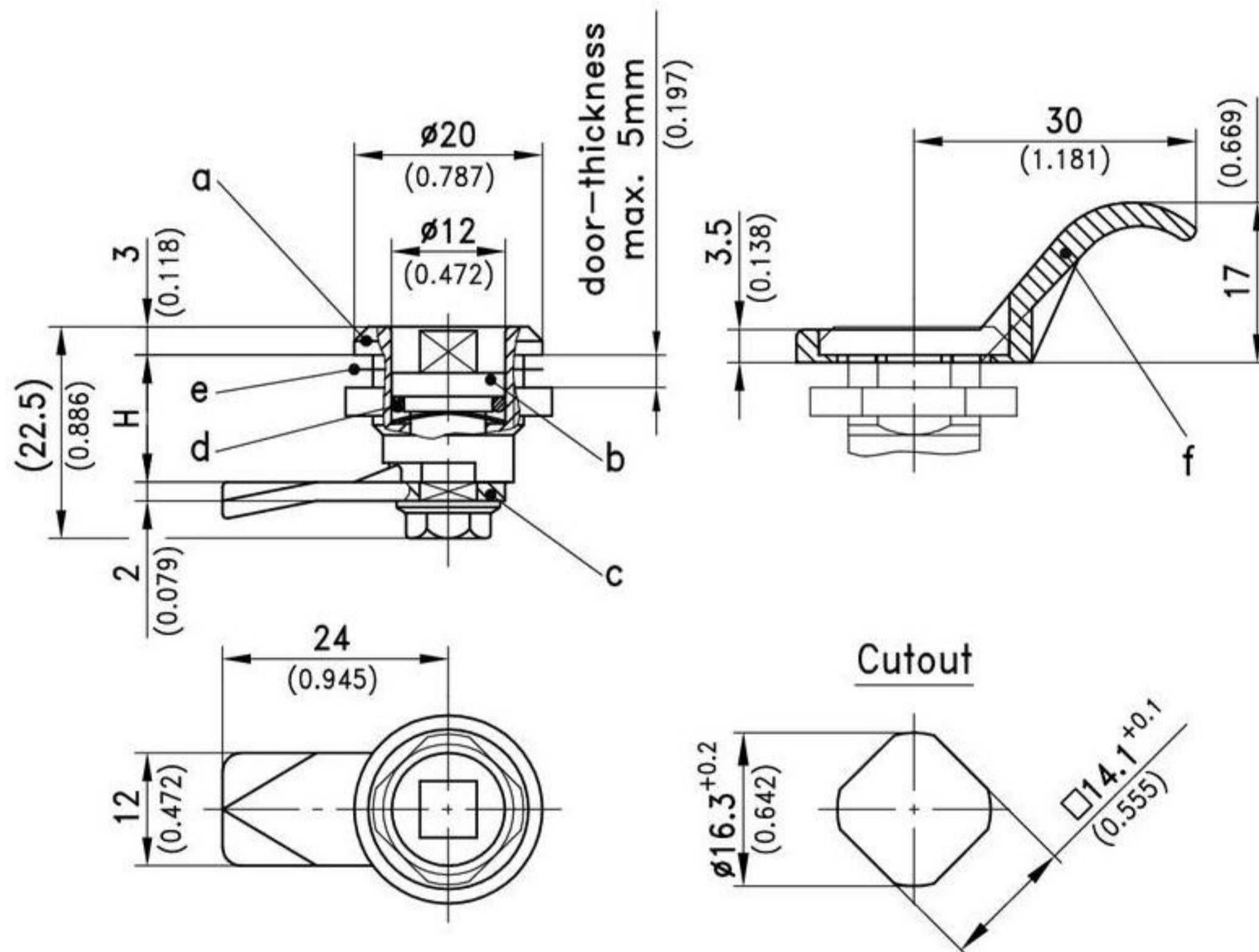


Quarter-Turn, RH or LH application.

- The Quarter-Turn consists of three basic components which can be combined to suit your application.
- On request parts can be assembled by DIRAK.
- A pre-assembled Quarter-Turn can be installed in the cutout and combined with finger pull of page 05.6.

Material:

- **Housing, Insert, screw, serrated washer and wave washer and cam:**
stainless steel
- **Key:**
zinc die
- **Finger pull:**
PA, black



	Key (zinc die)	see page
a) Housing with nut	220-9018	
b) Insert with screw, serrated washer and wave washer		
Triangular 6.5	220-9121	204-0112
Square 6	220-9120	204-0111
Slotted 1,5	220-9122	
c) Cam H in mm		
7,5	220-0503.04	
13,5	220-0501.04	
19,5	220-0502.04	
Optional:		
Water and dust tight according to IP65 by:		
d) O-ring	220-0601	
e) Flat external seal	220-0701	
f) Finger pull	220-1301	02.80
When using finger pull the H dimension decreases by 0.8mm!		
g) Assembling	220-0001	
Assembling with O-ring	220-0002	