

1-048 Quarter-Turn L13.5



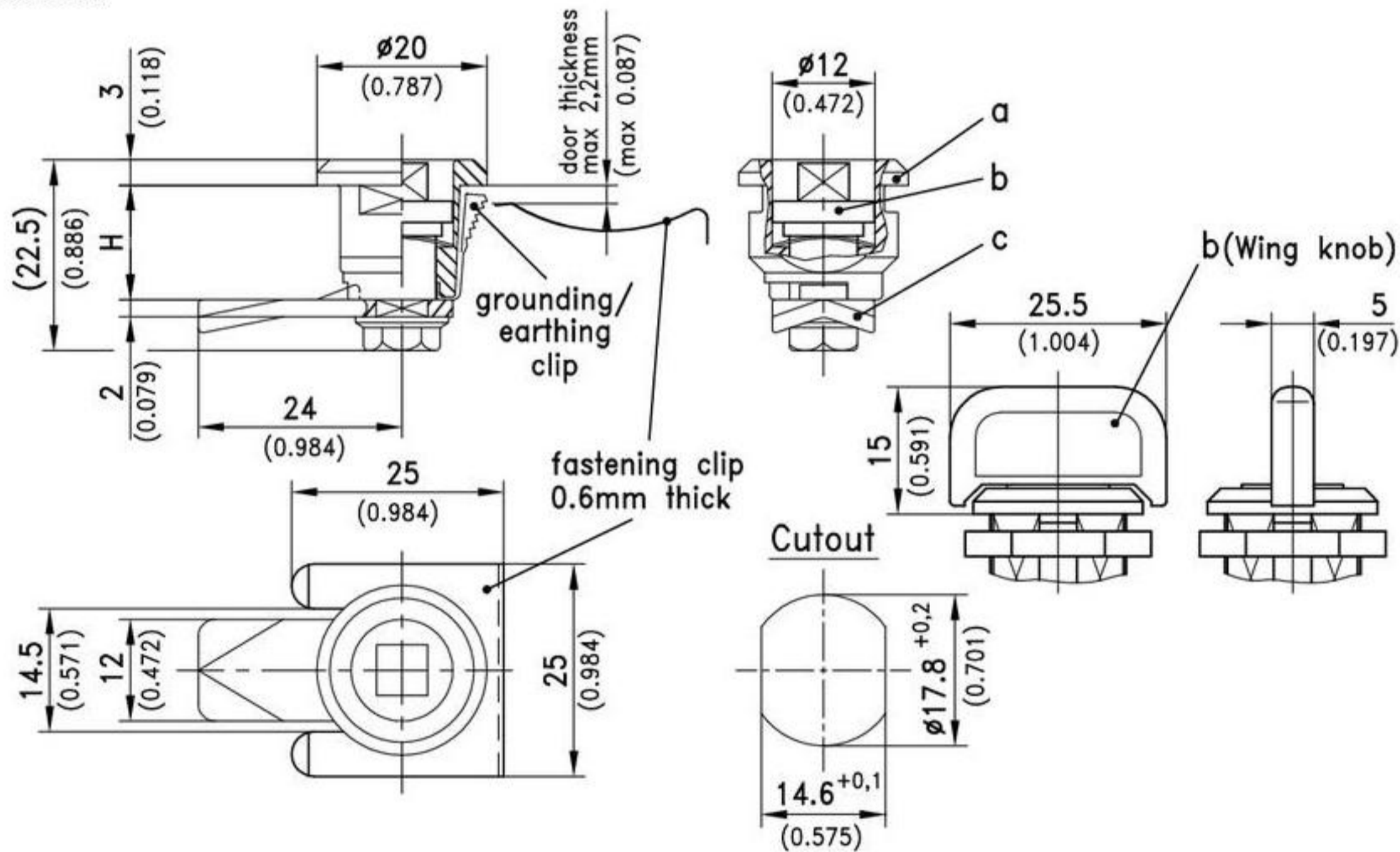
This Quarter-Turn consists of three basic parts which can be combined to suit your application.

- On request parts can be assembled by DIRAK.
- A pre-assembled Quarter-Turn can be installed in the cutout.
- Max. IP54.

Material:

- a)
- **Housing:** PA, black or zinc die, chrome plated
 - **Fixing clip:** steel, zinc plated
 - **Grounding/Earthing clip:** stainless steel

- b)
- **Insert:** zinc die, chrome plated or black coated or combination of PA, black/zinc die
 - **Screw and wave washer:** steel, zinc plated
 - **Key:** zinc die
 - c)
 - **Cam:** steel, zinc plated



a) Housing	PA, black	zinc die, chrome plated	see page
RH with fixing clip	220-9501	220-9013	
RH with fixing clip and grounding/earthing clip	220-9503	220-9007	
Attention: On LH doors the opening direction is clockwise, this is different to the description			02.08
b) Insert	PA, black and zinc die	zinc die, chrome plated	zinc die, black
with screw and wave washer			key (zinc die)
Triangular 6.5	-	220-9101	220-9104
Square 6	-	220-9102	220-9105
Slotted 1,5	-	220-9103	220-9106
Socket hex. 4mm (5/32")	-	220-9118	220-9119
Socket hex. 6mm	-	220-9107	-
Wing Knob*	220-9117	-	-
c) Cam H in mm/inch	steel, zinc plated		
7,5	220-0503	220-0503	220-0503
13,5	220-0501	220-0501	220-0501
19,5	220-0502	220-0502	220-0502
Special cams			
Optional:			
d) Assembling	220-0001	220-0001	220-0001
*Assembling to b) Wing Knob cam 90° to Wing Knob	220-0006	-	-