

1-050 Quarter-Turn Pr14.1 L 13.5



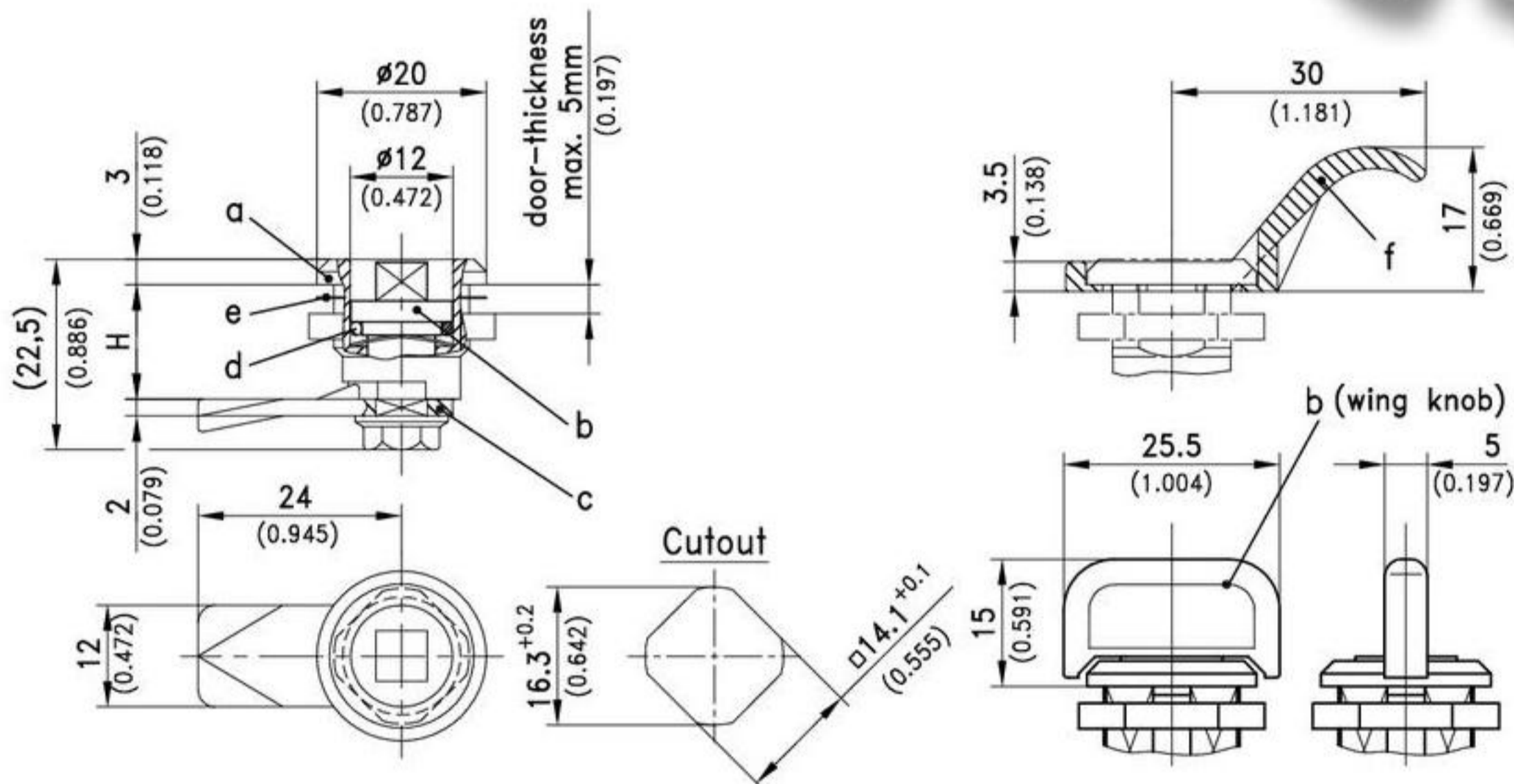
Quarter-Turn, RH or LH application. The Quarter-Turn consists of three basic components which can be combined to suit your application.

- On request parts can be assembled by DIRAK.
- A pre-assembled Quarter-Turn can be installed in the cutout and combined with the finger pull of page 05.6.

Material:

- a) **Housing:** zinc die, black or chrome plated or PA black

- b) **Insert:** zinc die, chrome plated or black coated or combination of PA, black/ zinc die
- Screw and wave washer:** steel, zinc plated
- Key:** zinc die
- c) **Cam:** steel, zinc plated
- f) **Finger pull:** PA, black



Housing	PA, black	zinc die, chrome plated	zinc die, black	key, zinc die	see page
a) with nut	220-9020	220-9001	220-9003		
with grounding/earthing nut	220-9021	220-9002	220-9004		
with nut and grounding/earthing nut	220-9022	220-9005	220-9006		
b) Insert with screw and wave washer					
Triangular 6.5	-	220-9101	220-9104	204-0112	
Square 6	-	220-9102	220-9105	204-0111	
Slotted 1,5	-	220-9103	220-9106	-	
Socket hex. 4mm (5/32")	-	220-9118	220-9119	-	
Socket hex. 6mm	-	220-9107	-	-	
Wing Knob, PA black / zinc die*	220-9117	-	-	-	
c) Cam H in mm steel zinc plated					
7,5	220-0503	220-0503	220-0503		
13,5	220-0501	220-0501	220-0501		
19,5	220-0502	220-0502	220-0502		
Special cams					02.19
Optional:					
Water and dust tight according to IP65 by:					
d) O-ring	220-0601	220-0601	220-0601		
e) Flat external seal:	220-0701	220-0701	220-0701		
f) Finger pull:	220-1301	220-1301	220-1301		
When using finger pull the H-dimension decreases by 0.8mm!					
g) Assembling	220-0001	220-0001	220-0001		
Assembling with O-ring	220-0002	220-0002	220-0002		
*Assembling to b) Wing Knob cam 90° to wing Knob	220-0006	-	-		
*Assembling to b) Wing Knob cam 90° to Wing Knob, with O-ring	220-0007	-	-		