

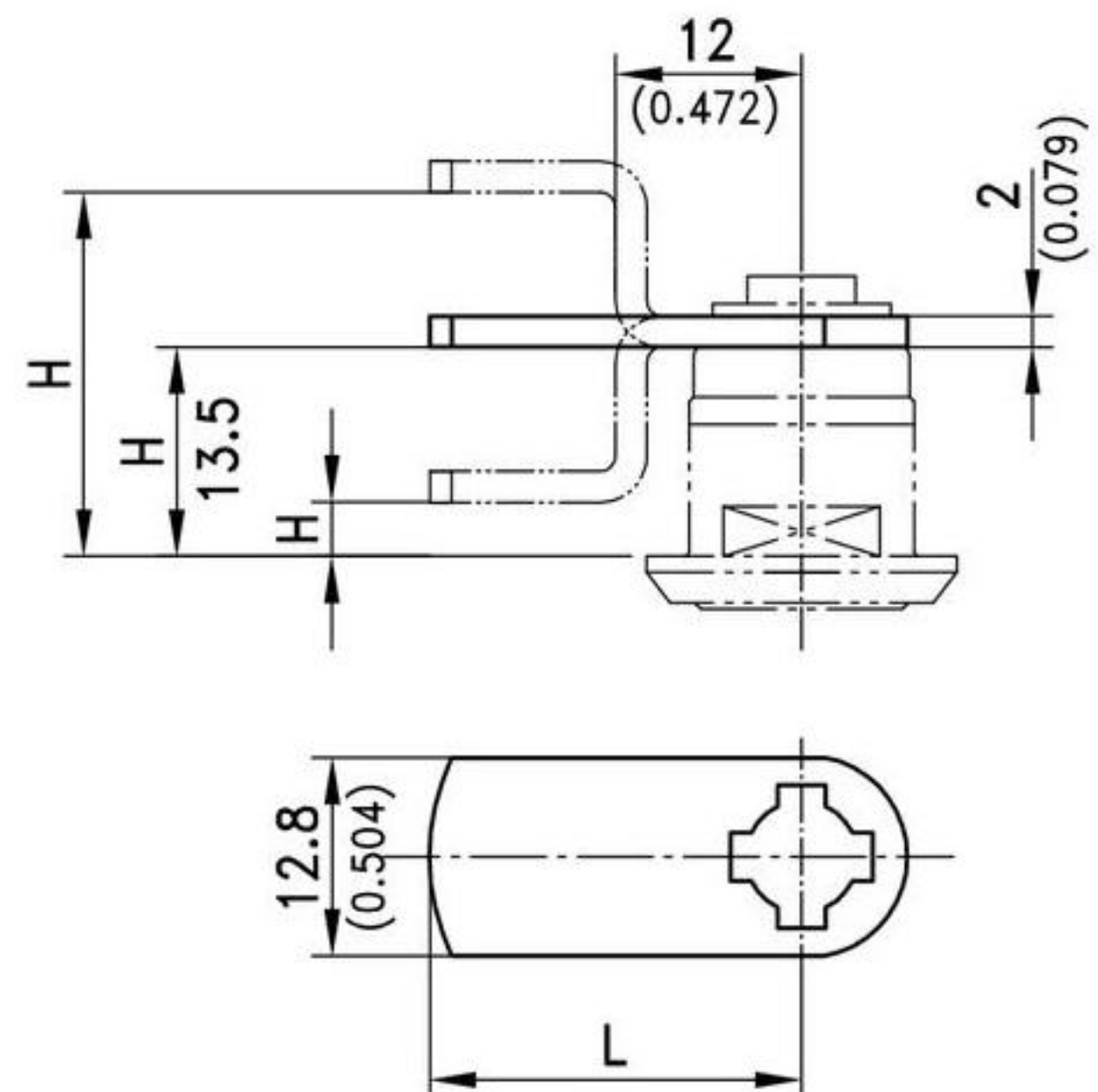
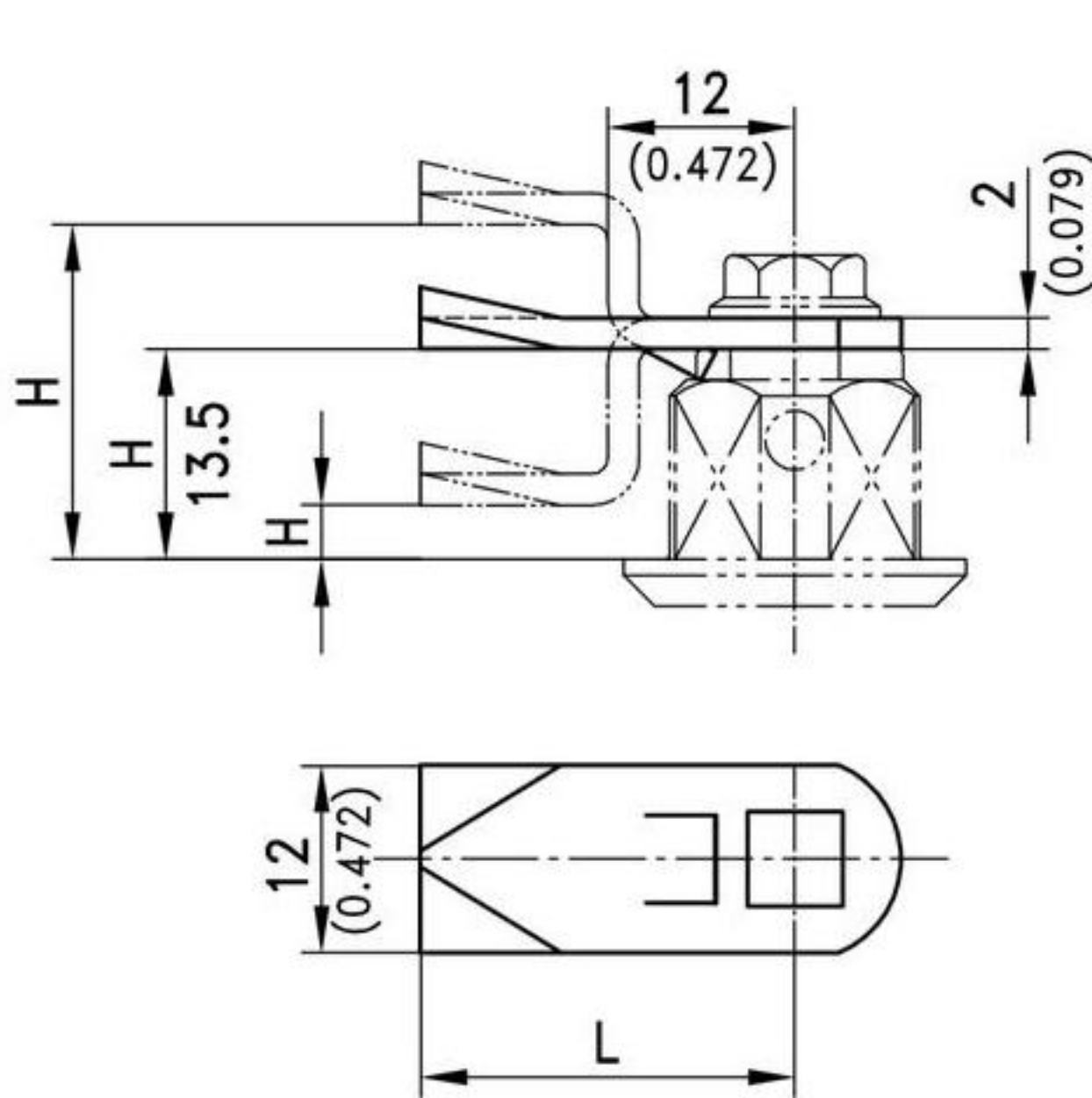
1-058 Cams:

L and H variable for series 220.



Special cams for Quarter-Turn series 220.

Material:
 • Cams:
 steel, zinc plated



Part No. for cams with square-connection and variable L- and H-dimensions

L- and H-dimensions, see page 02.18, 02.13, 02.15 or 02.16:

220-1000.00-00000

L in mm _____ H in mm

Example for cam with square-connection with L=24 and H=34

220-1024.00-00034

Minimum order quantity and delivery time on request.

Part No. for cams with star-connection and variable L- and H-dimensions

L- and H-dimensions, see page 02.14 or 02.17:

220-2000.00-00000

L in mm _____ H in mm

Example for cam with star-connection with L=24 and H=34

220-2024.00-00034

Minimum order quantity and delivery time on request.