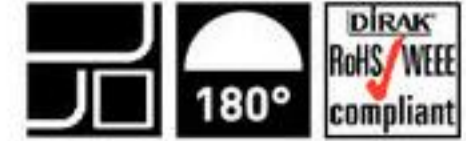


4-220 Hinge Pr04 180°

for surface mounted door / explosion-tight



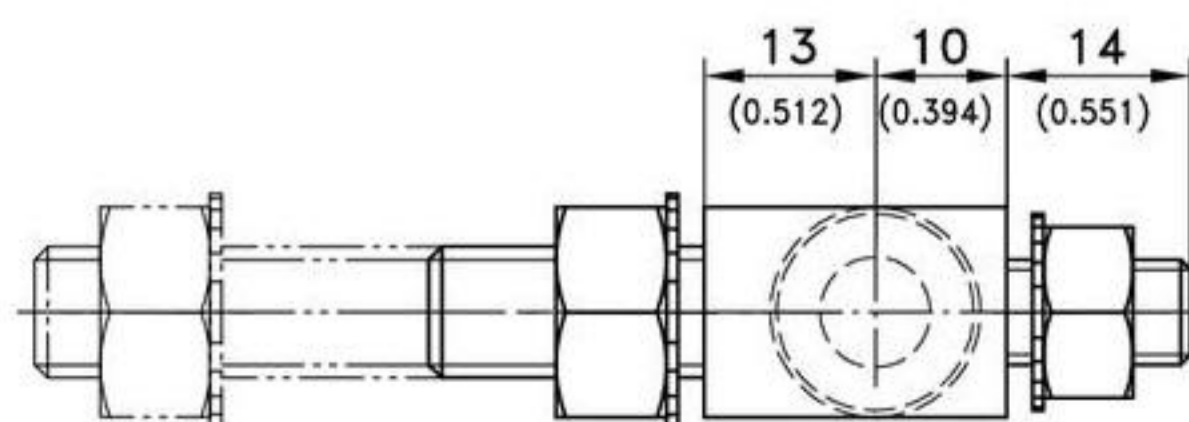
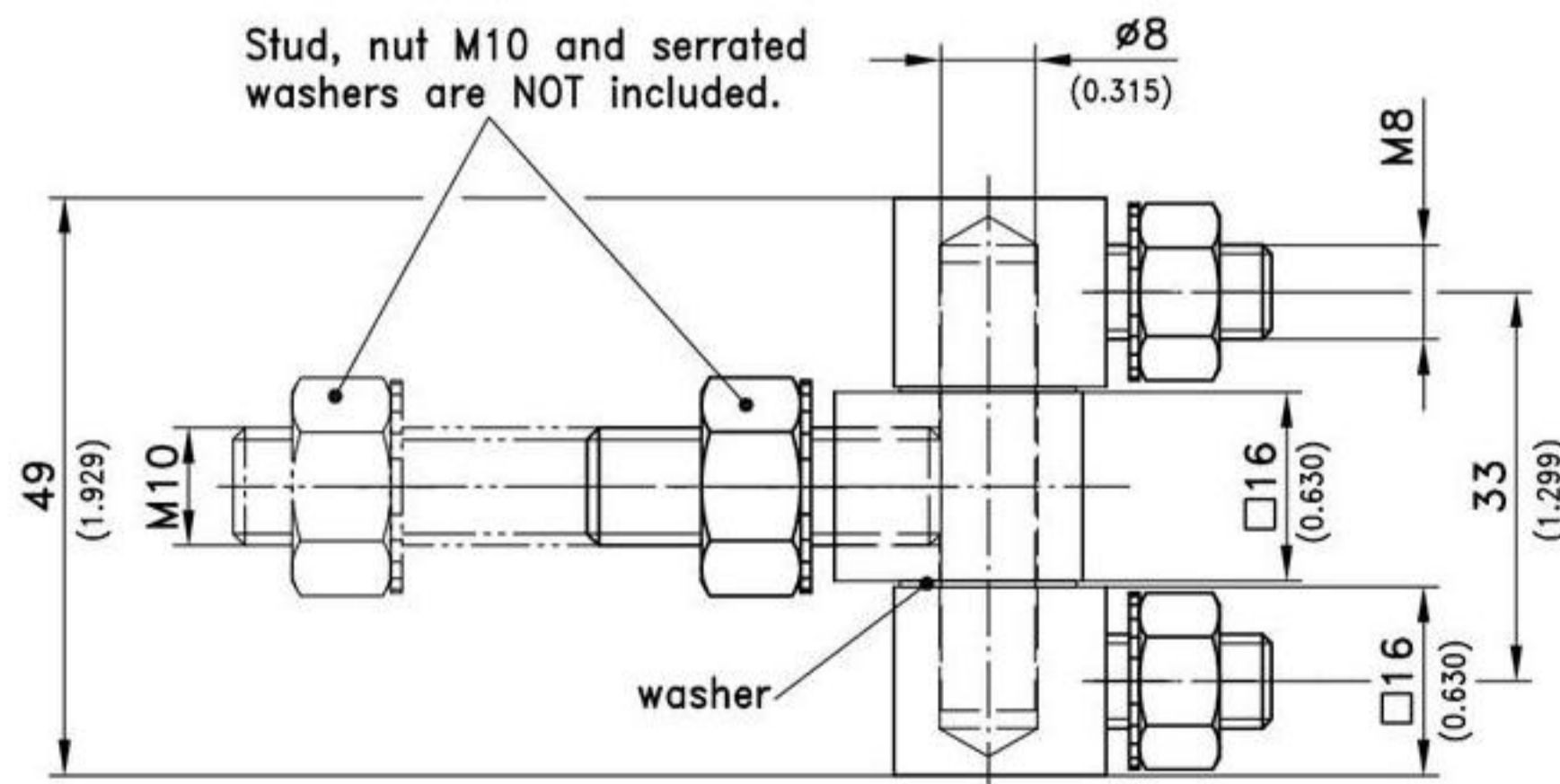
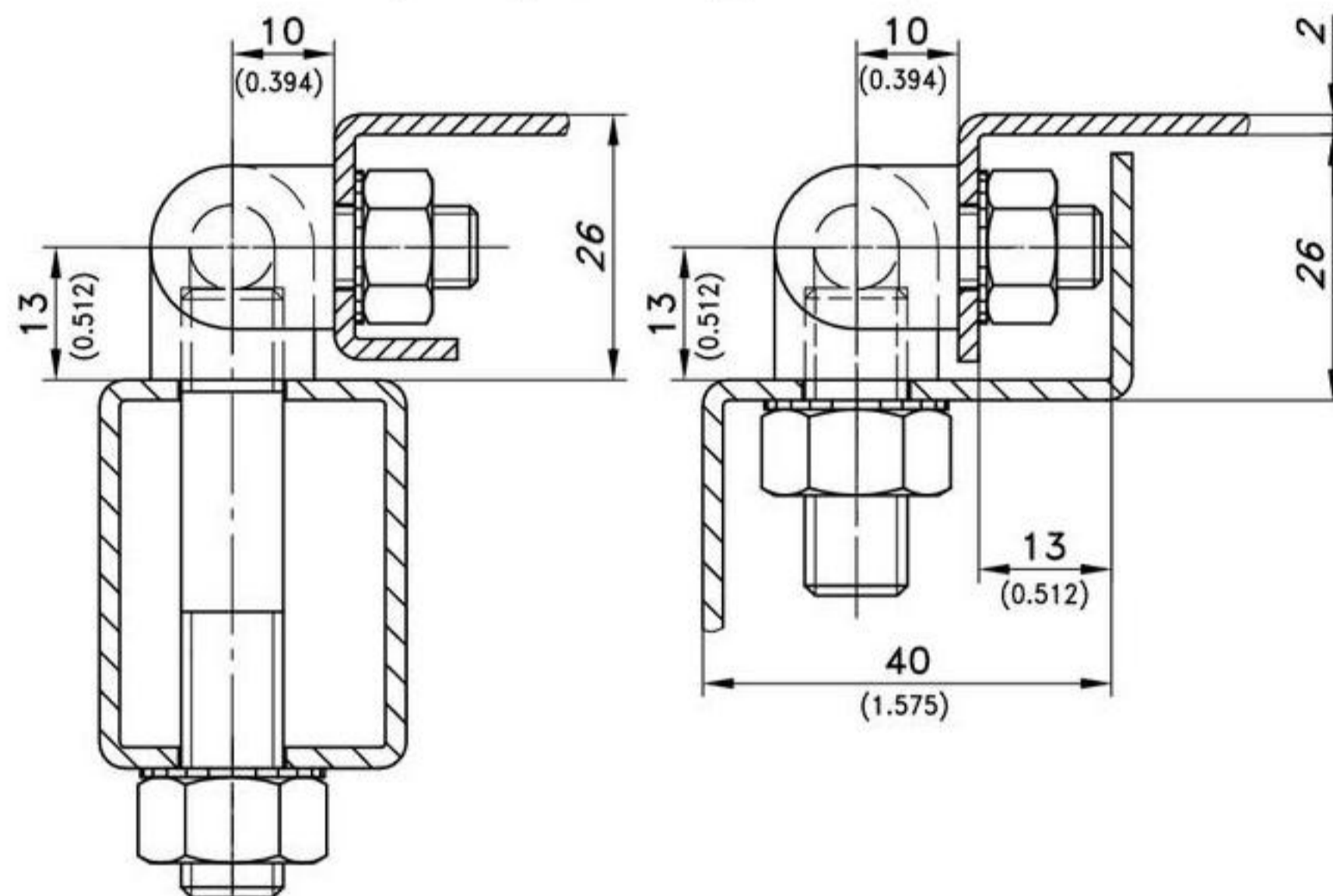
Hinge for explosion-tight doors.

Material:

- **Hinge:**
tempered steel, zinc plated
- **Washer:**
brass, nickel plated
- **Nut and washer:**
steel, zinc plated
- **Pivot:**
steel, nickel plated



Examples of application



Srew-on hinge	Part No.
2 nuts and serrated washers Ø8 are included.	219-9201