

4-225 Hinge Pr01 180°

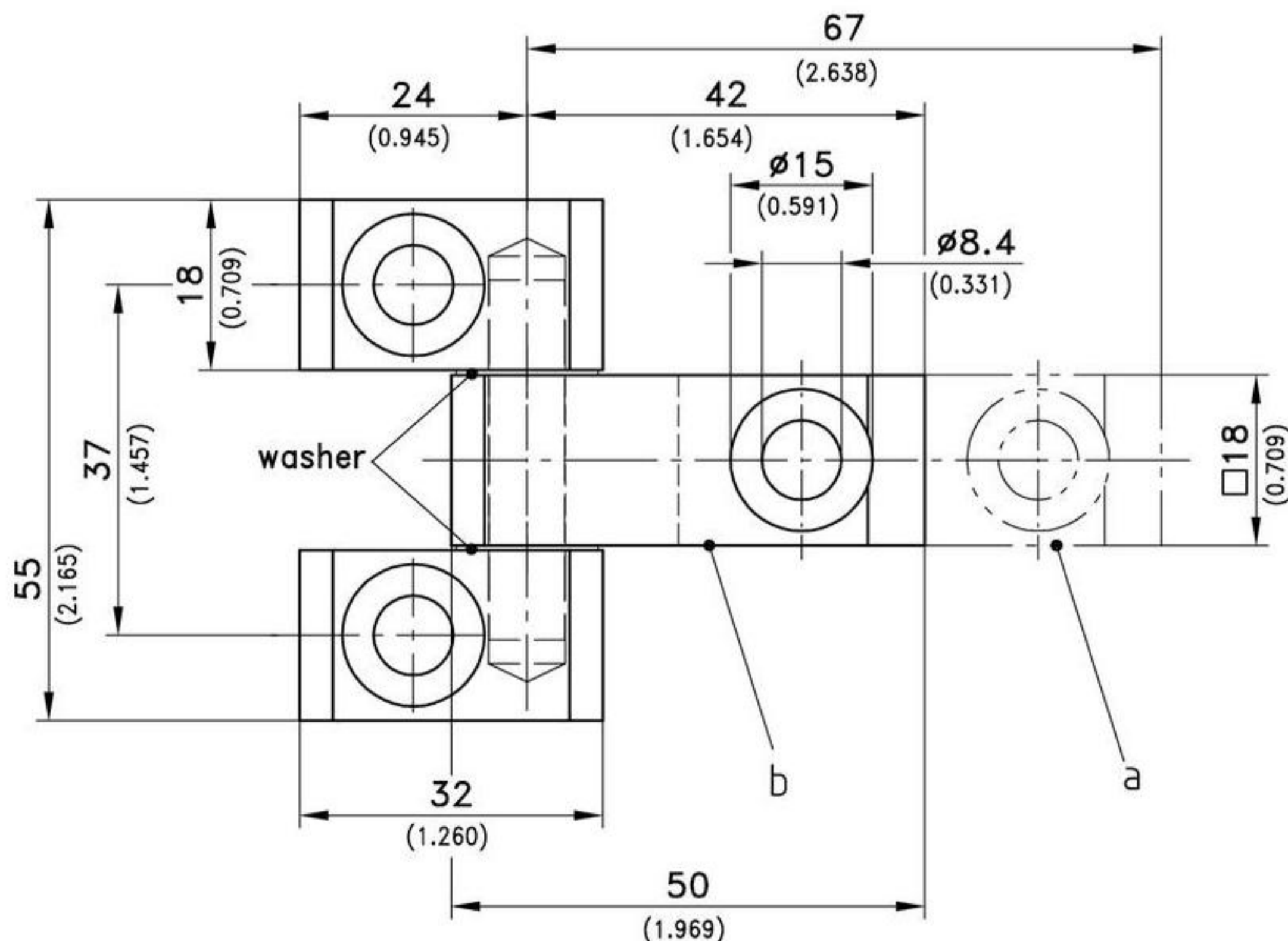
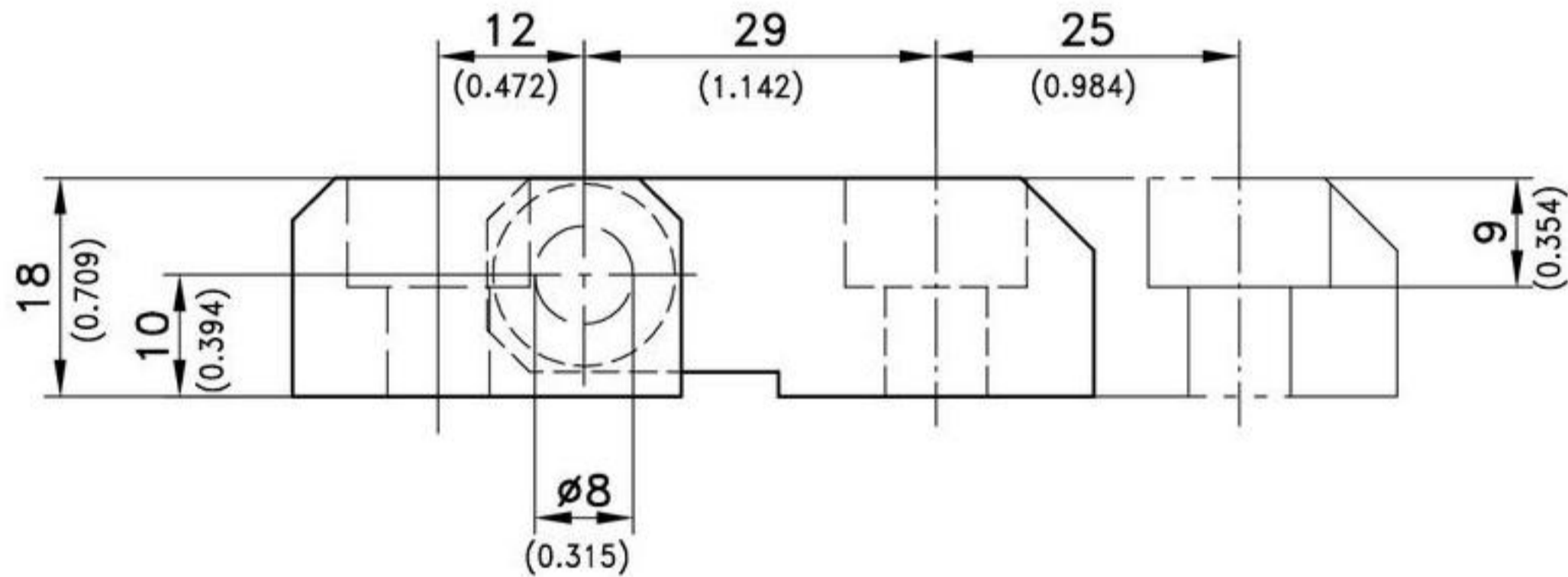
for nested door



Screw-on / Weld-on Hinge.

Material:

- a) and b)
- **Hinge Parts:**
steel, zinc plated
- c)
- **(not drawn) Hinge-middlepart:**
steel, untreated
- **Hinge-endparts**
steel, zinc plated
- **Washer:**
brass, nickel plated
- **Pivot:**
steel, nickel plated



Version	Part No.
a) Middle part long, with two holes Ø8.4 mm / 0.331	219-9109
b) Middle part short, with one hole Ø8.4 mm / 0.331	219-9113