

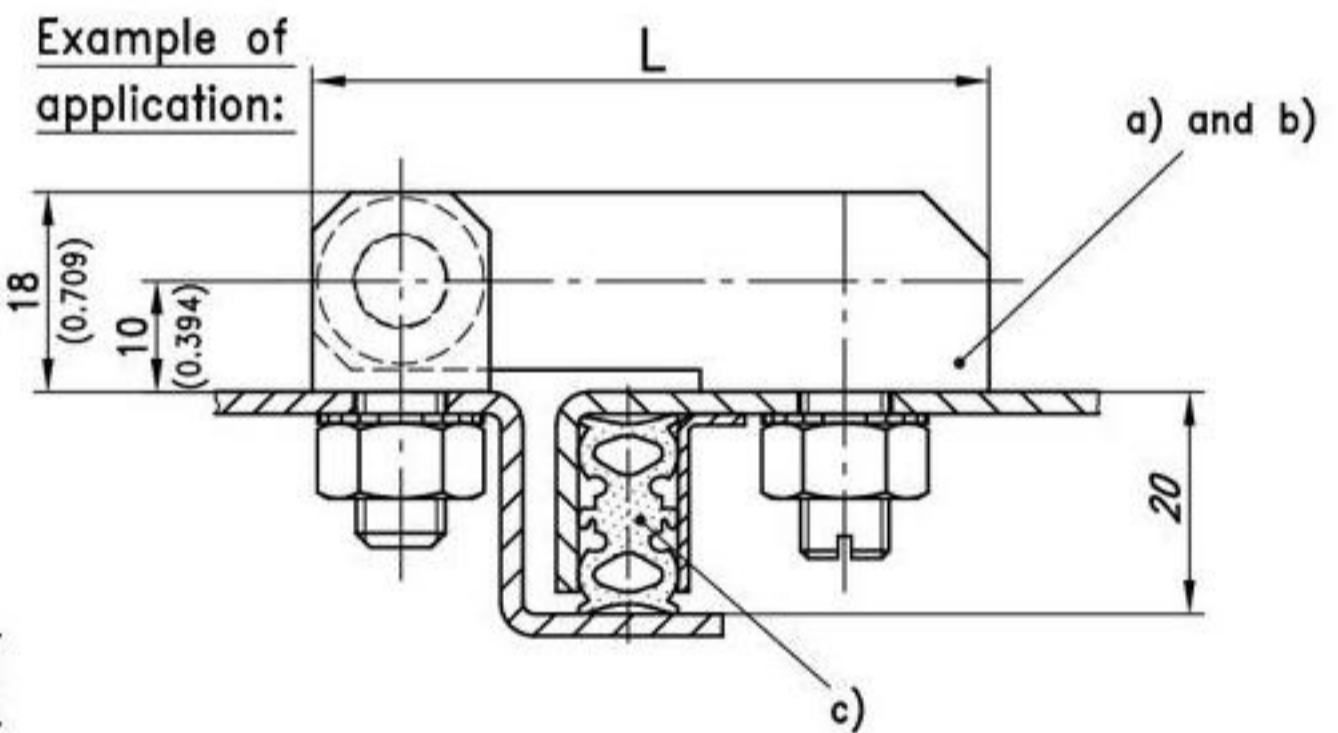
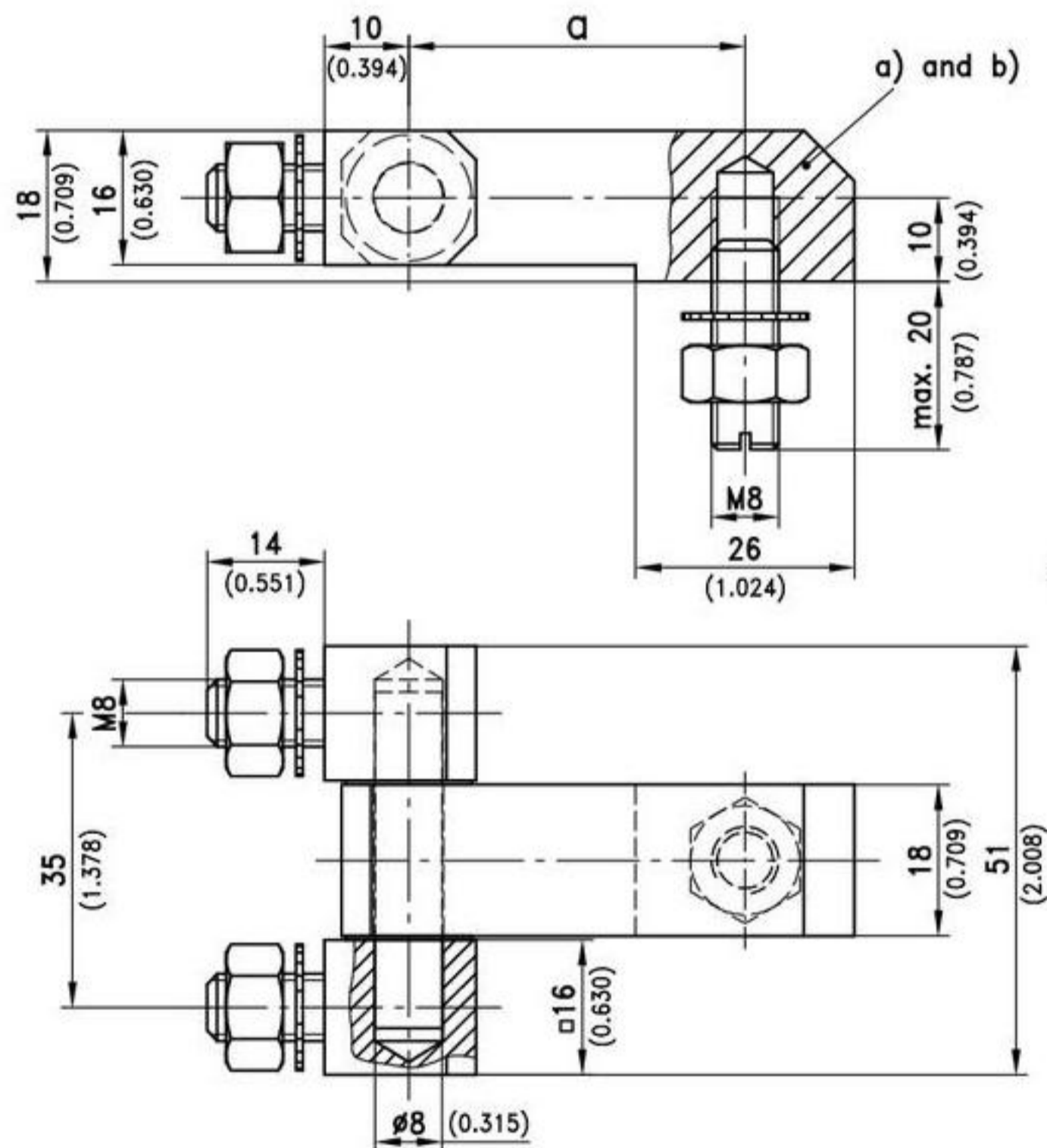
### 7-125 Hinge Pr01 180°

stainless steel AISI 304, for nested door



Screw-on hinge for nested/flush door/  
frame construction, heavy duty version.

**Material:**  
stainless steel



	Dimension L	Dimension a	Part No.	see page
a) Hinge	50 / 1.969	29 / 1.142	219-9107	
b) Hinge	61 / 2.402	40 / 1.575	219-9108	
Stud, 3 nuts and serrated washers are included.				
c) e.g. Clip-on profile			209-0122	07.8