

4-230 Hinge Pr01 180°

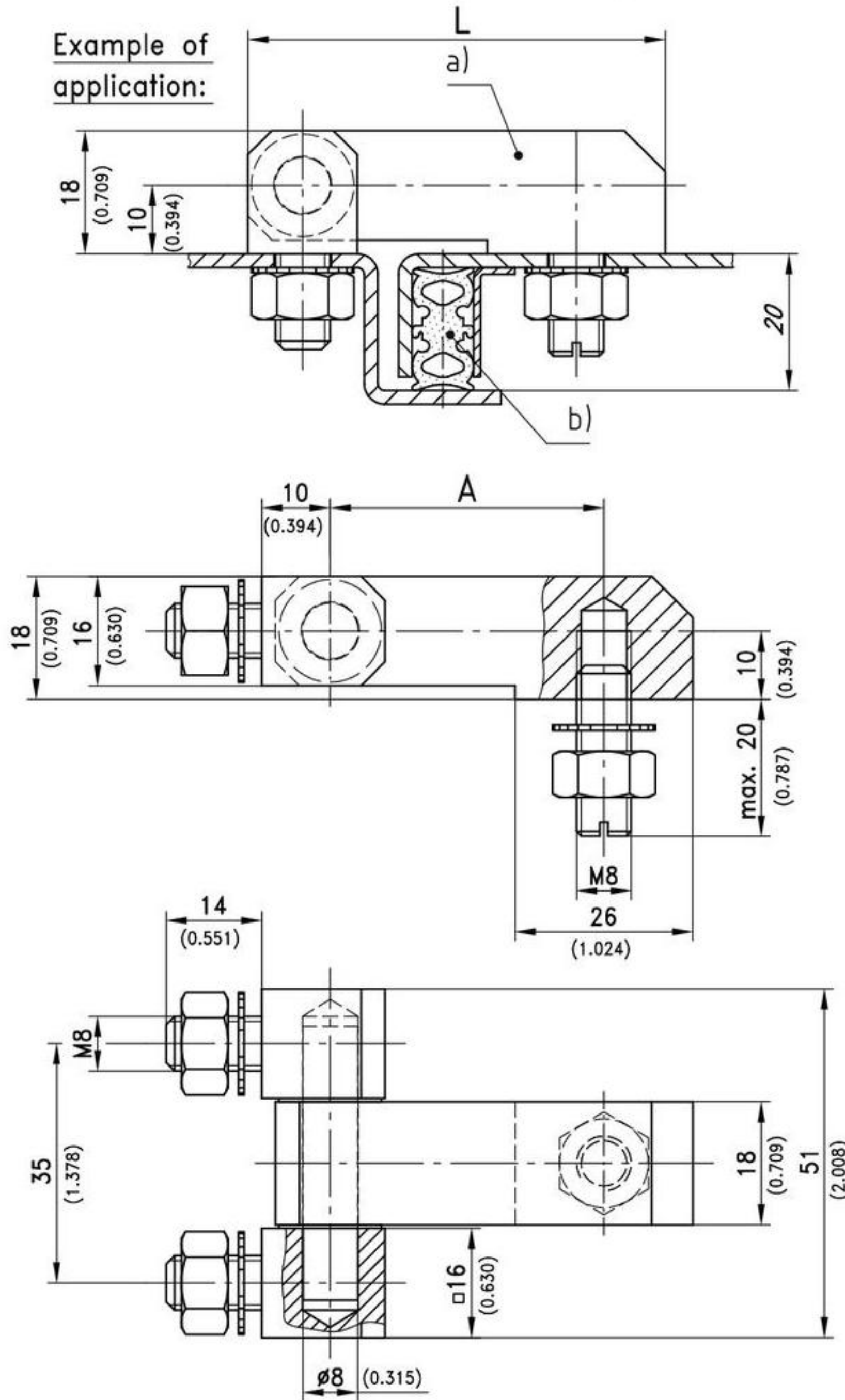
for nested door



Screw-on Hinge for flush door construction.

Material:

- **Hinge parts:**
steel, zinc plated
- **Washers:**
brass, nickel plated
- **Stud, nuts and serrated washers:**
steel, zinc plated
- **Pivot:**
steel, nickel plated



	Dimension L	Dimension A	Part No.	see page
a)	50	29	219-9102	
	61	40	219-9103	
M8 stud, 3 nuts and serrated washers are included.				
Stainless steel version				10.44
b) i.e. Sealing Profiles			209-0122	07.8