

### 4-200 Hinge Pr04 180°

for surface mounted door

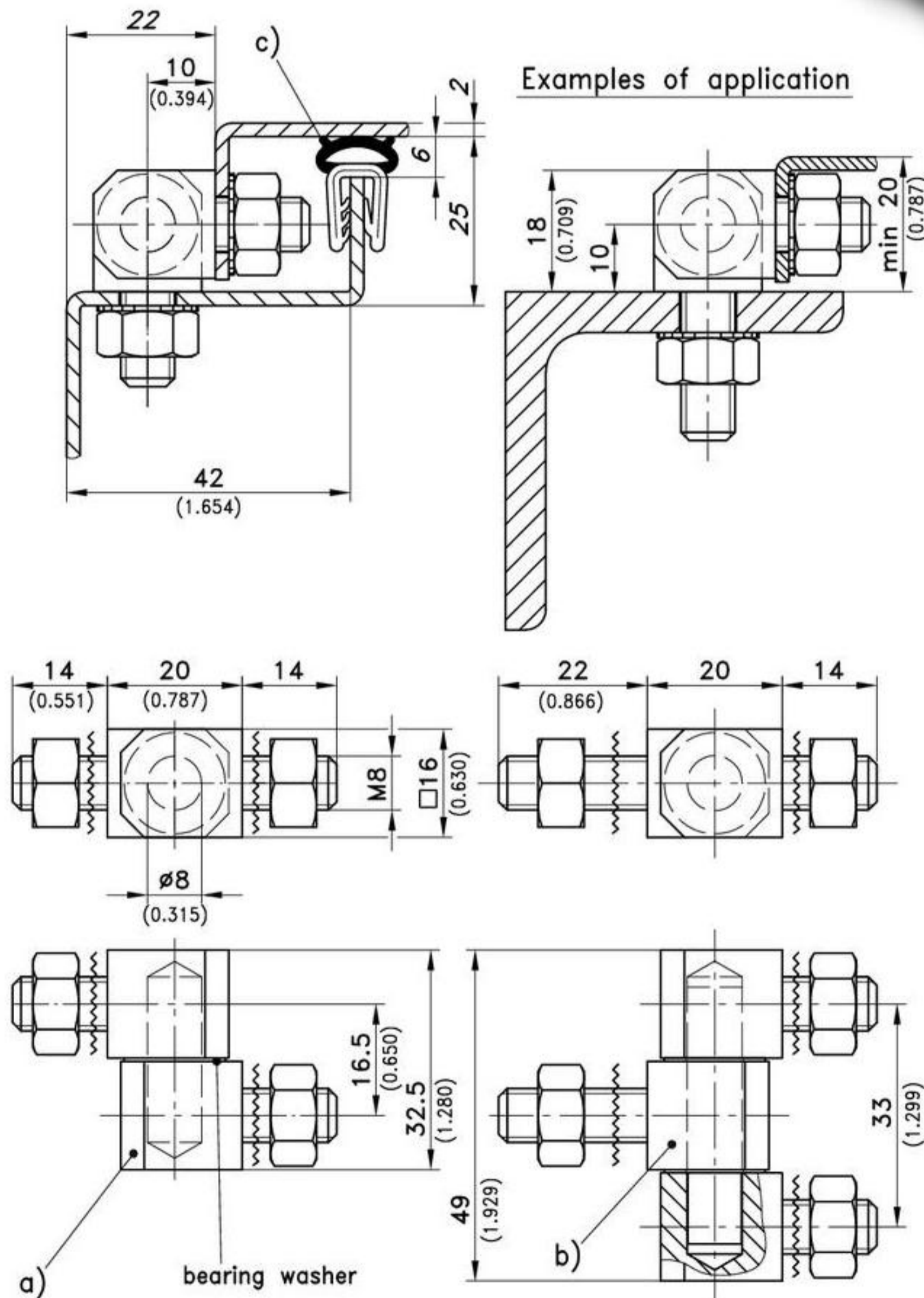


Screw-on hinge for surface mounted door

- Version a) lift-off

**Material:**

- **Hinge:** steel, zinc plated; brass, not plated
- **Bearing washer:** brass, nickel plated
- **Nut and washer:** steel, zinc plated
- **Pivot:** steel, nickel plated



Version	steel, zinc plated	brass, not plated	see page
a) Screw-on Hinge 2-parts, lift-off 2 nuts and serrated washers are included.	219-9111	219-9112	
b) Screw-on Hinge 3-parts 3 nuts and serrated washers are included. Stainless steel version	219-9101	219-9106	10.65
c) i.e. Clip-On Profiles		209-0201	07.19