

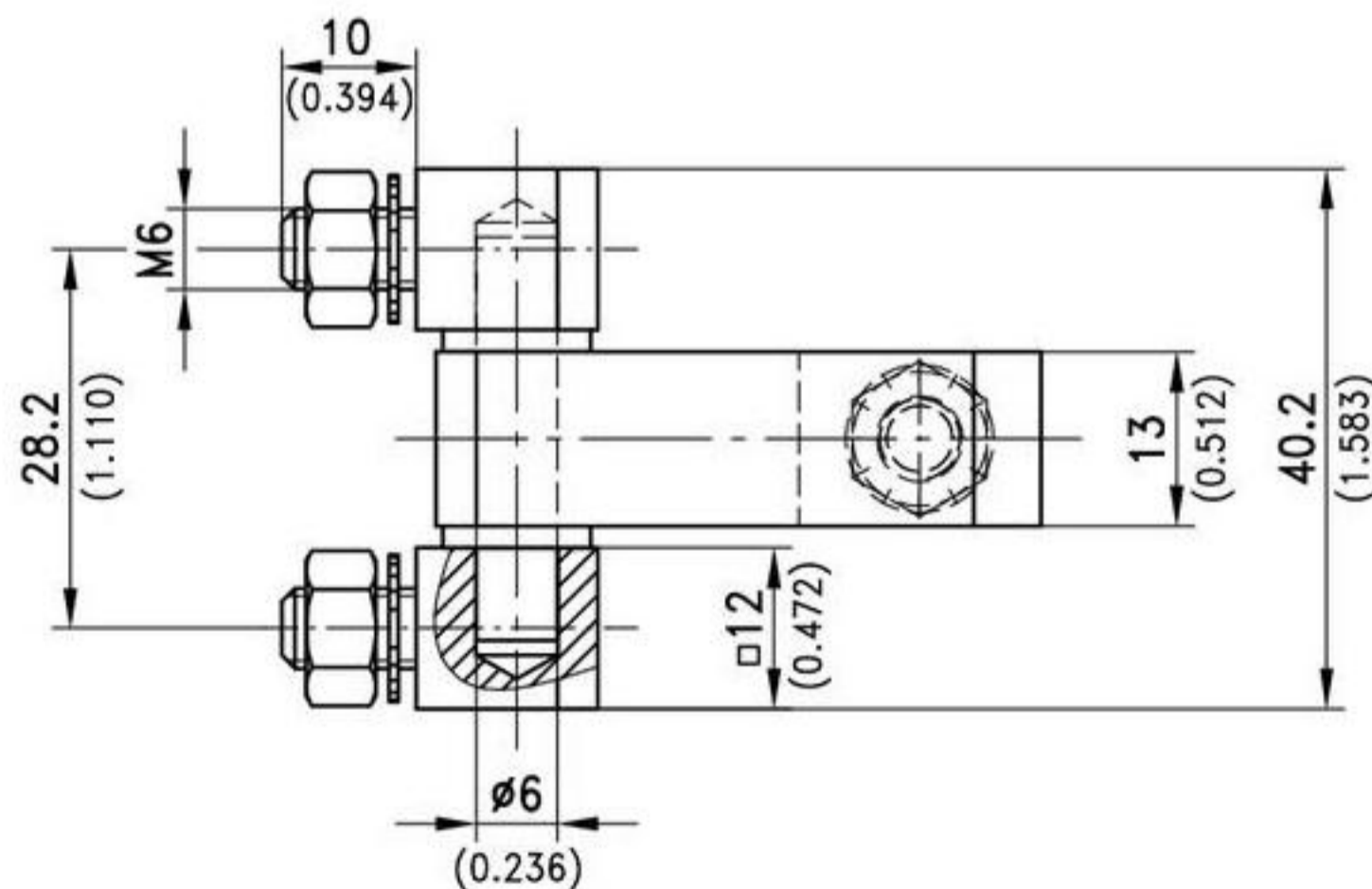
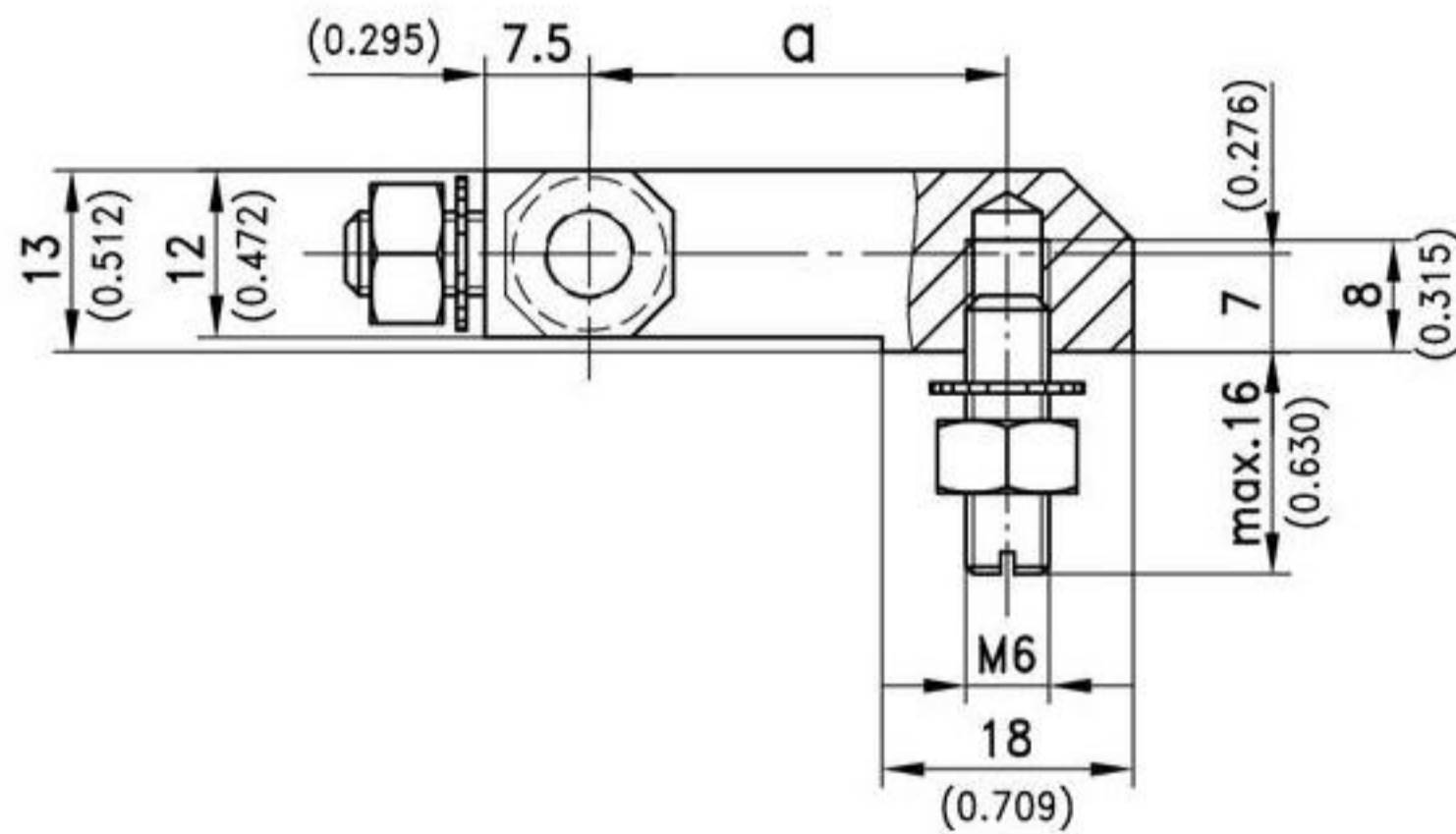
## 7-123 Hinge Pr01 180°

stainless steel AISI 304, for nested door

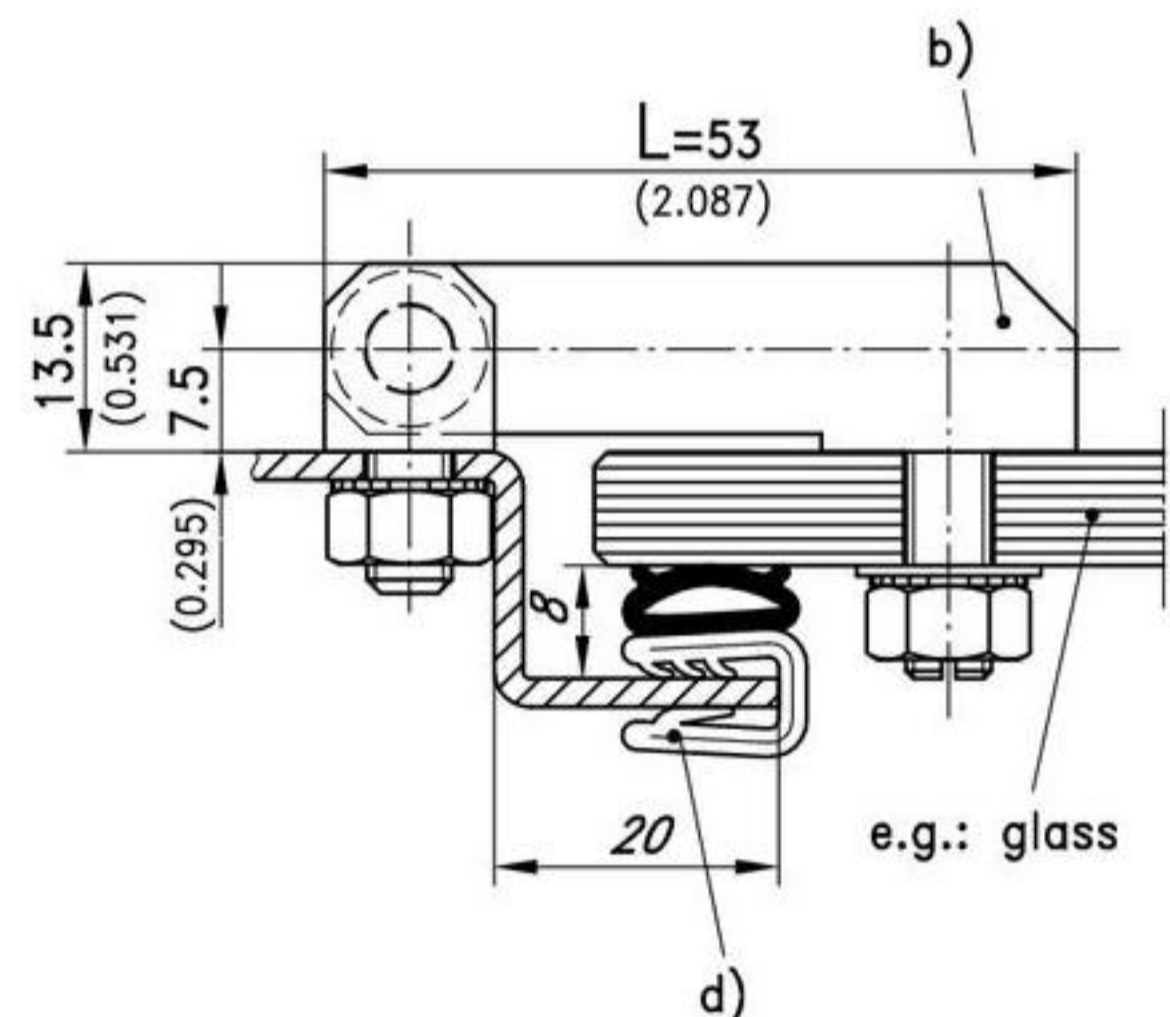
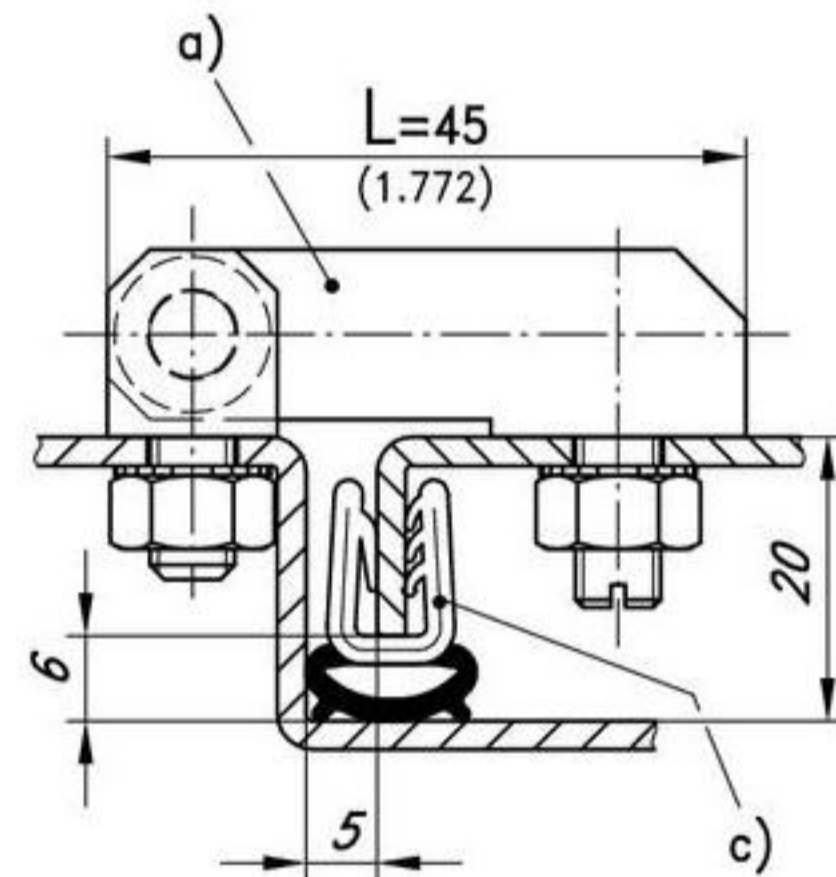


Screw-on hinge for nested/flush door/  
frame construction.

**Material:**  
stainless steel



### Examples of application



	Dimension L	Dimension a	Part No.	see page
a) Hinge	45 / 1.772	30 / 1.181	219-9006	
b) Hinge	53 / 2.087	38 / 1.496	219-9007	
Stud, 3 nuts and serrated washers are included.				
c) e.g. Clip-on profile			209-0201	07.19
d) e.g. Clip-on profile			209-0202	07.20