

4-190 Hinge Pr04 180°

for surface mounted door

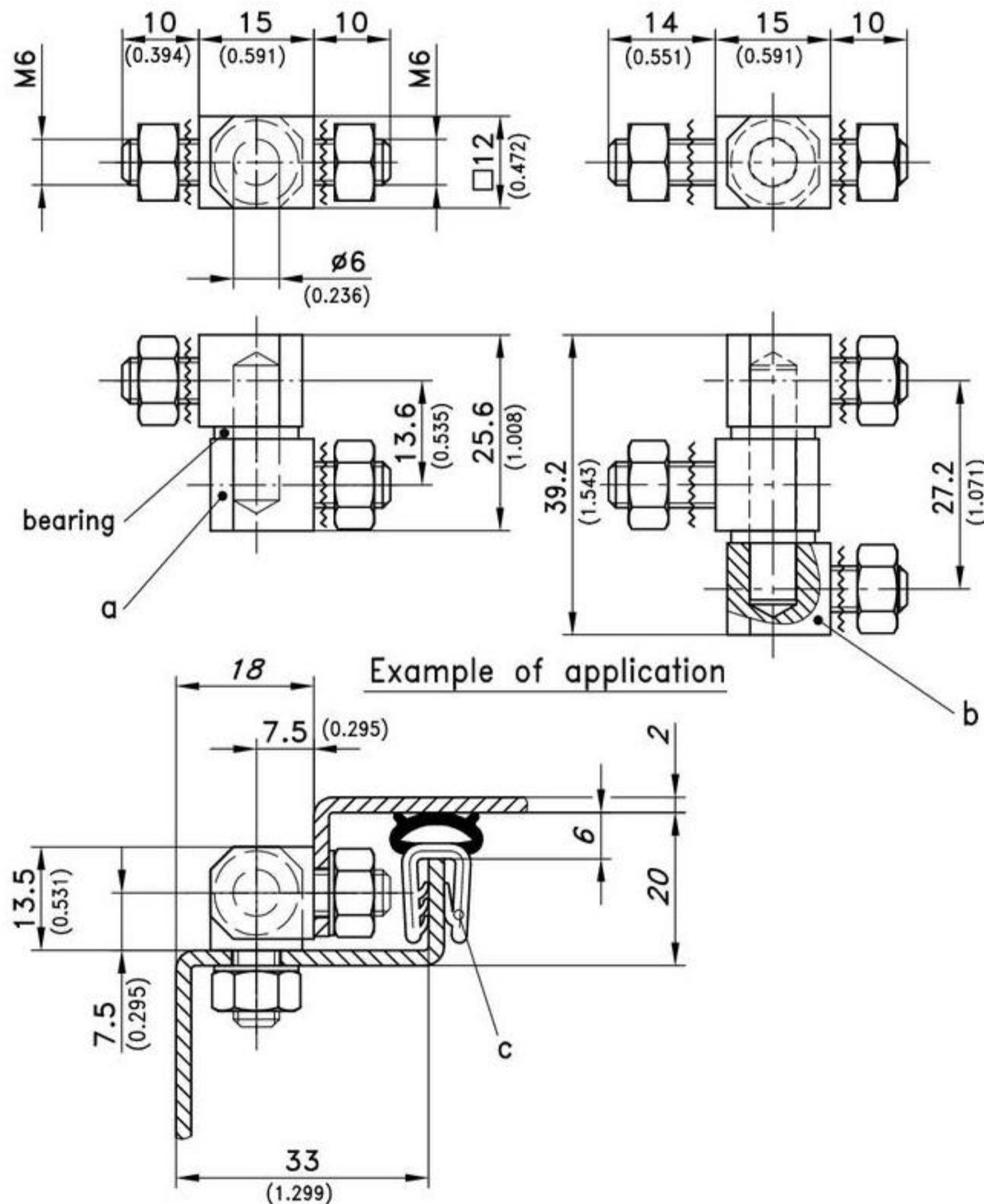


Screw-on hinge for surface mounted door

- Lift-off version (a)
- Standard version (b)

Material:

- **Hinge:**
steel, zinc plated
- **Bearing washer:**
brass, nickel plated
- **Nuts and serrated washers:**
steel, zinc plated
- **Pivot:**
steel, nickel plated



Version	Part No.	see page
a) Screw-on Hinge 2-parts, lift-off 2 nuts and serrated washers are included.	219-9005	
b) Screw-on Hinge 3-parts 3 nuts and serrated washers are included.	219-9001	
Stainless steel version		10.64
c) i.e. Clip-On Profiles	209-0201	07.19