

4-194 Hinge Pr01 180°

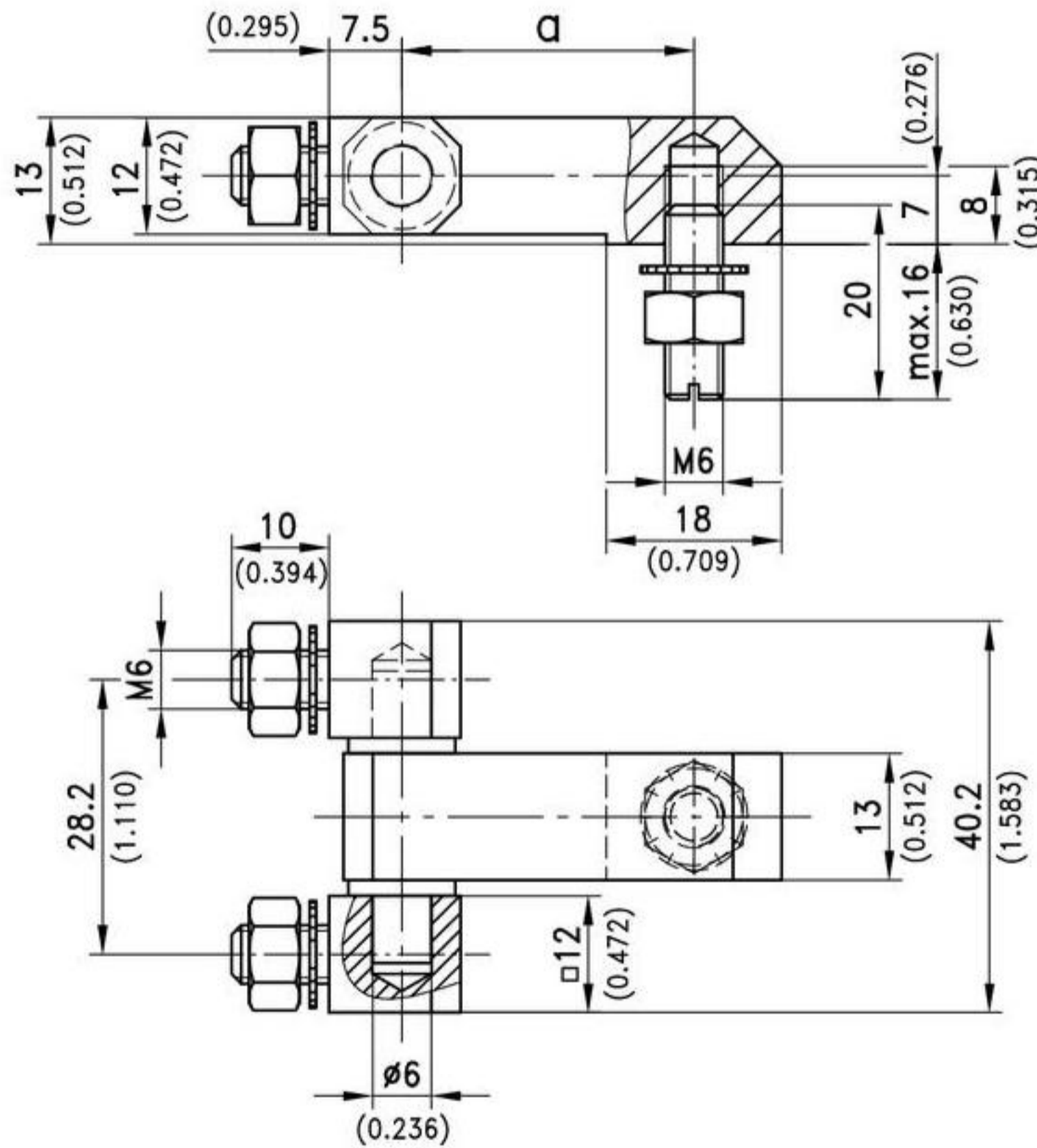
for nested door



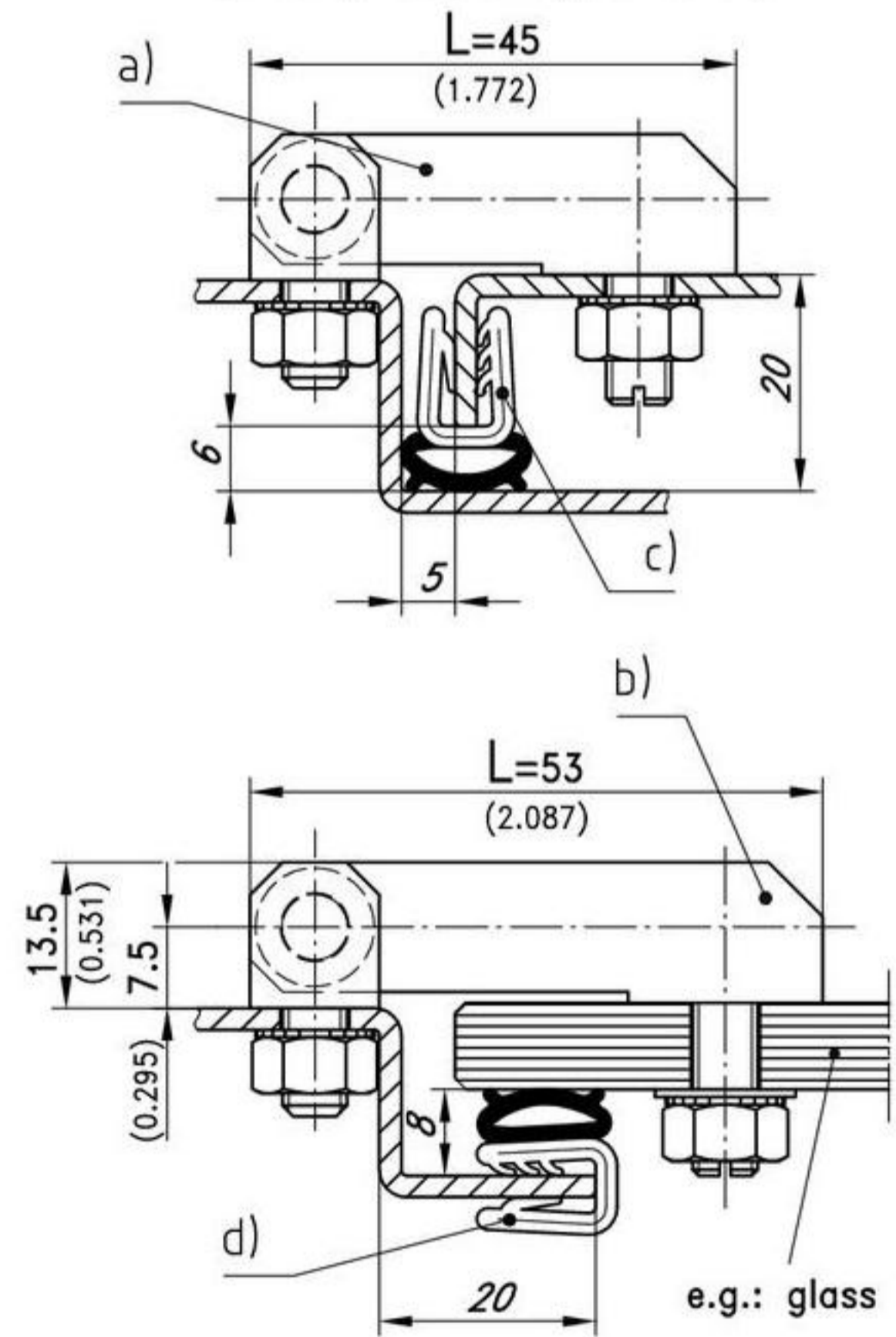
Screw-on Hinge for flush door construction.

Material:

- **Hinge parts:**
steel, zinc plated
- **Washers:**
brass, nickel plated
- **Stud, nuts and serrated washers:**
steel, zinc plated
- **Pivot:**
steel, nickel plated



Examples of application



	Dimension L	Dimension A	Part No.	see page
a)	45	30	219-9003	
b)	53	38	219-9004	
M6 stud, 3 nuts and serrated washers are included.				
Stainless steel version				10.43
c)	i.e. Clip-on Profiles		219-9004	07.19
d)	i.e. Clip-on Profiles		209-0202	07.20