

### 4-271 Hinge Pr01 270°, adjustable

for nested door



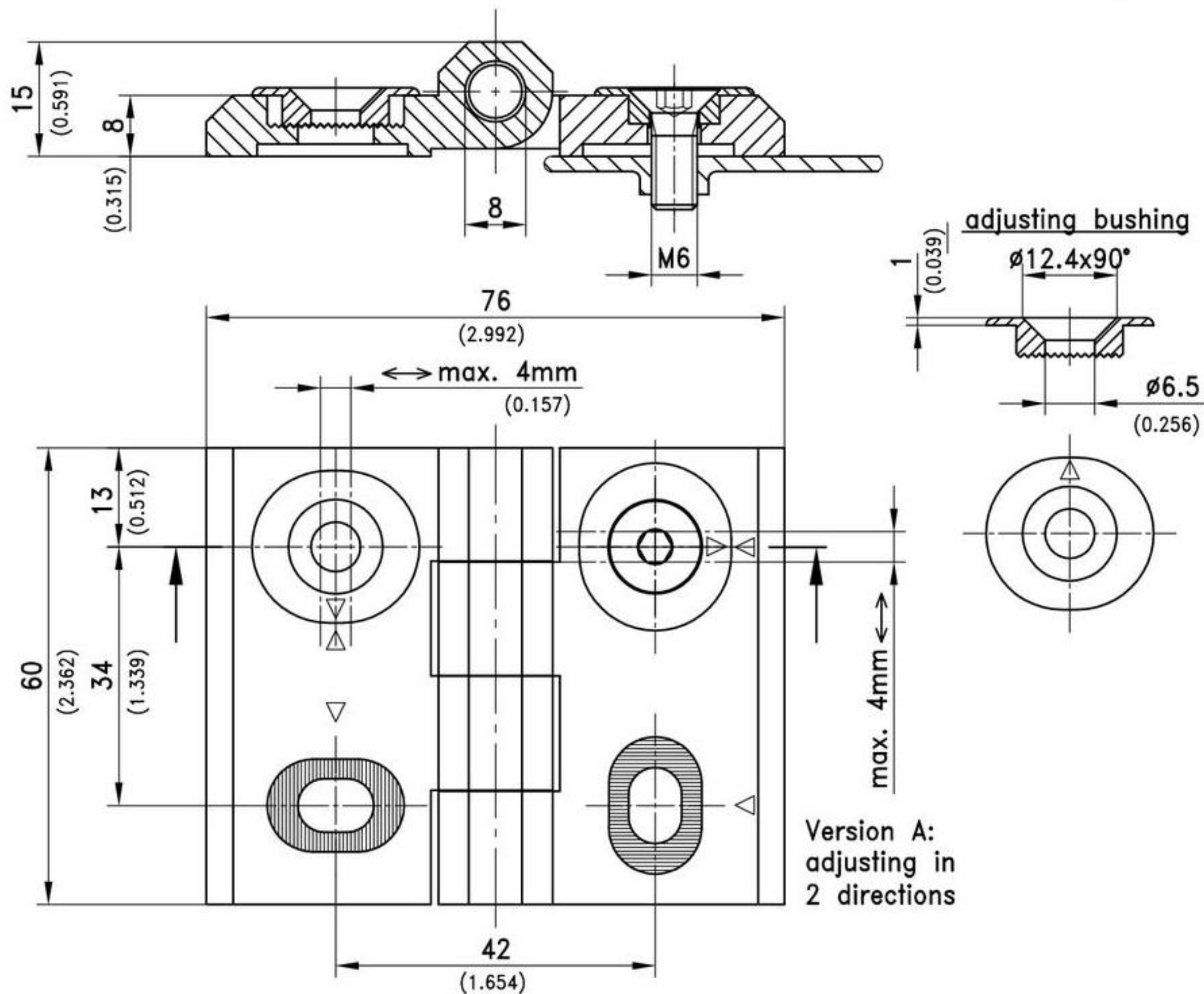
2D screw hinge for RH or LH application.

- Opening angle 270°.
- The teeth on the adjusting bushings and in the oblong holes of the hinge-bodies prevent slipping of the hinge.
- In contrast with conventional oblong holes, the countersunk heads of the screws have full contact with the adjusting bushings.
- These bushings completely cover the oblong holes, preventing deposit of dust within the adjusting area.

- Matching arrow tips mark the 0-position.

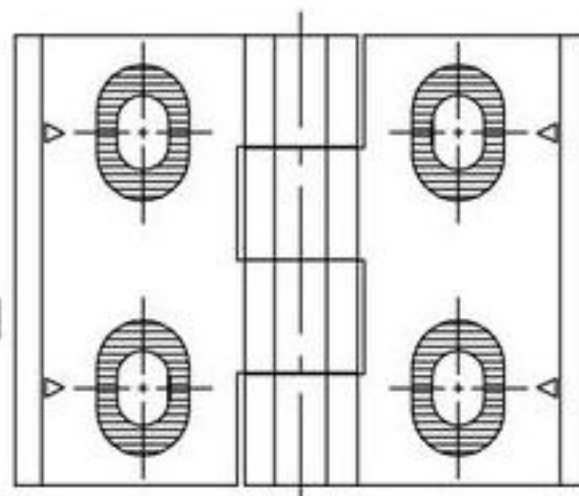
**Material:**

- **Hinge bodies and bushings:** zinc die
- **Pin:** stainless steel

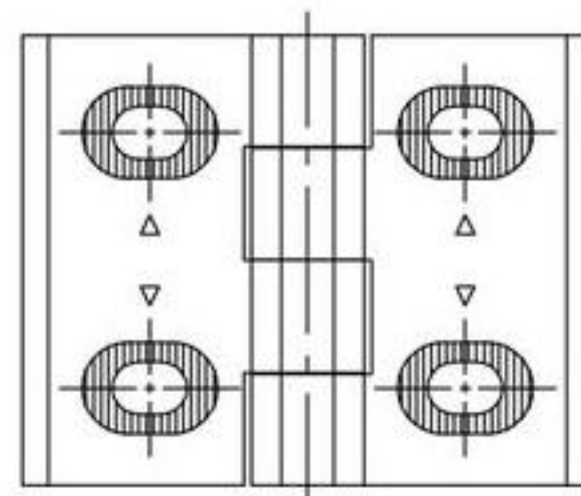


Version A:  
adjusting in  
2 directions

Version B:  
only vertical  
adjusting



Version C:  
only horizontal  
adjusting



Version	chrome plated	black	see page
A	218-9605	218-9606	
B	218-9603	218-9604	
C	218-9601	218-9602	
Countersunk machine screws			09.5



## 4-271SL Hinge Pr01 SNAP-LINE 180°

adjustable for nested door



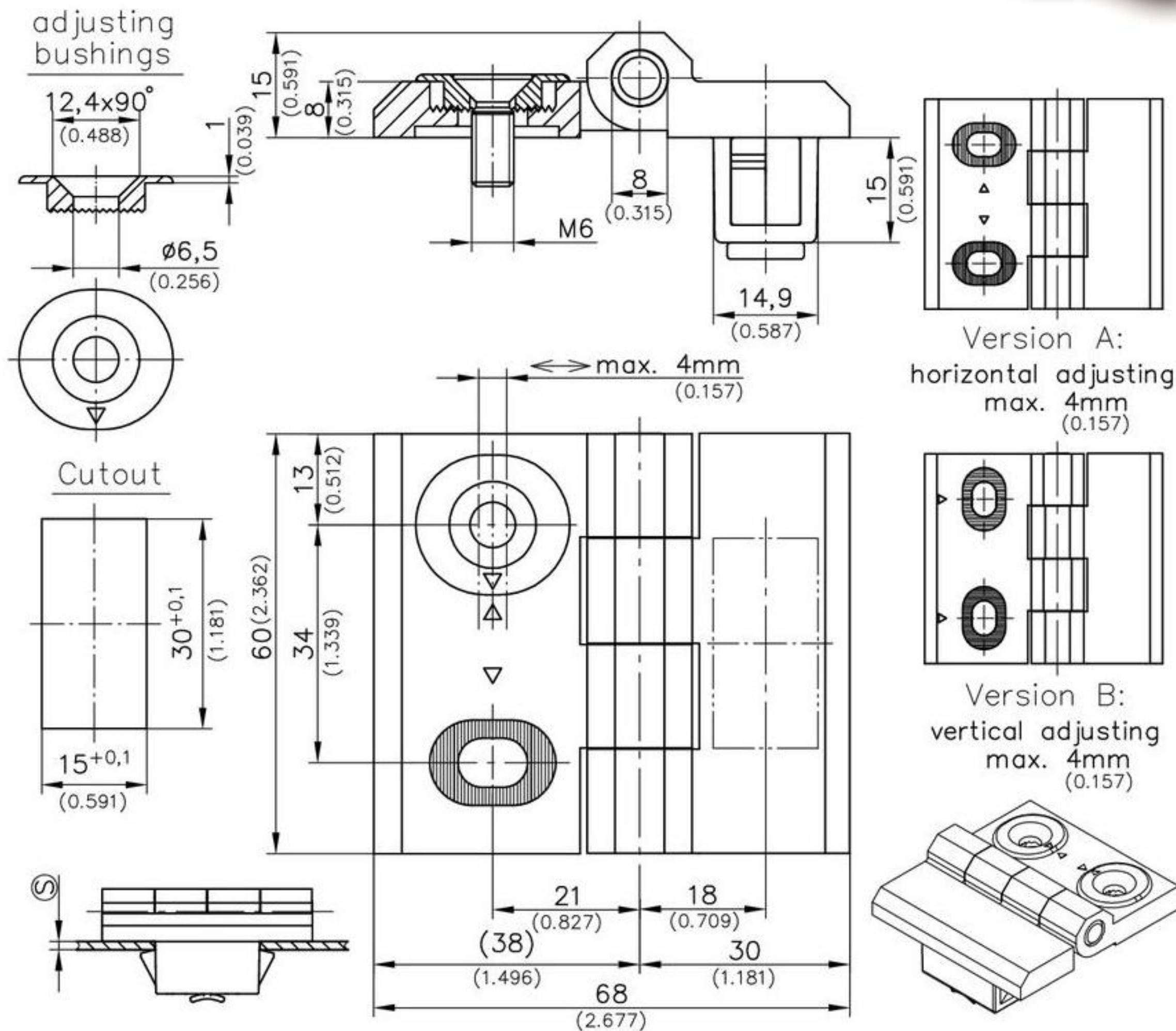
### Hinge 180° SNAP-LINE

- Combination: The first hinge half with D-SNAP-technology, the second hinge half can be adjusted (see drawing)
- Opening angle 180°.
- RH or LH application.
- The teeth on the adjusting bushings and in the oblong holes of the second hinge half prevent slipping of the hinge.
- In contrast with conventional oblong holes, the countersunk heads of the screws have full contact with the adjusting bushings.

- These bushings completely cover the oblong holes, preventing deposit of dust within the adjusting area.
- Matching arrow tips mark the 0-position.

### Material:

- **Hinge Parts:**  
zinc die, black
- **Adjusting bushings:**  
zinc die, black
- **Pin:**  
stainless steel
- **Snap wedges:**  
sintered steel



version	clamping range <sup>Ⓢ</sup>	Part No.	see page
<b>A</b>	<b>1,7 - 2,2</b>	<b>418-9206.00-00020</b>	
<b>(horizontal adjusting) (as drawn)</b>	<b>2,2 - 2,7</b>	<b>418-9206.00-00025</b>	
	<b>2,7 - 3,2</b>	<b>418-9206.00-00030</b>	
	<b>3,2 - 3,7</b>	<b>418-9206.00-00035</b>	
<b>B</b>	<b>1,7 - 2,2</b>	<b>418-9207.00-00020</b>	
<b>(vertical adjusting)</b>	<b>2,2 - 2,7</b>	<b>418-9207.00-00025</b>	
	<b>2,7 - 3,2</b>	<b>418-9207.00-00030</b>	
	<b>3,2 - 3,7</b>	<b>418-9207.00-00035</b>	
<b>Countersunk machine screws</b>			<b>09.5</b>
<b>Reinforcement plate for thin-walled sheets and for higher loads:</b>		<b>292-0701.15-01530</b>	<b>01.108</b>
<b>Tool for uninstallation</b>		<b>292-0306.80-02530</b>	<b>01.109</b>
<b>or</b>		<b>292-0301.15-00000</b>	<b>01.109</b>