

7-202 Hinge Pr01 270°

stainless steel AISI 316, for nested door



Screw-on hinge for HD-application.

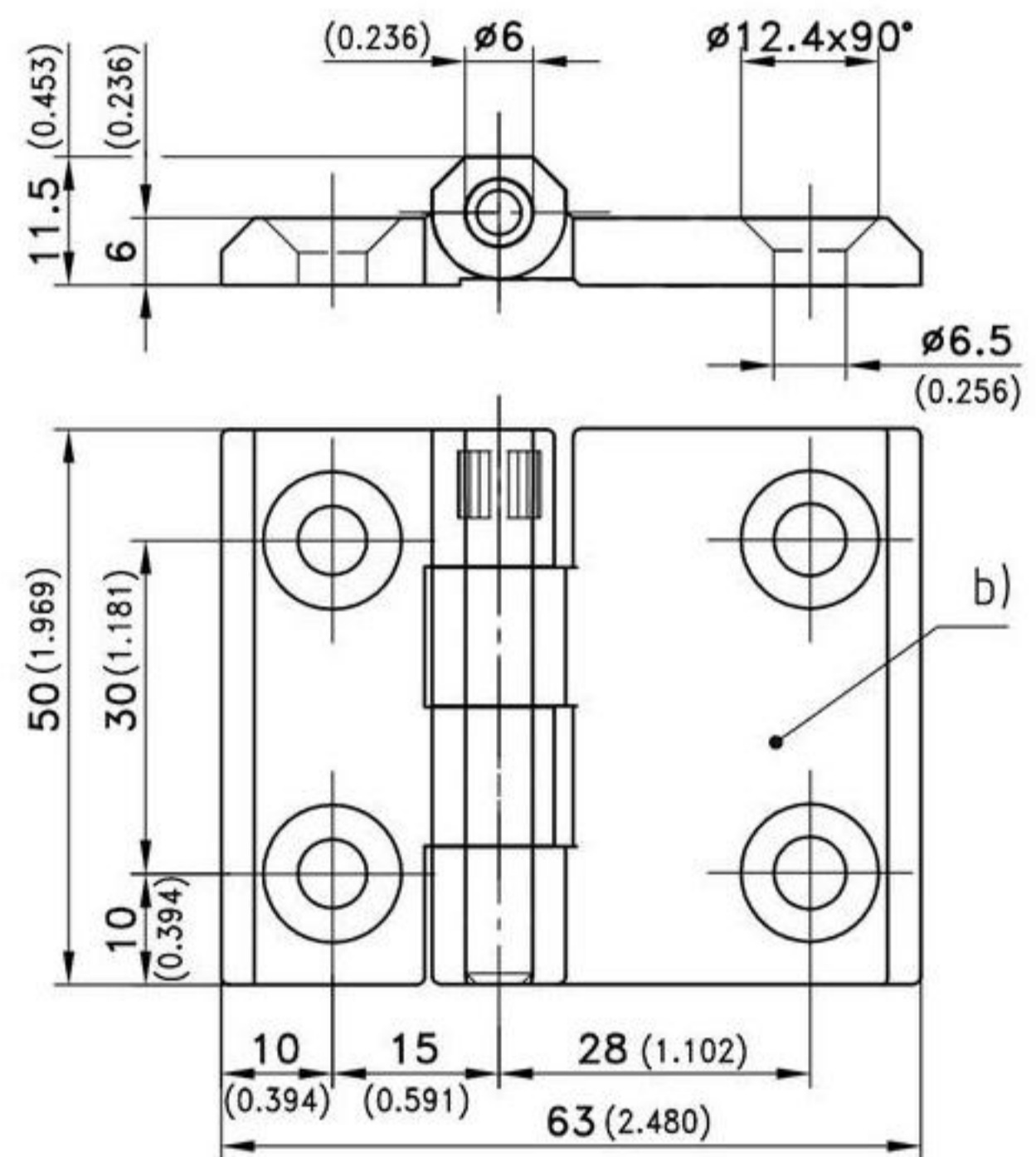
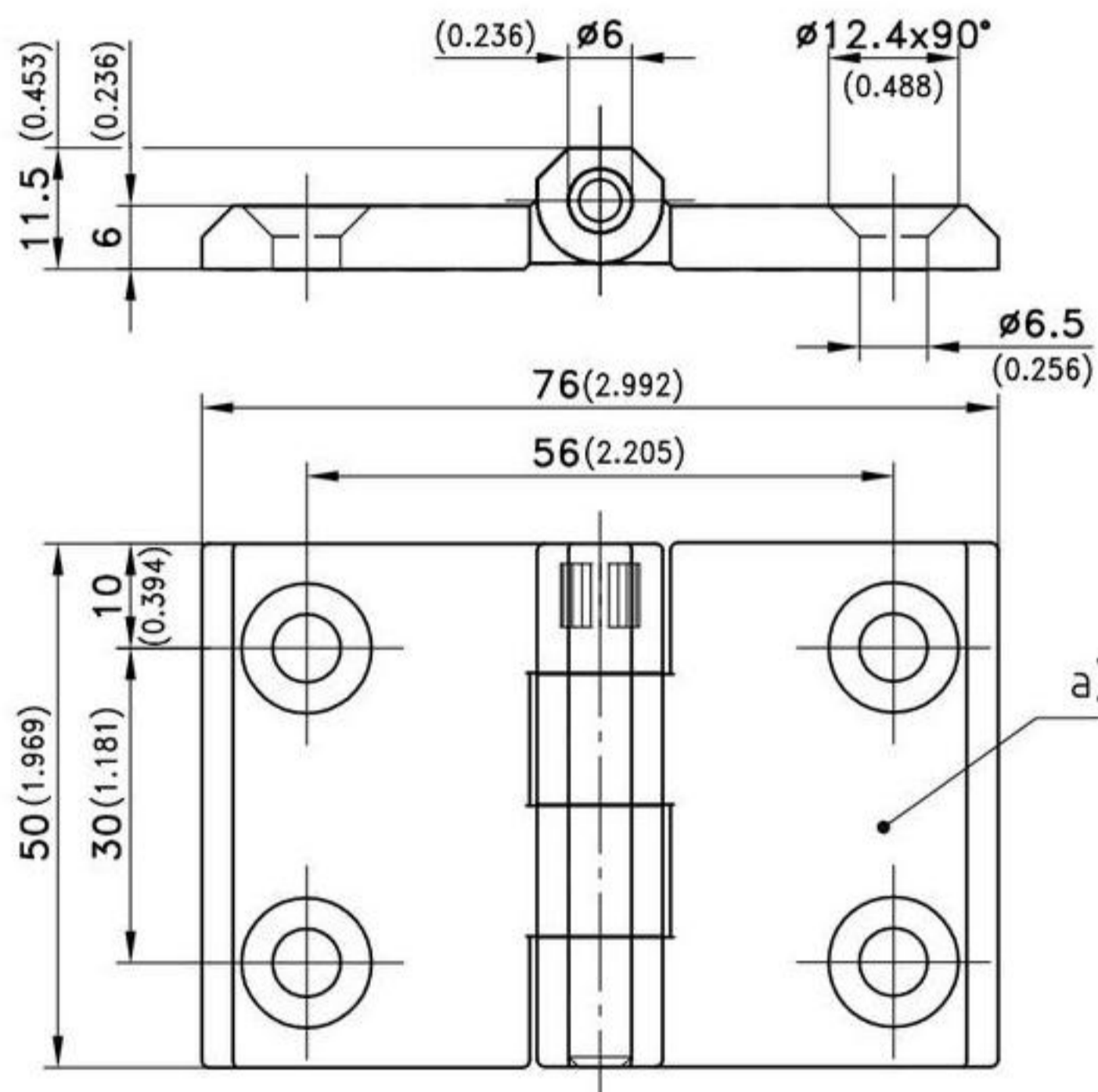
- RH or LH application.
- Allowing application around corner.
- Opening Angle 270°
- For countersunk screws M6 to DIN 7991.
- The surface of the hinge is satin polished.
- Welded hinge pin

Advantages:

- Nice visual appearance by closed pin hole on one side.
- Vibration-proof.
- Vandalism safety.

Material:

- **Hinge parts and pin:** stainless steel



Hinge
a) 50x76x11,5
b) 50x63x11,5

Part No.
218-9306
218-9305