

4-275 Hinge Pr01 270°

for nested door



270 ° Screw-on hinge

- RH or LH application.
- Opening angle 270°.

*The back of the hinge at the marked locations has prepared holes which can easily be drilled to create additional installation holes.

Material:

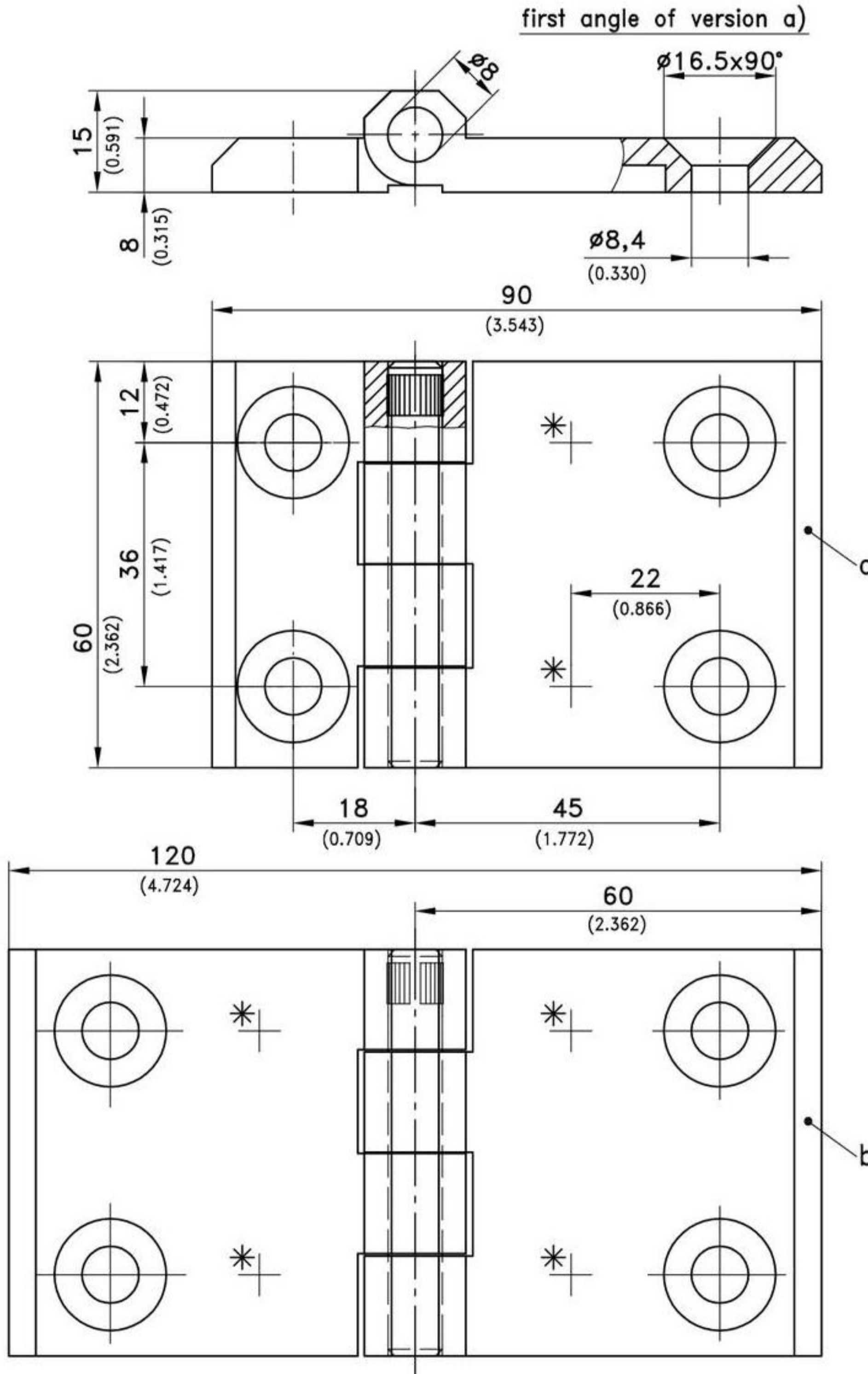
a) and b)

• **Hinge Parts:**

zinc die, black or chrome plated

• **Pin:**

stainless steel



Version	zinc die, chrome plated	zinc die, black
a) with different hinge half lengths	218-9216	218-9218
b) with identical hinge half lengths	218-9217	218-9219

4-275SL Hinge Pr01 SNAP-LINE 270°

nested door

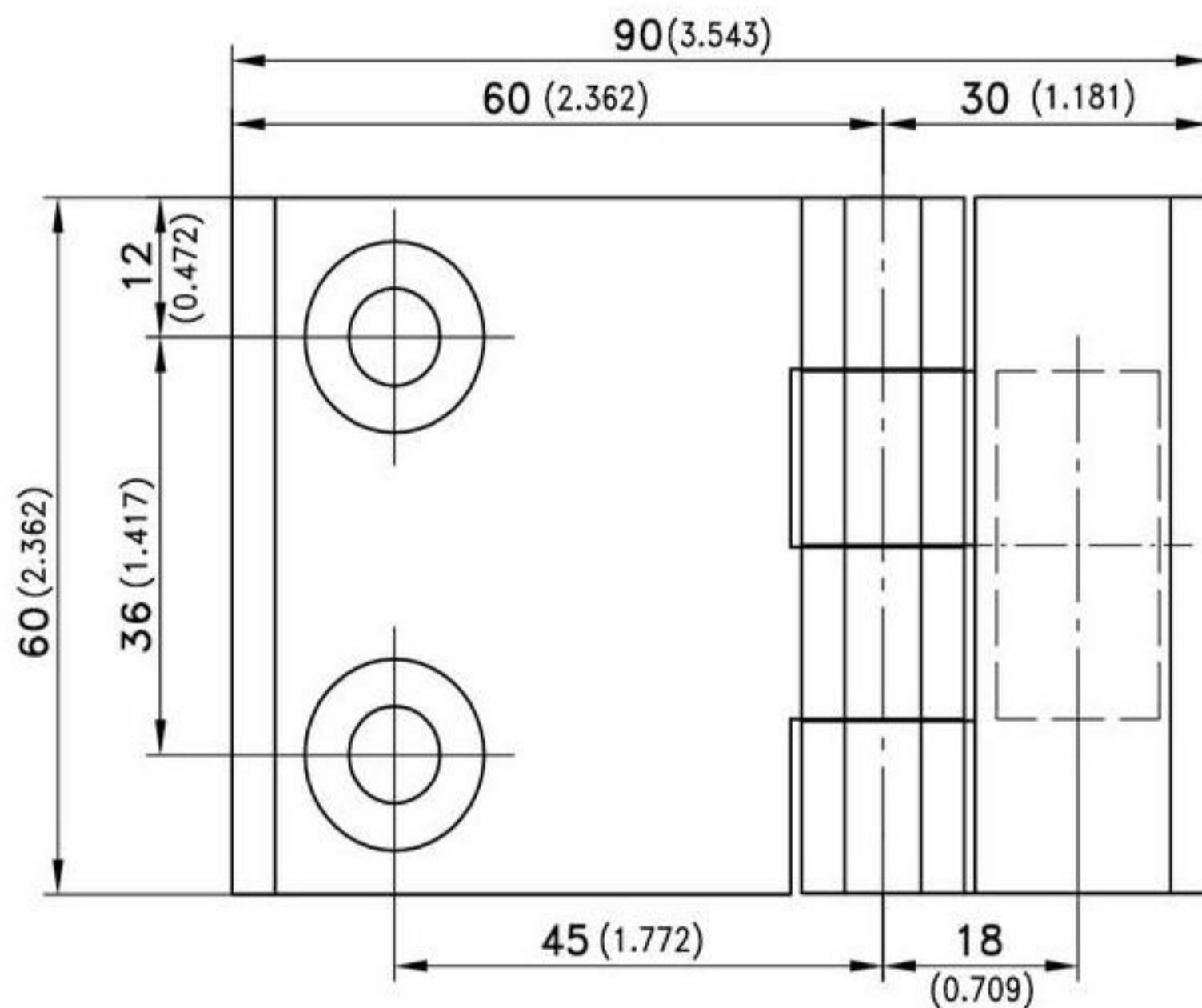
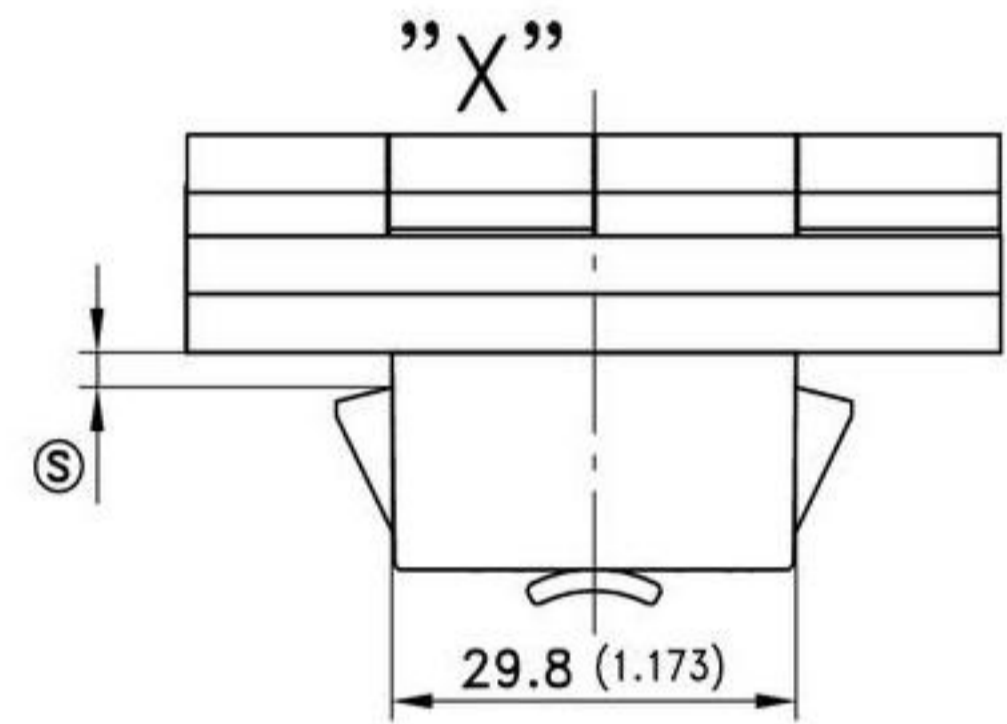
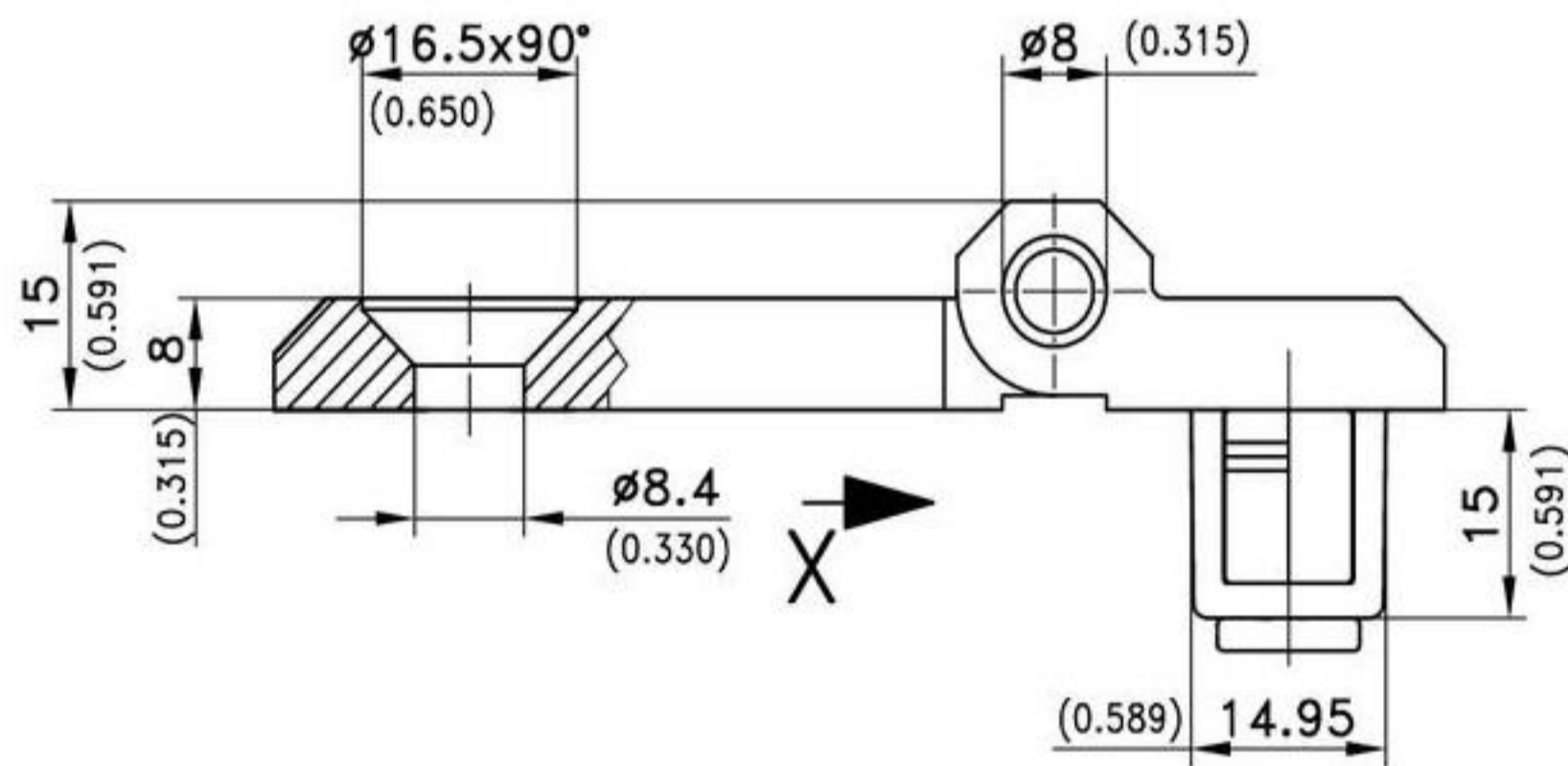


Heavy Duty 270° Hinge.

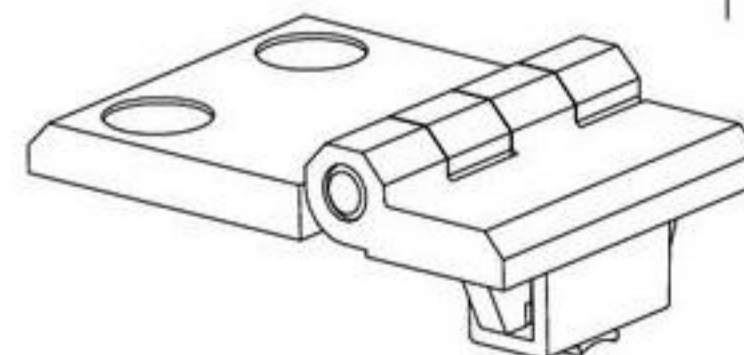
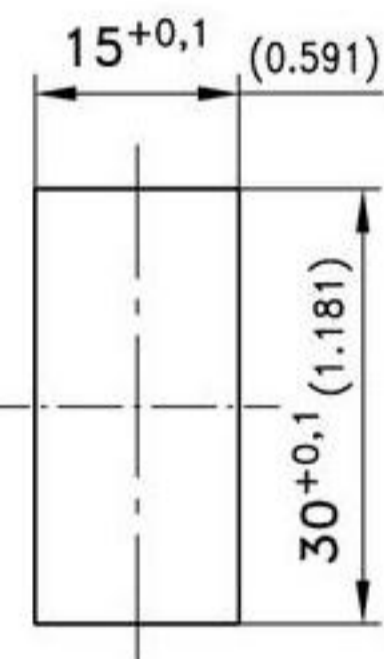
- The short hinge half length is with SNAP, the long hinge half is screw-on.
- RH or LH application.
- Opening angle 270°.

Material:

- **Hinge Parts:** zinc die, black
- **Pin:** stainless steel
- **Snap wedges:** sintered steel



Cutout



	clamping range ©	Part No.	see page
Hinge	1,2 - 1,7	418-9204.00-00015	
	1,7 - 2,2	418-9204.00-00020	
	2,2 - 2,7	418-9204.00-00025	
	2,7 - 3,2	418-9204.00-00030	
	3,2 - 3,7	418-9204.00-00035	
Other © - dimension on request!			09.5
Reinforcement plate for thin-walled sheets and for higher loads:		292-0701.15-01530	01.108
Tool for uninstallation		292-0306.80-02530	01.109
or		292-0301.15-00000	01.109