

4-274 Hinge Pr01 270°

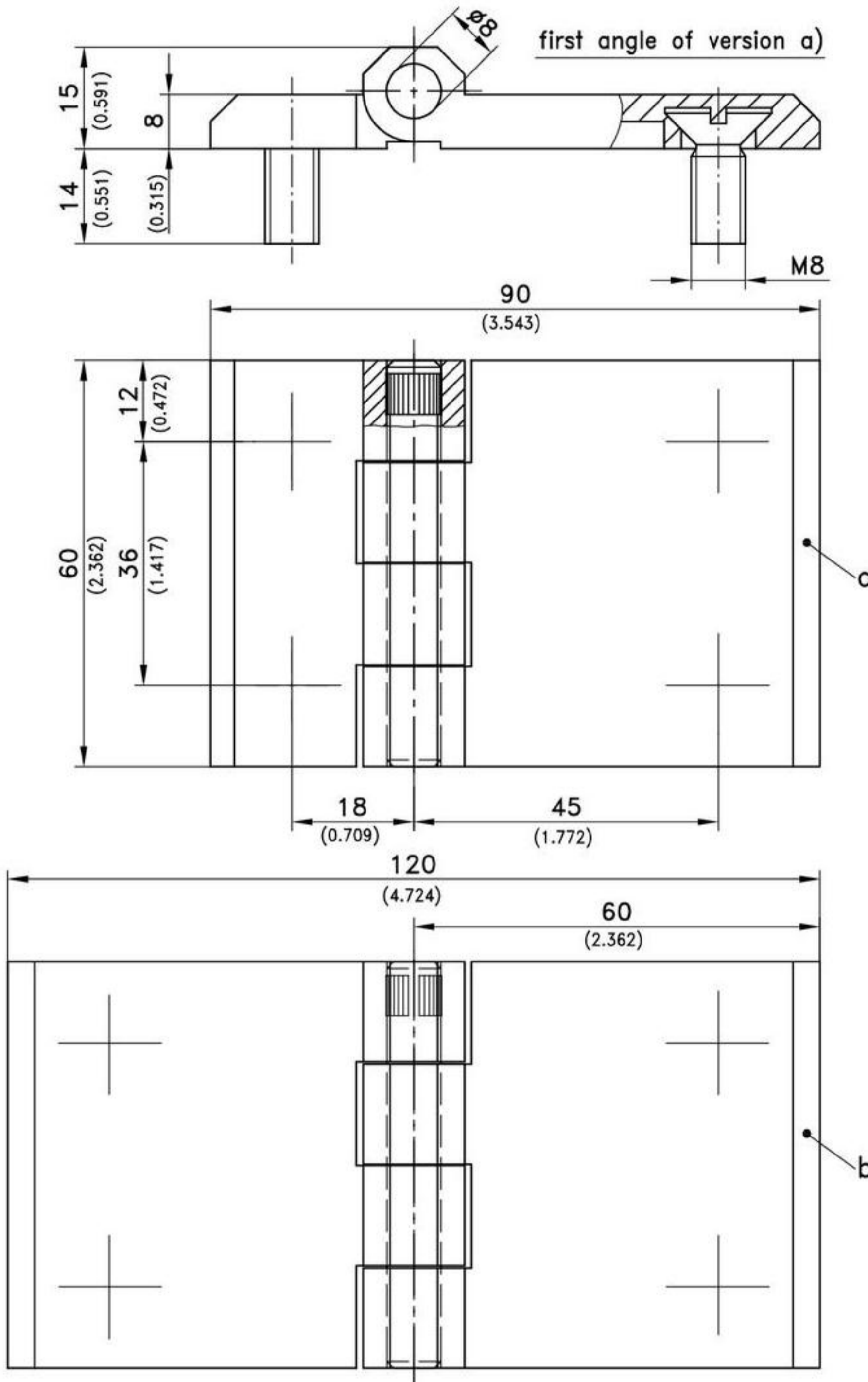
for nested door



- 270 ° Screw-on hinge
- RH or LH application.
 - Opening angle 270°.

Material:

- a) and b)
- **Hinge Parts:**
zinc die, chrome plated or black coated
- **Pin:**
stainless steel



Version	zinc die, chrome plated	zinc die, black	see page
a) with different hinge half lengths The short hinge half length is also available with countersunk holes.	218-9209	218-9210	06.14, 06.15
b) with identical hinge half lengths	218-9211	218-9212	

4-274SL Hinge Pr01 SNAP-LINE 270°

nested door

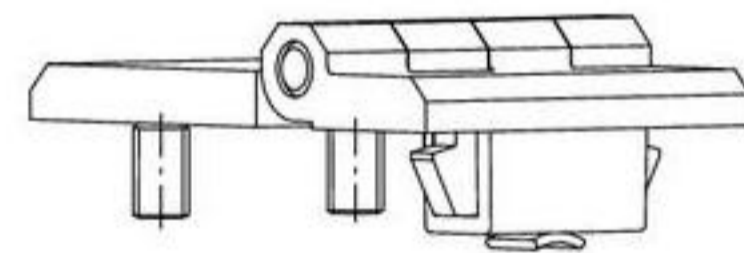
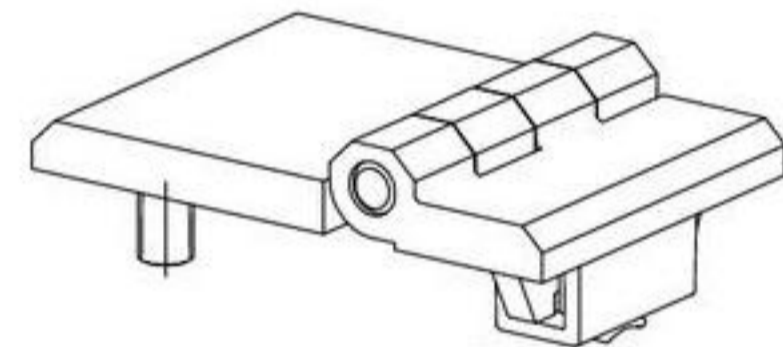
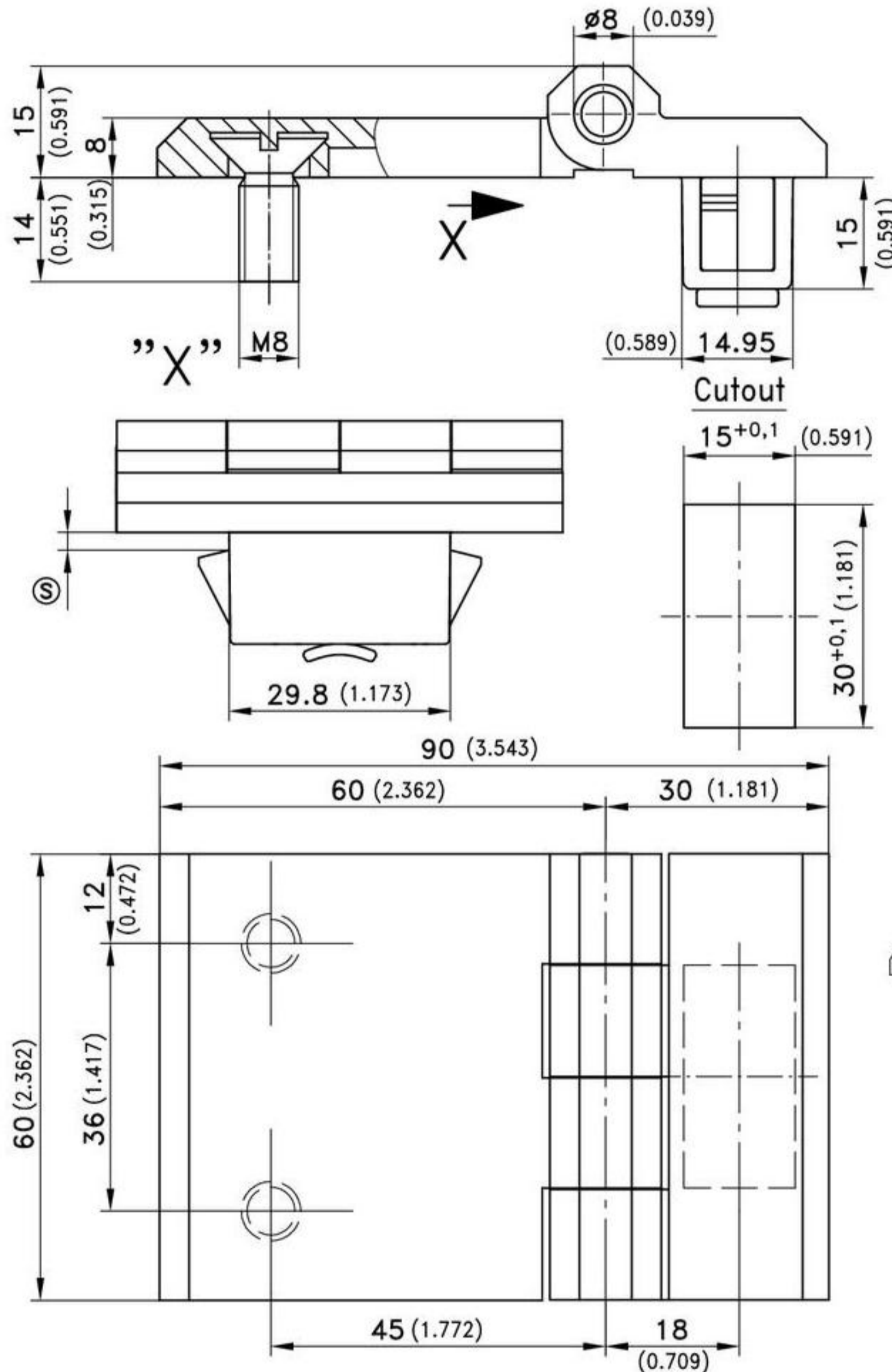


Heavy Duty 270° Hinge.

- The short hinge half length is with SNAP, the long hinge half is with molded in countersunk screws.
- RH or LH application.
- Opening angle 270°.

Material:

- **Hinge Parts:** zinc die, black
- **Pin:** stainless steel
- **Snap wedges:** sintered steel



clamping range ©	Part No.	see page
1,2 - 1,7	418-9205.00-00015	
1,7 - 2,2	418-9205.00-00020	
2,2 - 2,7	418-9205.00-00025	
2,7 - 3,2	418-9205.00-00030	
3,2 - 3,7	418-9205.00-00035	
Other © - dimension on request!		
Reinforcement plate for thin-walled sheets and for higher loads:	292-0701.15-01530	01.108
Tool for uninstallation	292-0306.80-02530	01.109
or	292-0301.15-00000	01.109