

### 4-272 Hinge Pr01 270°

for nested door

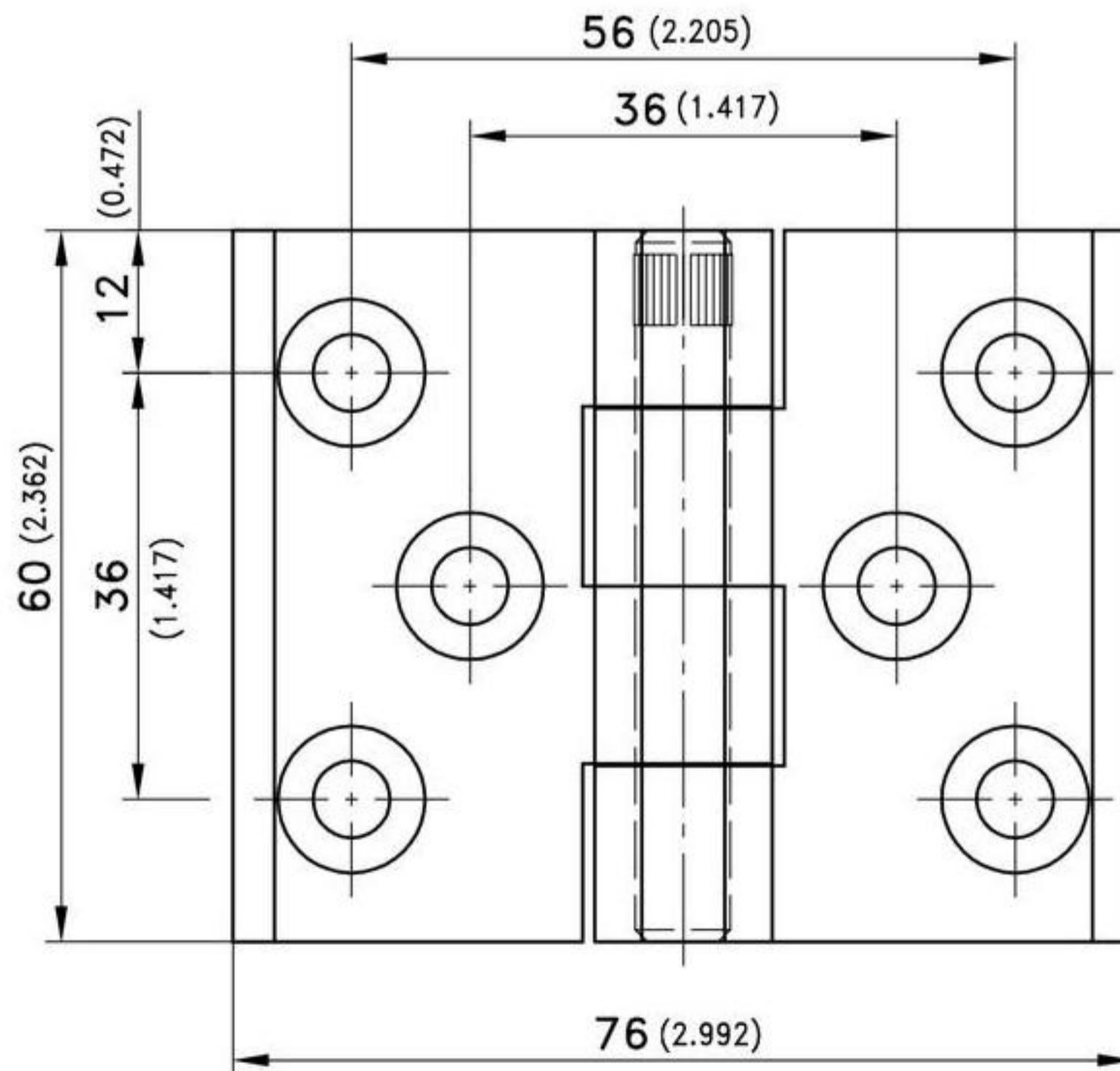
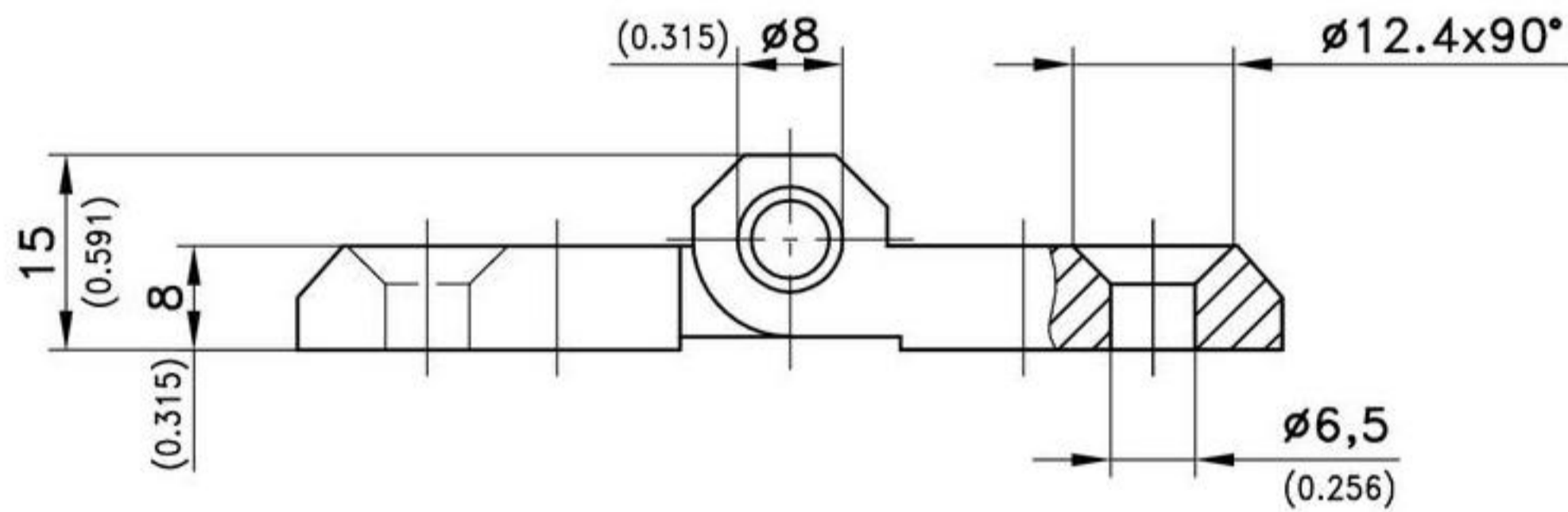


**Srew-on hinge**

- RH or LH application.
- Opening Angle 270°
- Allowing application around corner.
- Combination of versions on request.

**Material:**

- **Hinge Parts:**  
zinc die, black or chrome plated
- **Pin:**  
stainless steel



Version	chrome plated	black	see page
a) Hinge with 4 countersunk holes for screws M6	218-9205	218-9206	
b) for countersunk screws M6 with 6 countersunk holes	218-9207	218-9208	

Countersunk machine screws zinc plated