

4-264 Hinge Pr01 270°

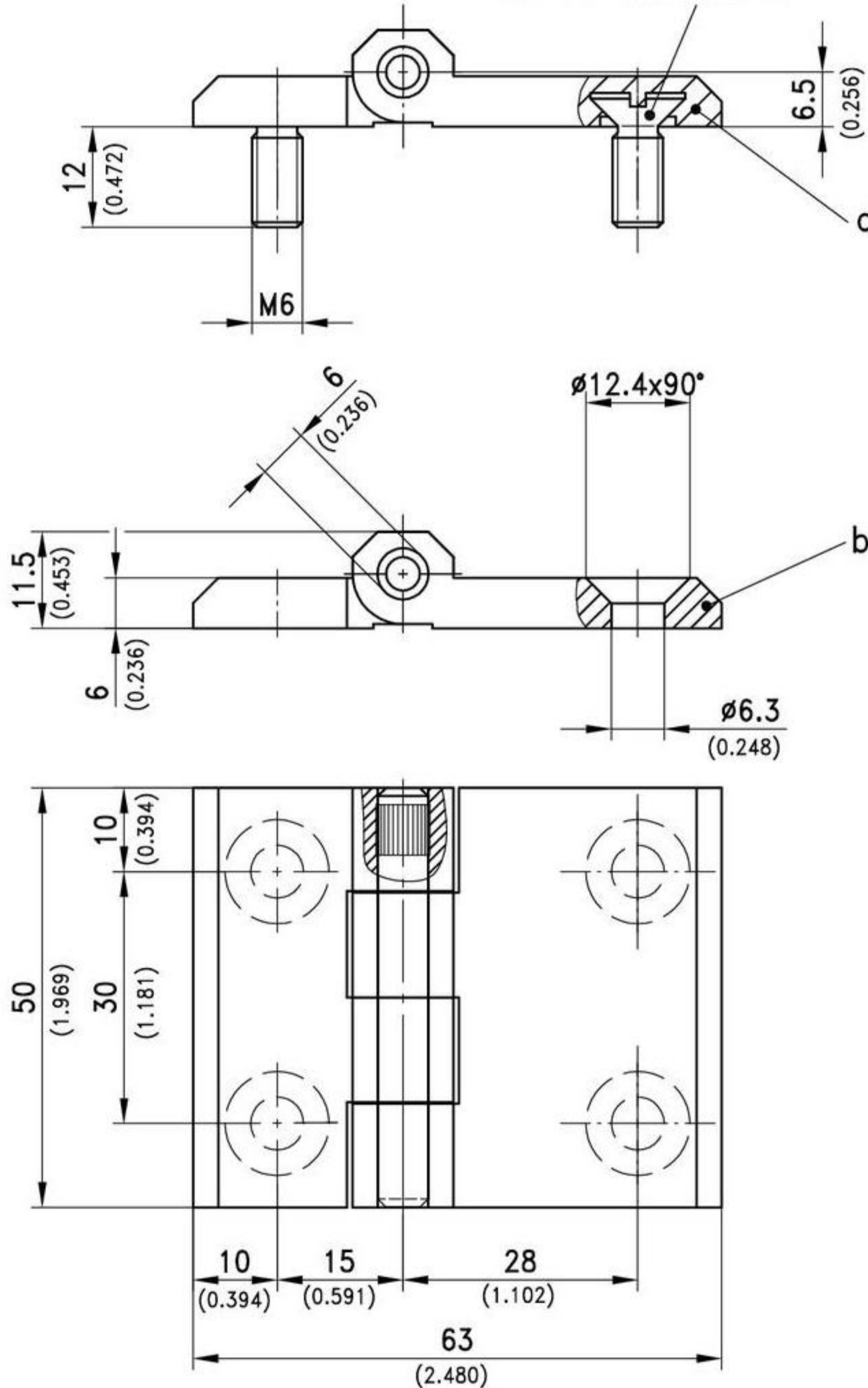
for nested door



- Screw-on hinge
- RH or LH application.
 - Opening Angle 270°

- Material:**
- a) and b)
 - **Hinge Parts:**
zinc die, black or chrome plated
 - **Pin:**
stainless steel

countersunk screws M6x16
DIN 963 moulded in



Version	zinc die, chrome plated	zinc die, black	see page
a) Hinge with molded in countersunk screws	218-9124	218-9125	
b) with countersunk holes for M6 to b) countersunk machine screws	218-9109	218-9110	09.5
Version b) in stainless steel			10.47

4-264SL Hinge Pr01 SNAP-LINE 180°

nested door

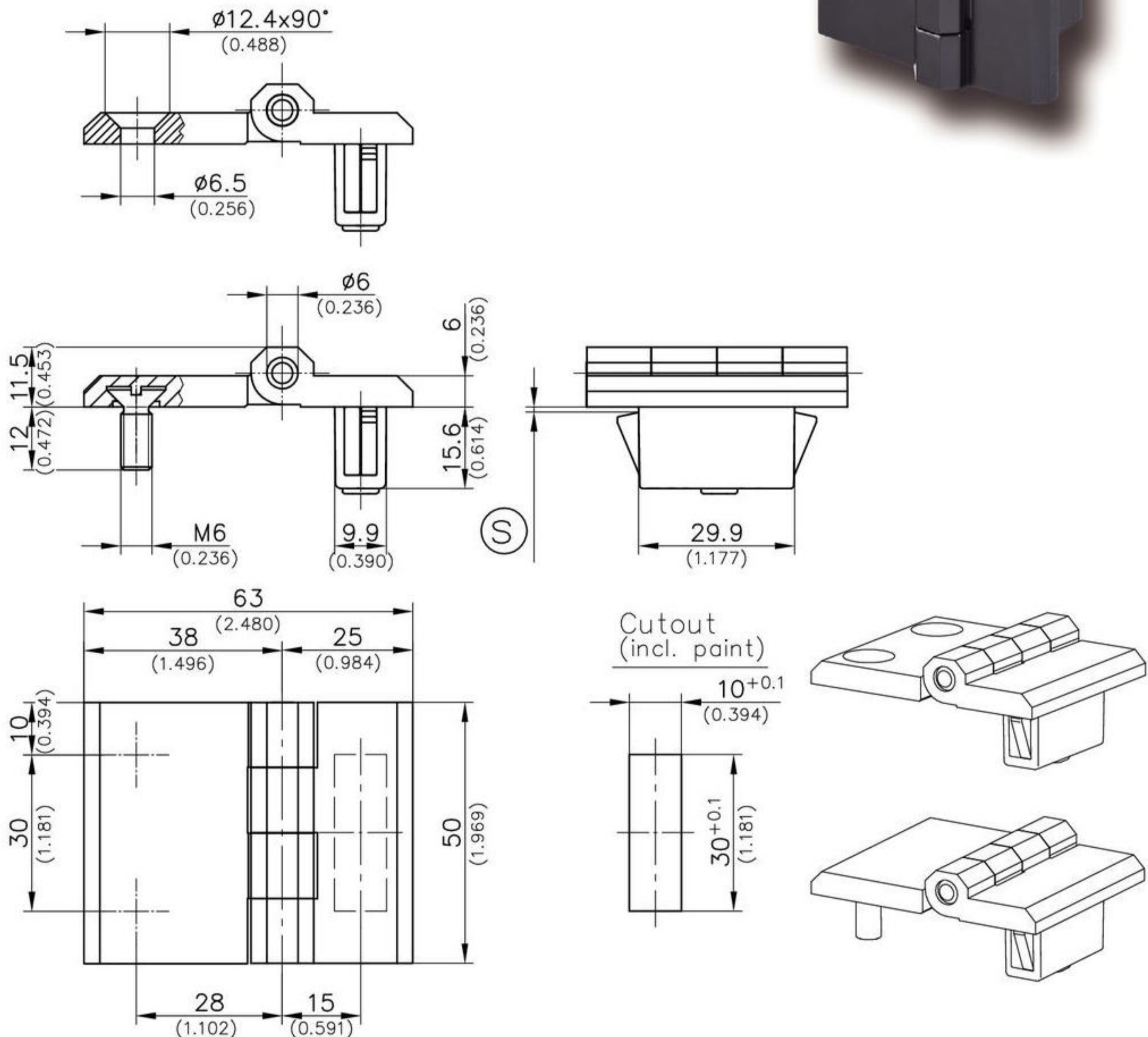


Hinge SNAP-LINE.

- Combination: The short hinge half with D-SNAP-technology, the long hinge half with M6 molded in countersunk screws or with countersunk holes M6.
- Allows for "corner" -applications.
- RH or LH application.

Material:

- **Hinge Parts:** zinc die, black
- **Pin:** stainless steel
- **Snap wedges:** sintered metal, plated



clamping range ©	with molded in countersunk screws	with countersunk holes for countersunk screws	see page
1,2 - 1,7	418-9103.00-00015	418-9102.00-00015	
1,7 - 2,2	418-9103.00-00020	418-9102.00-00020	
2,2 - 2,7	418-9103.00-00025	418-9102.00-00025	
2,7 - 3,2	418-9103.00-00030	418-9102.00-00030	
Other © - dimension on request!			
Cover for cutout 30x10	292-0401.00-03010	292-0401.00-03010	01.107
Reinforcement plate for thin-walled sheets and for higher loads:	292-0702.15-01030	292-0702.15-01030	01.108
Tool for uninstallation	292-0306.80-02530	292-0306.80-02530	01.109