

4-262 Hinge Pr01 270°

for nested door



Srew-on hinge

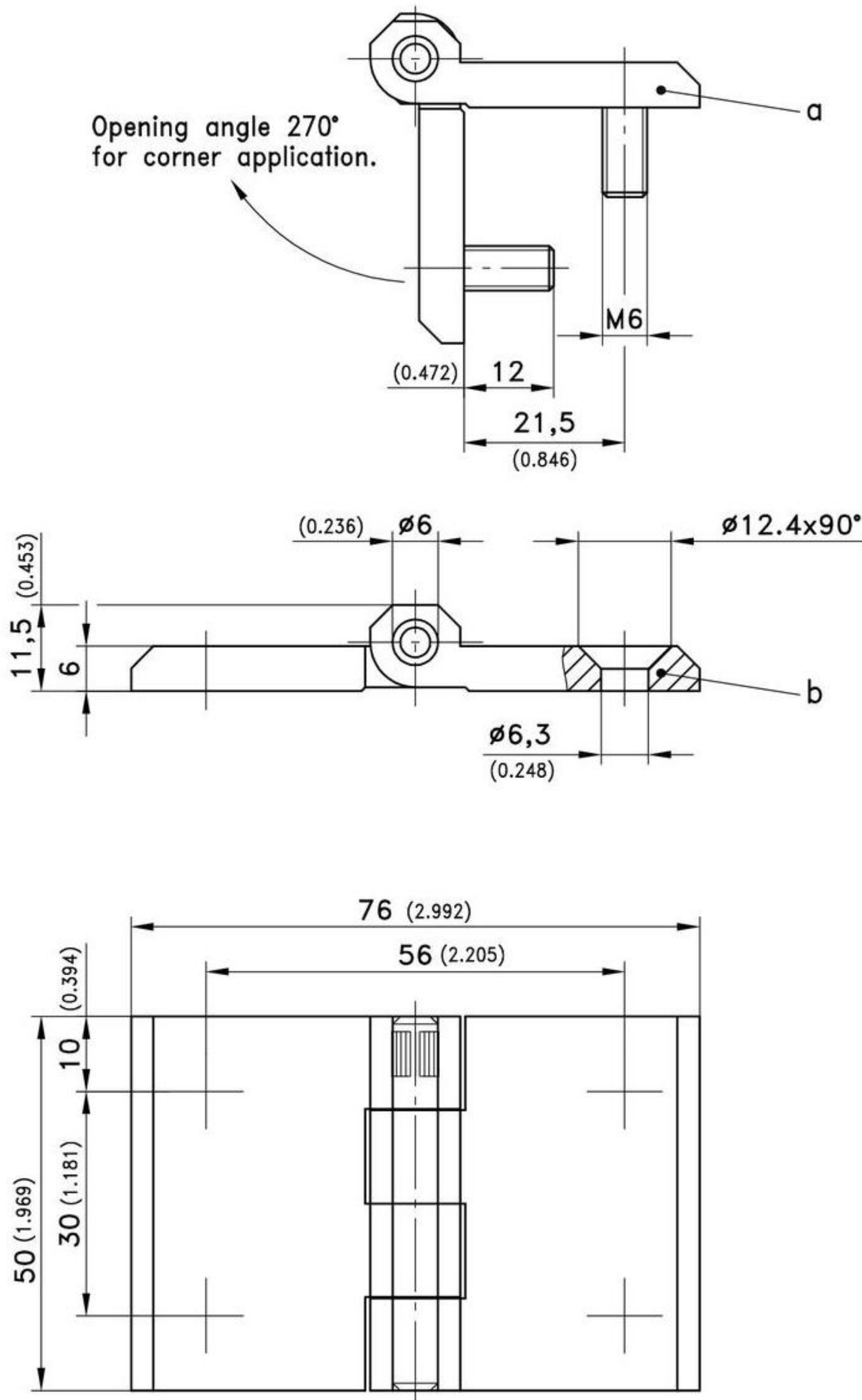
- RH or LH application.
- Allowing application around corner.
- Combination of versions a) and b) on request.

Material:

- **Hinge Parts:**
zinc die, black or chrome plated
- **Pivot pin and molded in screws:**
stainless steel



Opening angle 270°
for corner application.



Version	chrome plated	black	see page
a) Hinge with screws M6 molded in	218-9105	218-9106	
b) Hinge with countersunk holes for M6	218-9107	218-9108	
Countersunk machine screws zinc plated			09.5
Version b) in stainless steel			10.47