

4-260 Hinge Pr01 270°

for nested door

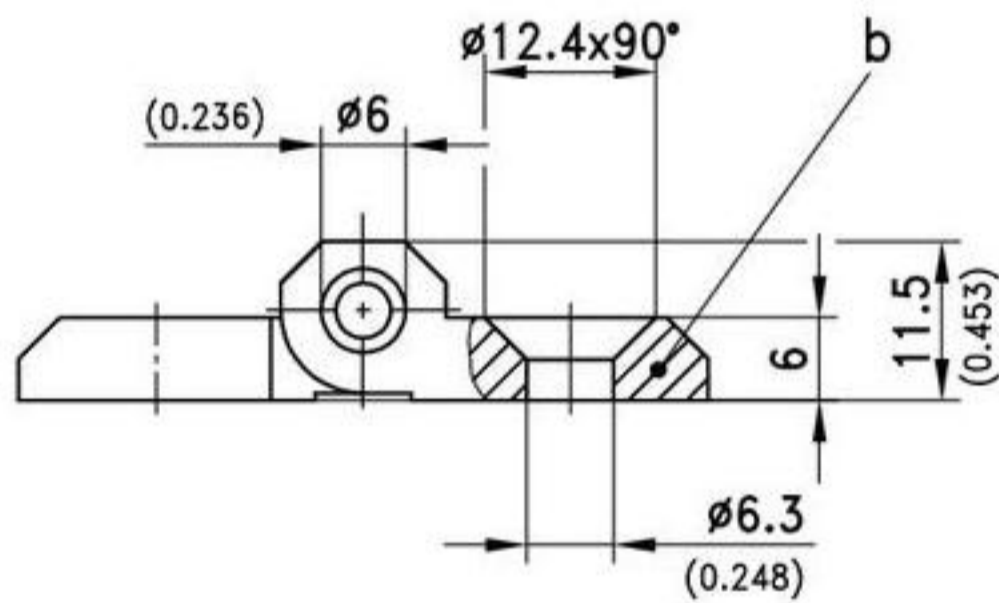
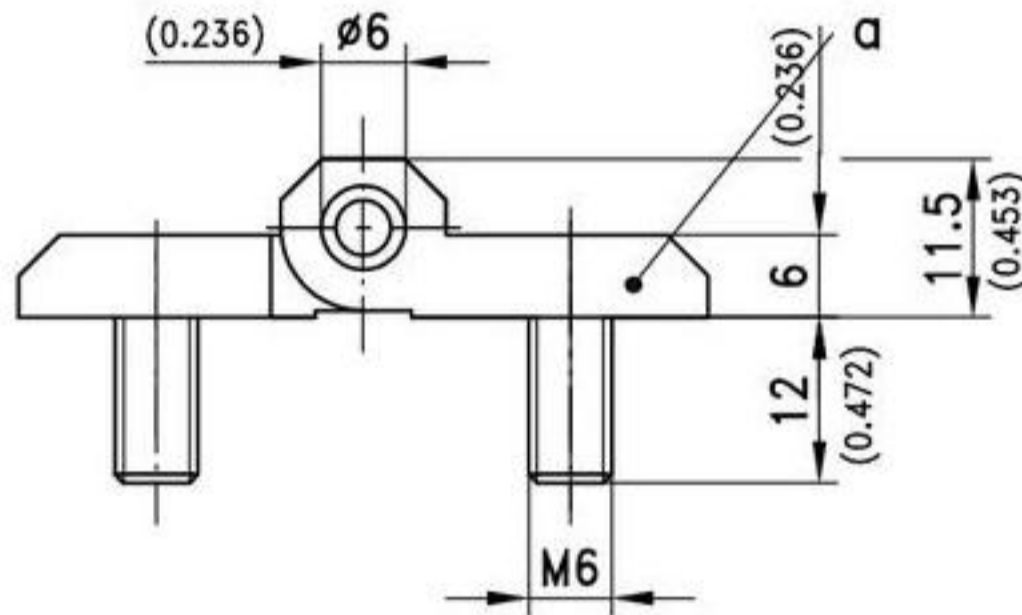


Screw-on Hinge with or without grounding/earthing device.

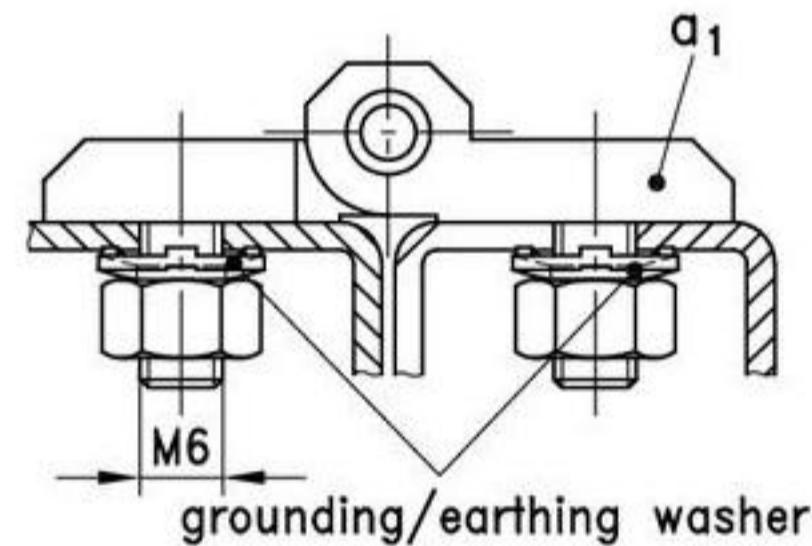
- RH or LH application.
- Opening Angle min. 180°, with version a) 180°
b) 270°

Material:

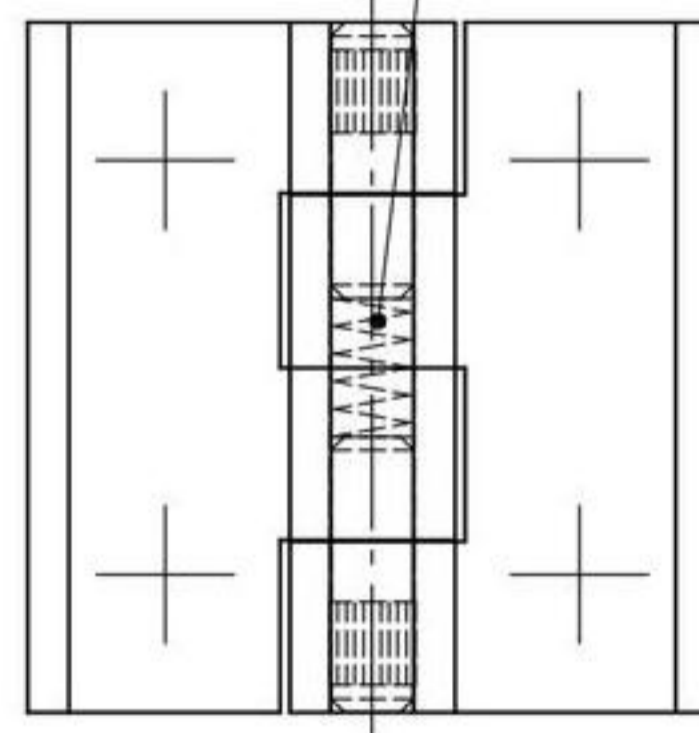
- **Hinge Parts:**
zinc die, black or chrome plated
- **Pivot pin and molded in screws:**
stainless steel to a1)
- **Pin:**
steel, zinc plated
- **Grounding/earthing washer:**
steel, zinc plated
- **Spring:**
spring steel



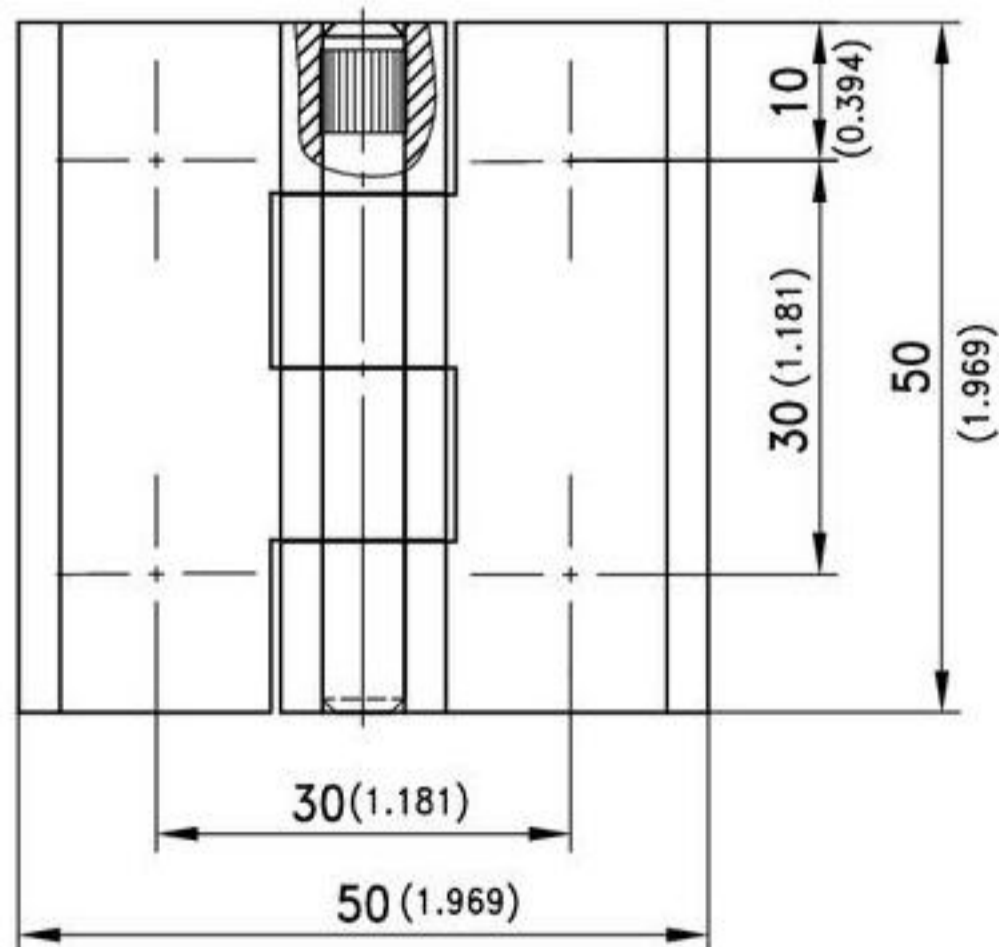
grounding/earthing version



contact spring



grounding/earthing version
limited current passage



Version	chrome plated	black	see page
a) Hinge with screws M6 molded in	218-9101	218-9102	
a1) as a), but grounding / earthing version	-	218-9412	
b) with countersunk holes for M6	218-9103	218-9104	
Grounding/earthing washer for a1), 4 pieces	800-0411	800-0411	
Combinations of version a) and b) on request.			
Version b) in stainless steel			10.46
Countersunk machine screws zinc plated			09.5

4-260SL Hinge Pr01 SNAP-LINE 180°

nested door

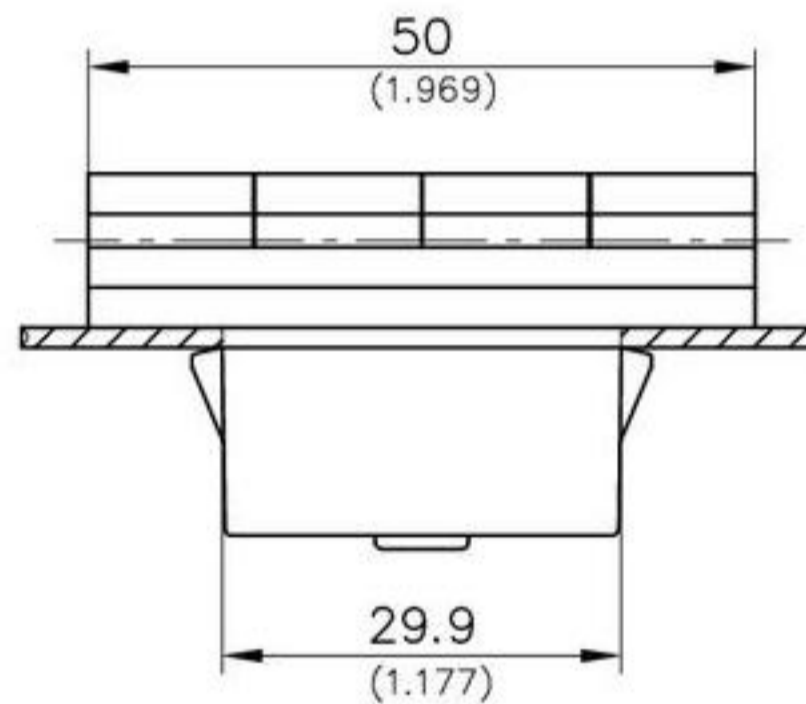
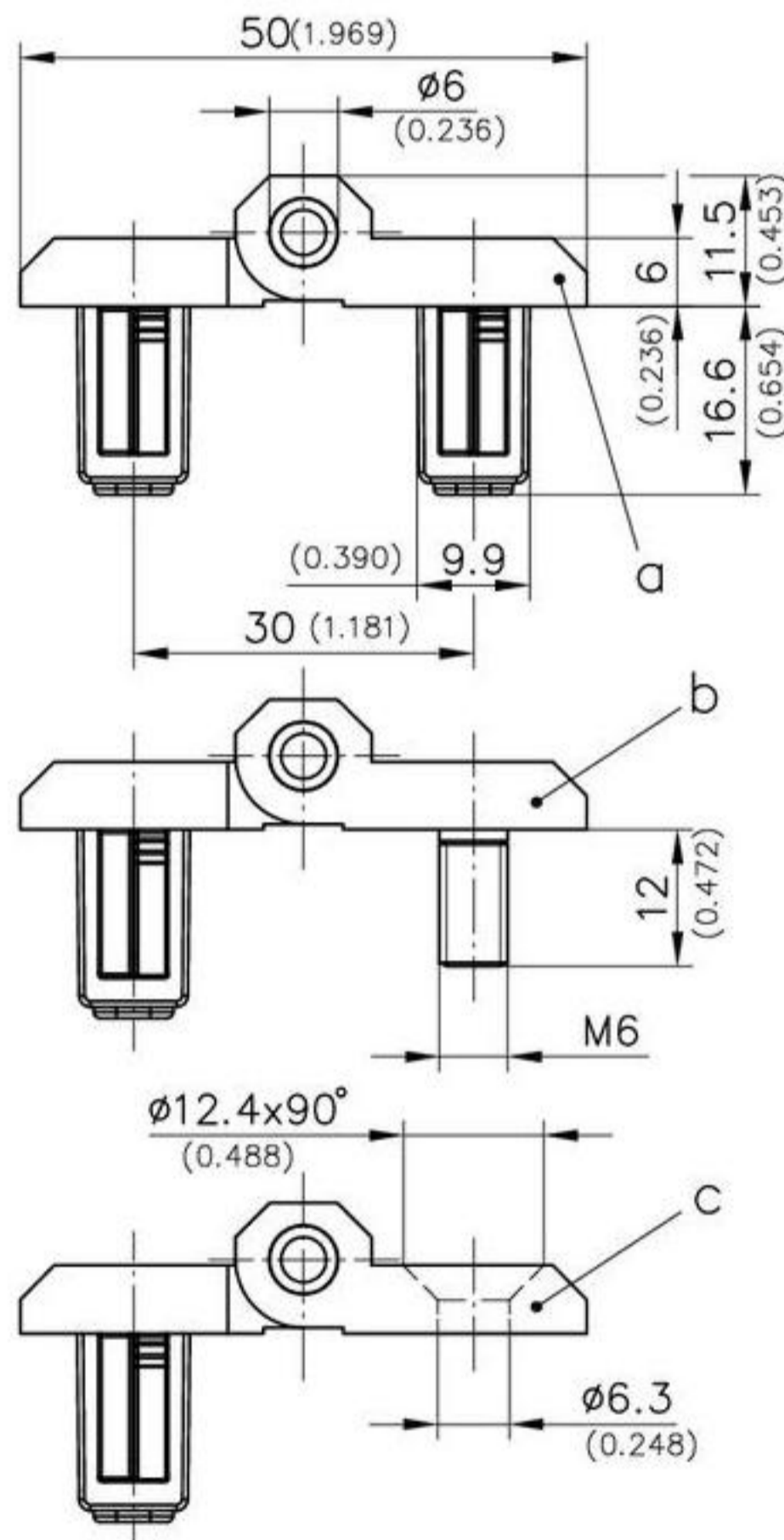


Hinge 50x50 SNAP-LINE

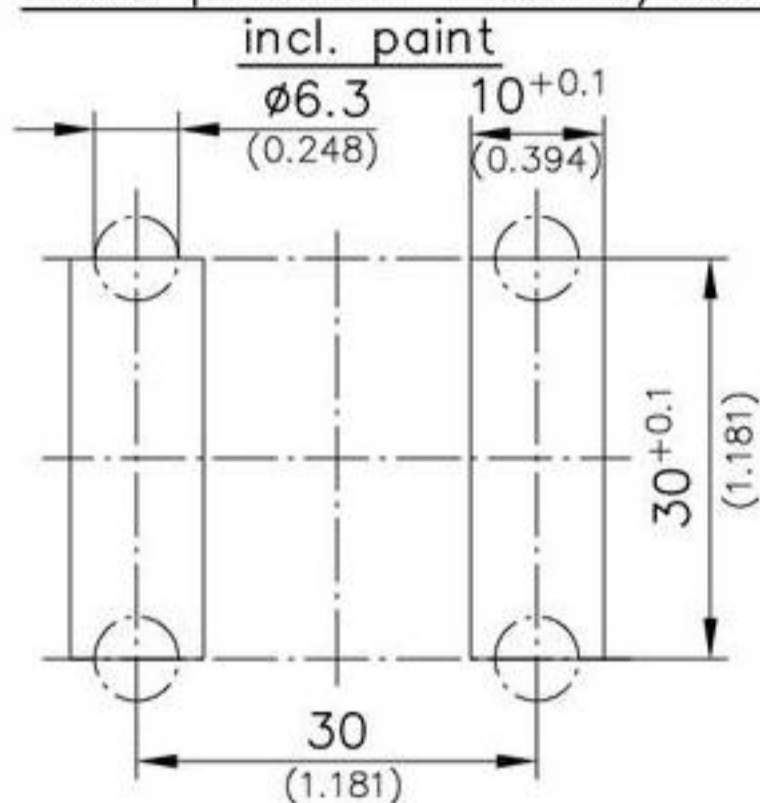
- The installation is effected by a simple push into appropriate cutouts.
- Other data and dimensions see page 06.11.

Material:

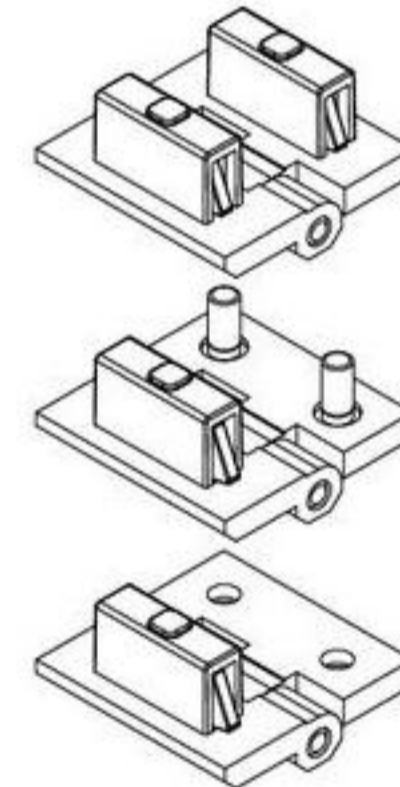
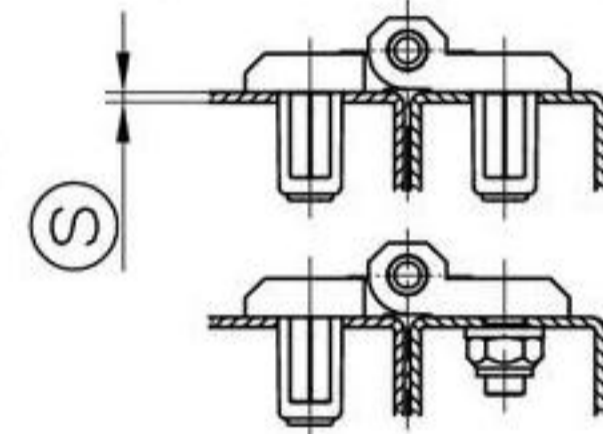
- Hinge Parts:** zinc die, black
- Pin:** stainless steel
- Pin molded in:** steel, zinc plated
- Snap wedges:** sintered metal, plated



Hole pattern Frame/Door



Examples of application



	clamping range ©	Part No.	see page
a) Hinge, snap-in	1,2 - 1,7	418-9101.00-00015	
	1,7 - 2,2	418-9101.00-00020	
	2,2 - 2,7	418-9101.00-00025	
	2,7 - 3,2	418-9101.00-00030	
b) Hinge, snap-in/screw-on with screws M5 molded in	1,2 - 1,7	418-9104.00-00015	
	1,7 - 2,2	418-9104.00-00020	
	2,2 - 2,7	418-9104.00-00025	
	2,7 - 3,2	418-9104.00-00030	
c) Hinge, snap-in/screw-on for countersunk screws M5	1,2 - 1,7	418-9106.00-00015	
	1,7 - 2,2	418-9106.00-00020	
	2,2 - 2,7	418-9106.00-00025	
	2,7 - 3,2	418-9106.00-00030	
d) Countersunk machine screws			09.5
e) Cover for cutout 30x10		292-0401.00-03010	01.106
f) Reinforcement plate for thin-walled sheets and for higher loads:		292-0702.15-01030	01.108
g) Tool for uninstallation		292-0306.80-02530	01.109