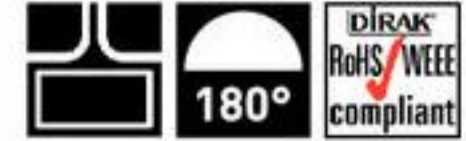


4-250 Hinge Pr01 180°

for nested door

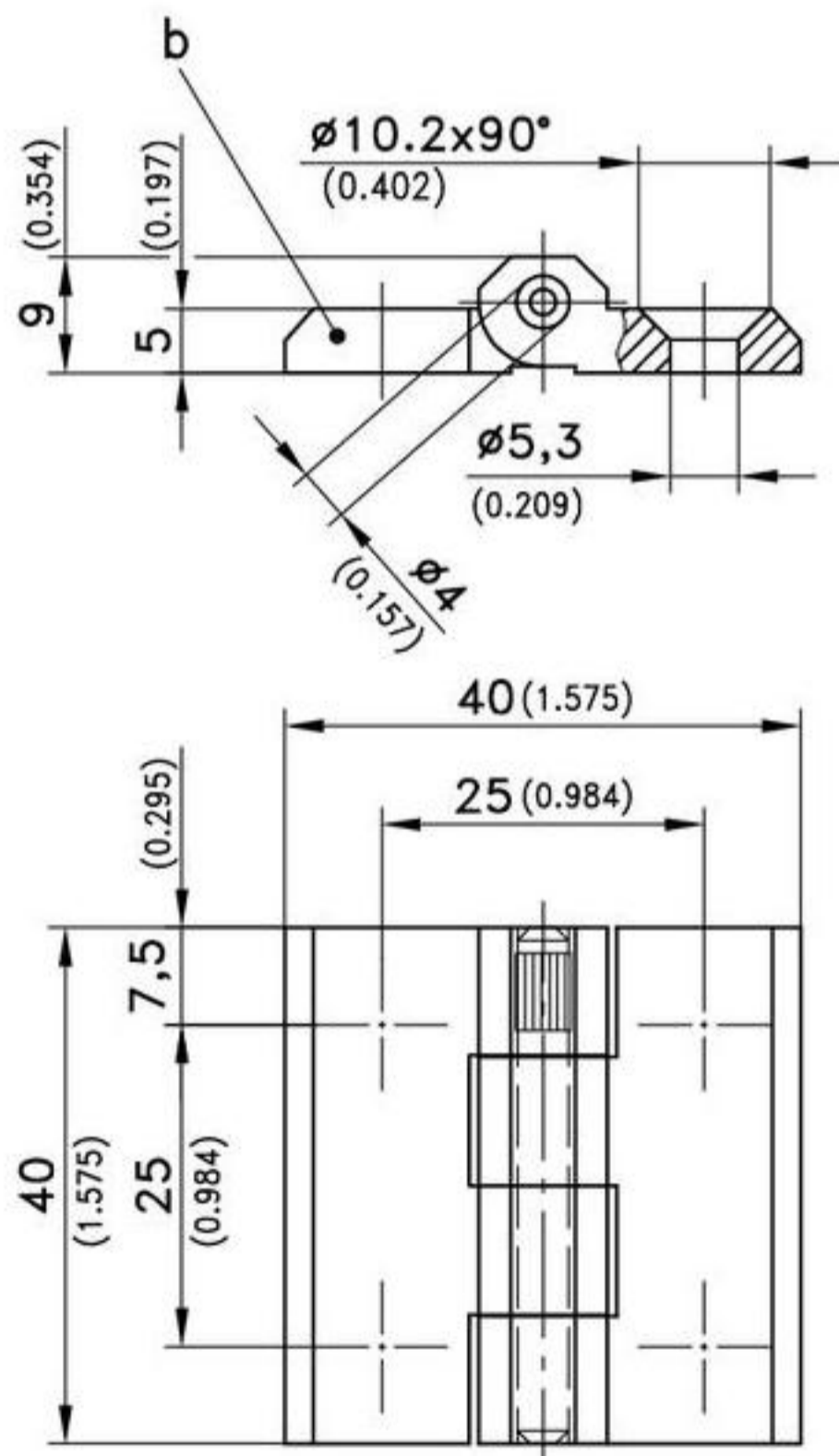
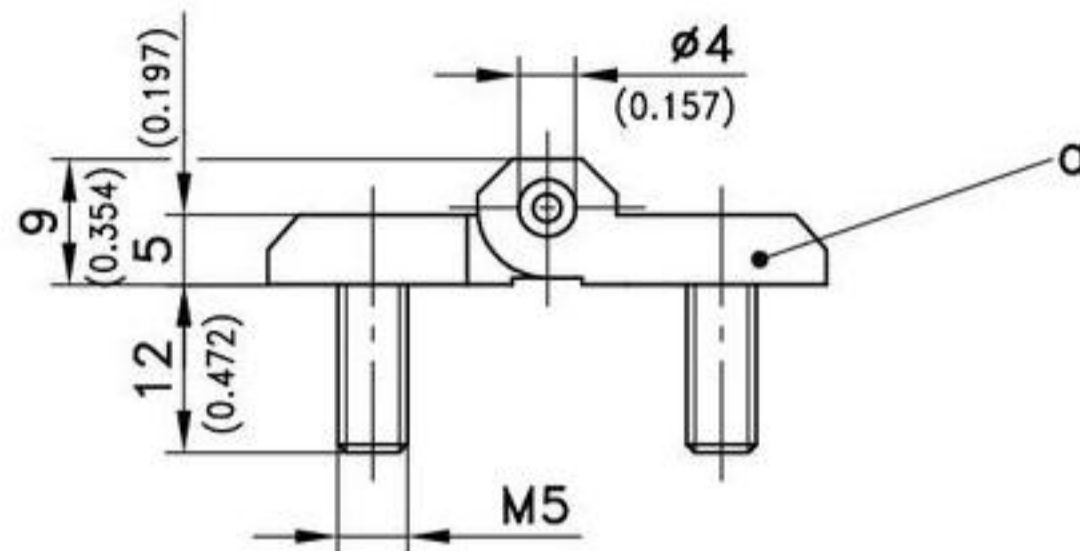


Screw-on Hinge with or without grounding/earthing device.

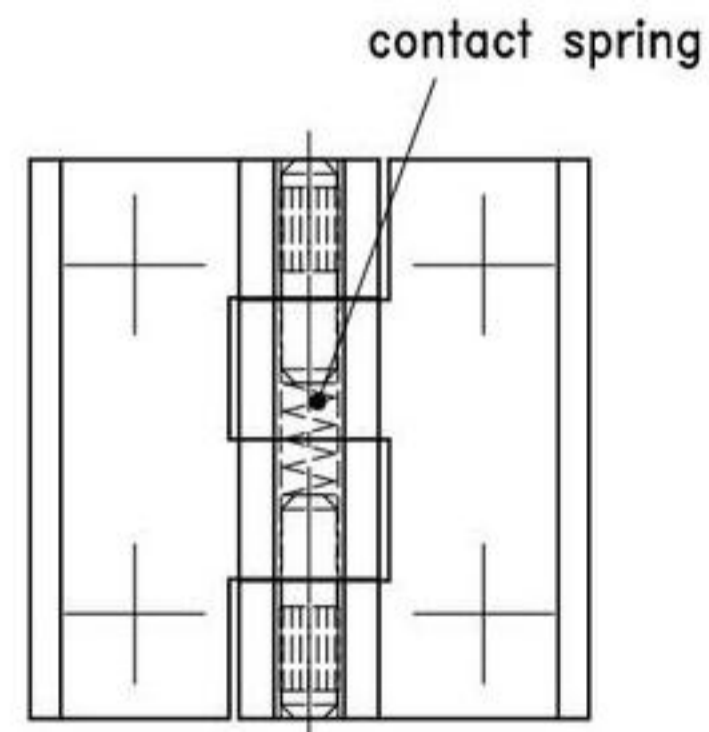
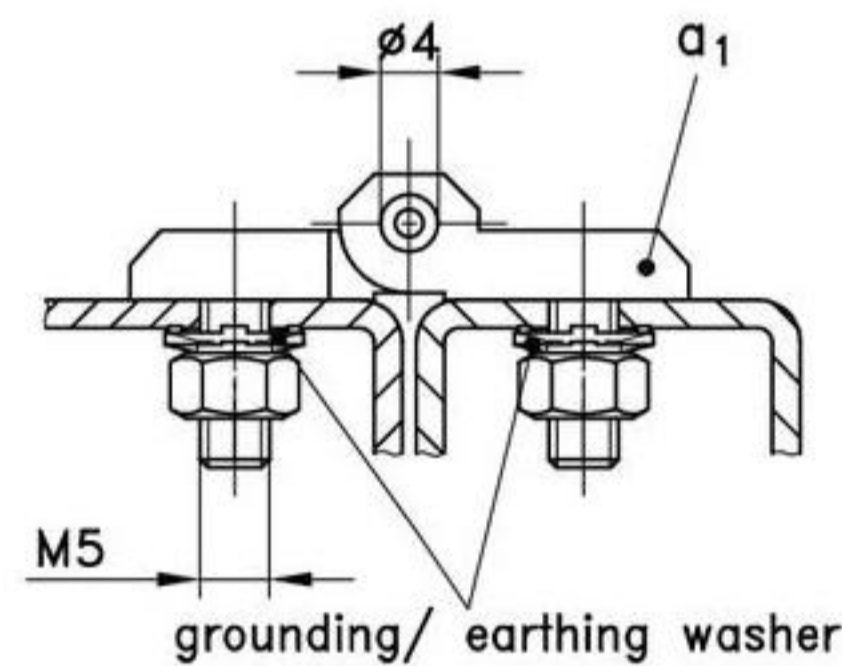
- RH or LH application.
- Opening Angle min. 180°, with version b) 270°

Material:

- **Hinge Parts:**
zinc die, black or chrome plated
- **Pivot pin and molded in screws:**
stainless steel to a1)
- **Pin:**
steel, zinc plated
- **Grounding/earthing washer:**
steel, zinc plated
- **Spring:**
spring steel



grounding / earthing version



grounding / earthing version
limited current passage

Version	chrome plated	black	see page
a) Hinge with screws M5 molded in	218-9001	218-9002	
a1) as a), but grounding/earthing version	-	218-9402	
b) Hinge with countersunk holes for M5	218-9003	218-9004	
Grounding/earthing washer for a1), 4 pieces	861-0176.07-00005	861-0176.07-00005	
Combination of versions a) and b) on request.			
Version b) in stainless steel			10.46
Countersunk machine screws zinc plated			09.5

4-250SL Hinge Pr01 SNAP-LINE 180°

nested door

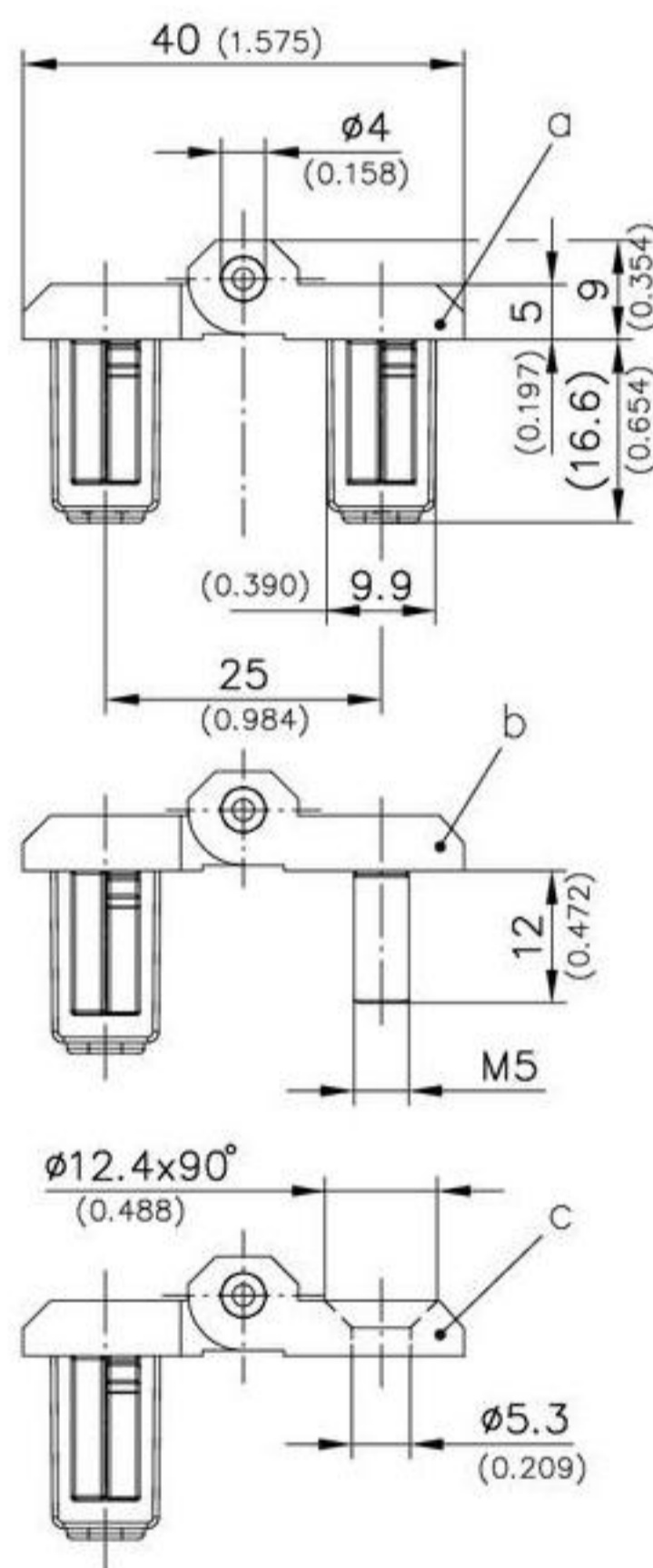


Hinge 40x40 SNAP-LINE

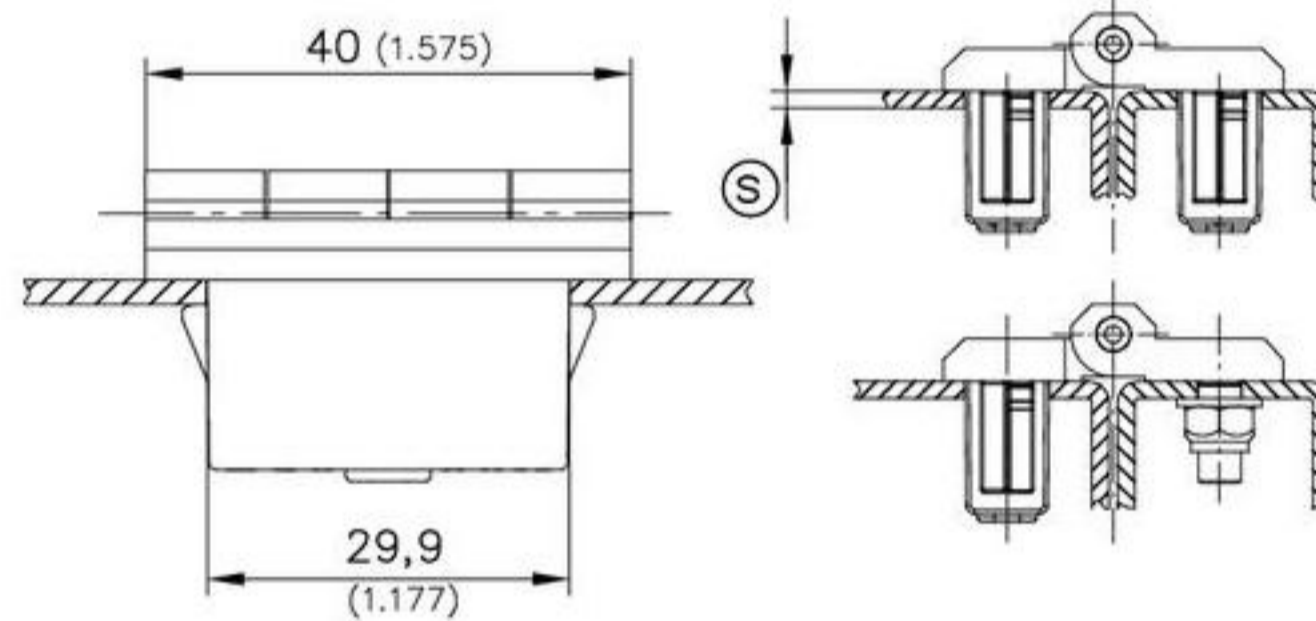
- The installation is effected by a simple push into appropriate cutouts.

Material:

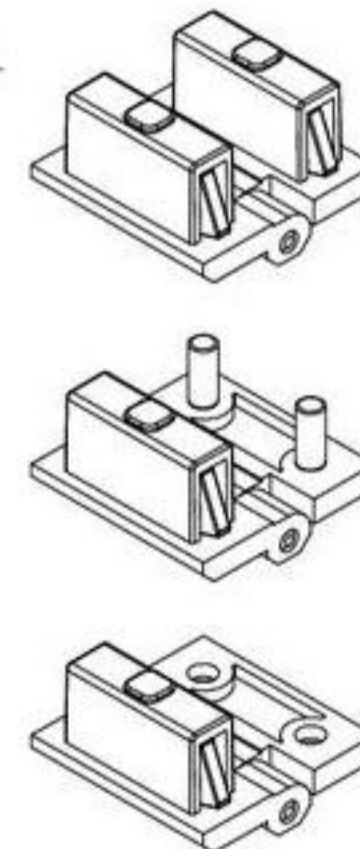
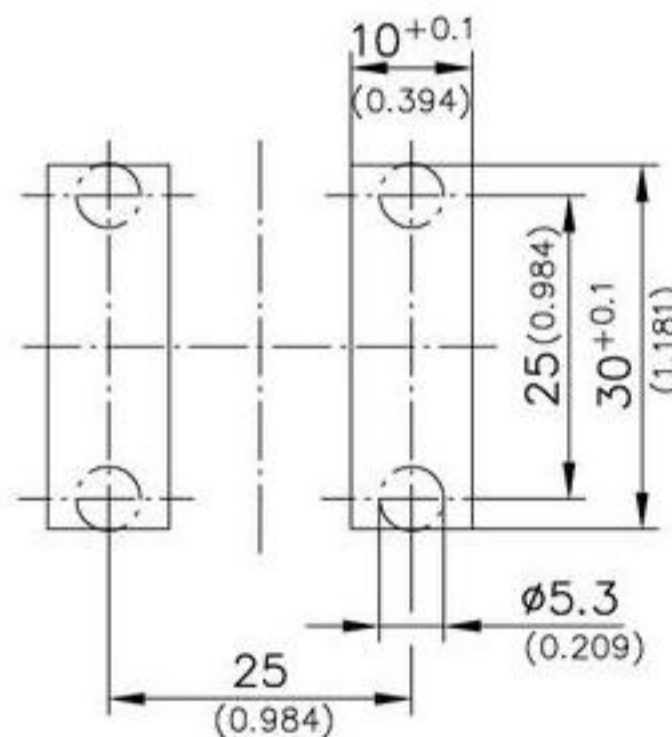
- Hinge Parts:** zinc die, black
- Pin:** stainless steel
- Snap wedges:** sintered metal, plated
- Other dimensions see page 06.10.**



Examples of application



Hole pattern Frame/Door
(incl. paint)



	clamping range ☉	Part No.	see page
a) Hinge, snap-in	1,2 - 1,7	418-9001.00-00015	
	1,7 - 2,2	418-9001.00-00020	
	2,2 - 2,7	418-9001.00-00025	
	2,7 - 3,2	418-9001.00-00030	
b) Hinge, snap-in/screw-on with screws M5 molded in	1,2 - 1,7	418-9002.00-00015	
	1,7 - 2,2	418-9002.00-00020	
	2,2 - 2,7	418-9002.00-00025	
	2,7 - 3,2	418-9002.00-00030	
c) Hinge, snap-in/screw-on for countersunk screws M5	1,2 - 1,7	418-9003.00-00015	
	1,7 - 2,2	418-9003.00-00020	
	2,2 - 2,7	418-9003.00-00025	
	2,7 - 3,2	418-9003.00-00030	
d) Countersunk machine screws			09.5
e) Cover for cutout 30x10		292-0401.00-03010	01.106
f) Reinforcement plate for thin-walled sheets and for higher loads:		292-0702.15-01030	01.108
g) Tool for uninstallation		292-0306.80-02530	01.109