



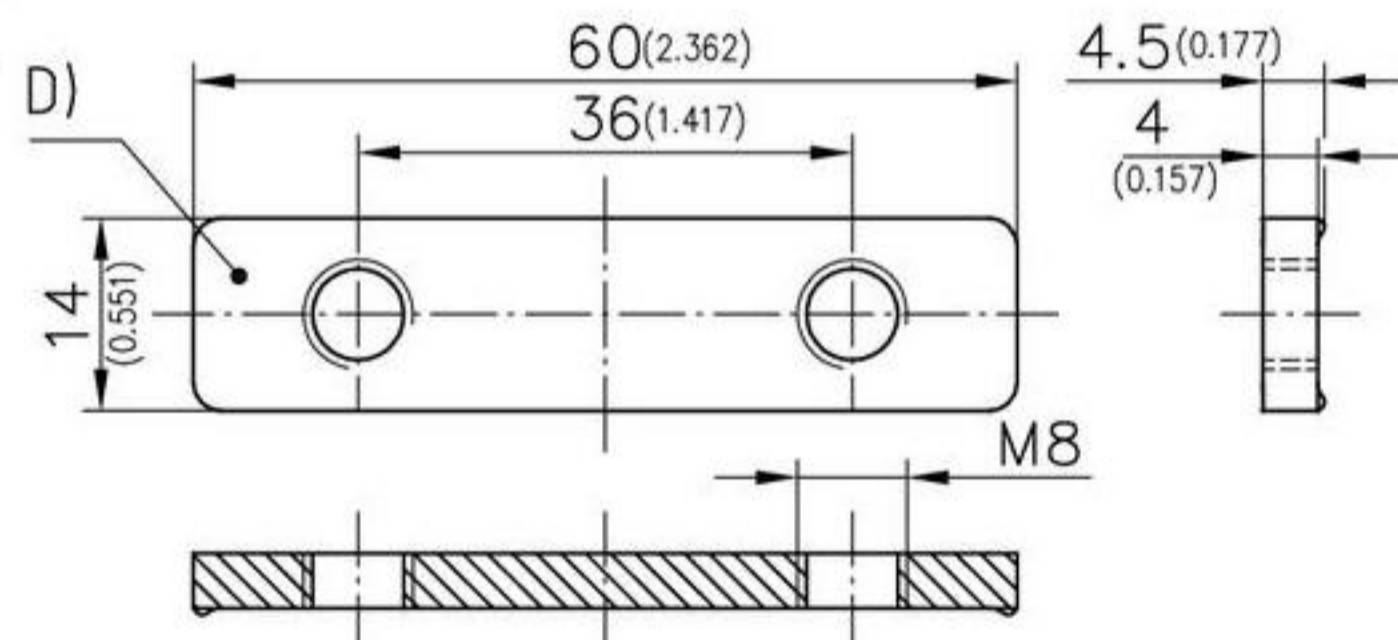
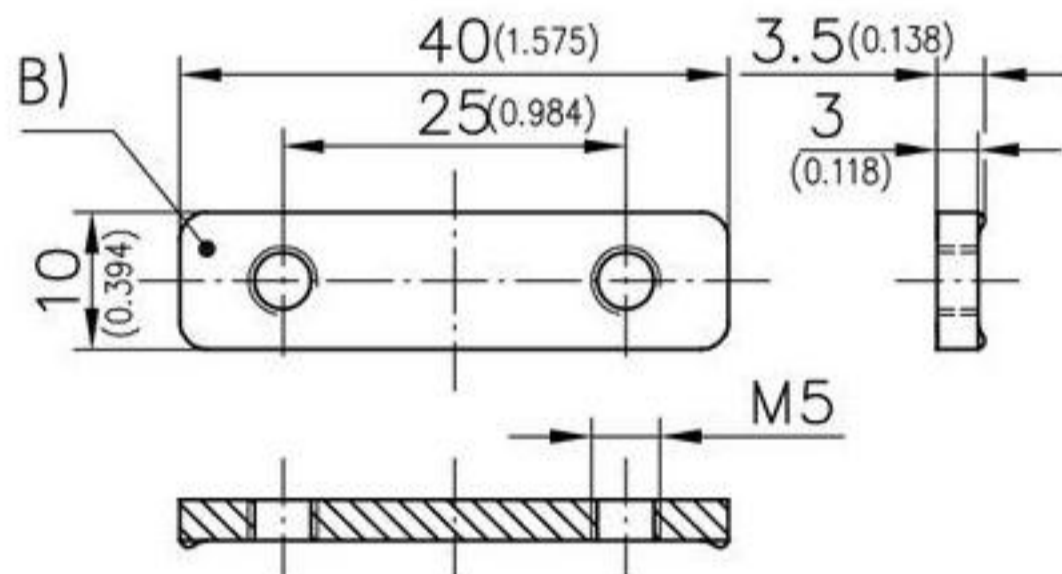
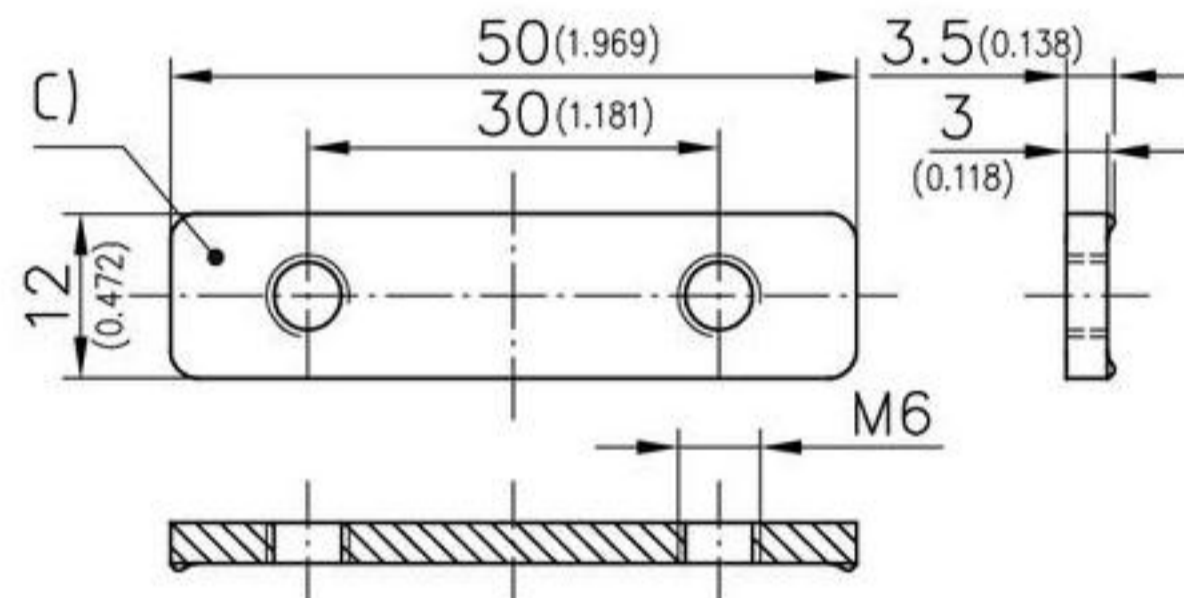
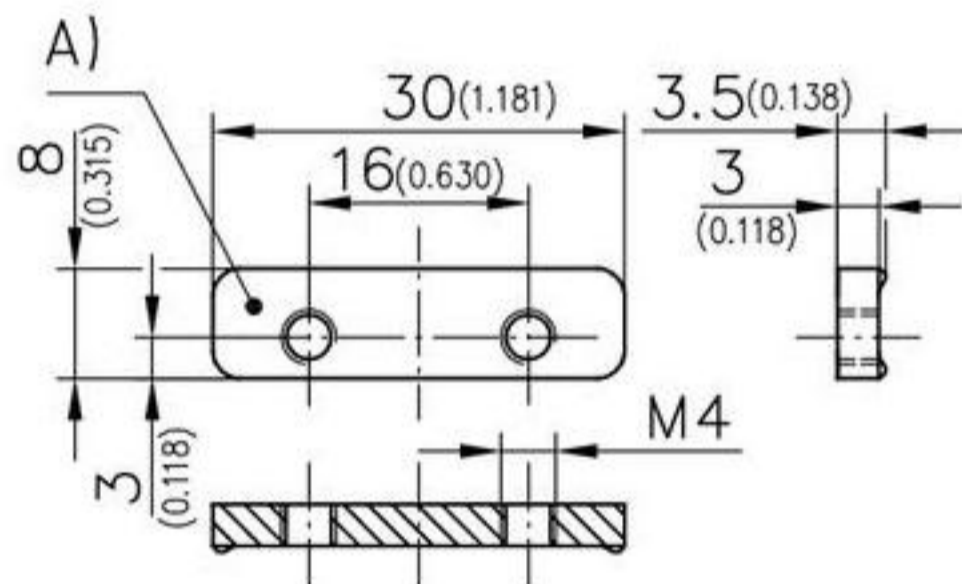
## 6-042 Nut plates

The nut plates have been designed to allow an easy installation of the hinges in our 218-series. Tightening the screws from the outside only.

**Material:**

- **Nut plate:** steel, zinc plated

- Elimination of the time-consuming fitting of small single nuts in often quite difficult accessible corners.
- Oversized holes/cutouts allow for horizontal and/or vertical adjusting.
- Adjustment and alignment with just one tool, only from outside.
- The teeth on all 4 corners create enough friction to simplify installation and adjusting.
- If this friction is not wanted: these teeth can also point away from the inner skin of the door/frame.

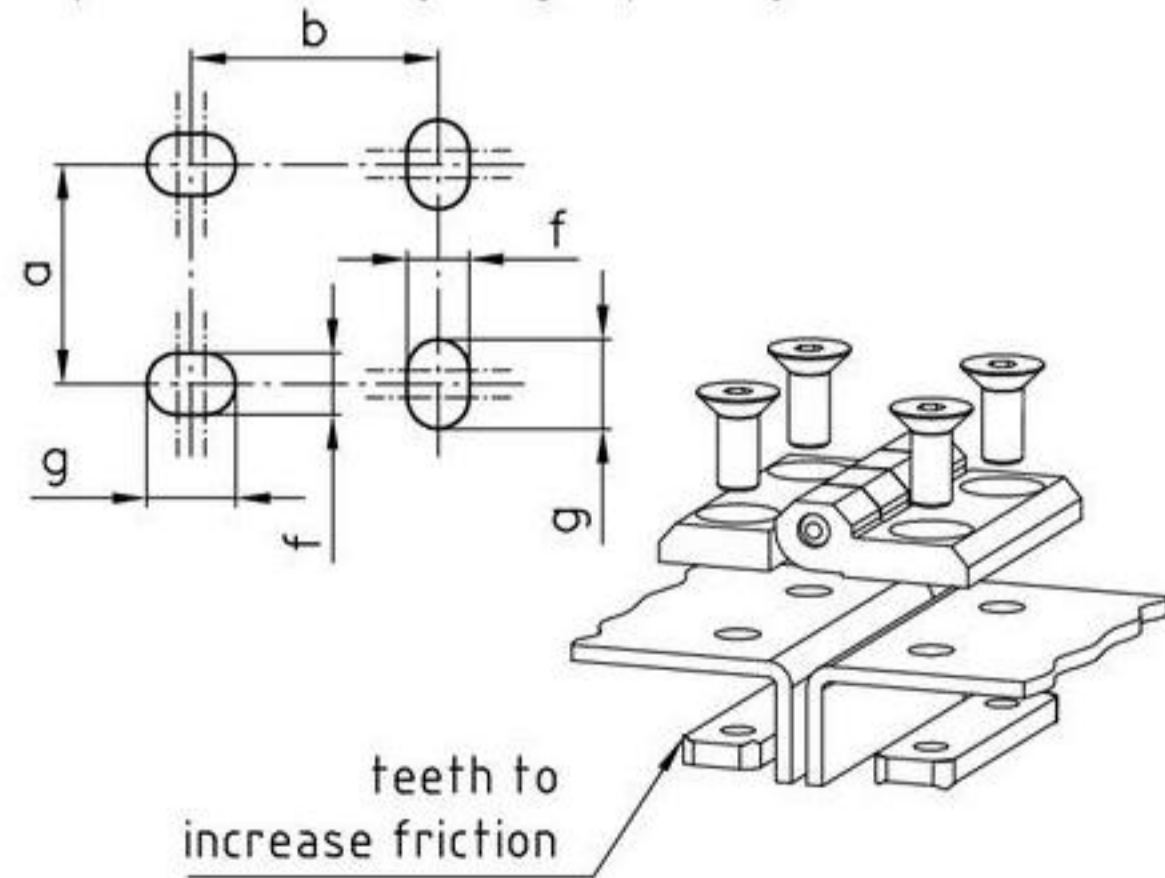
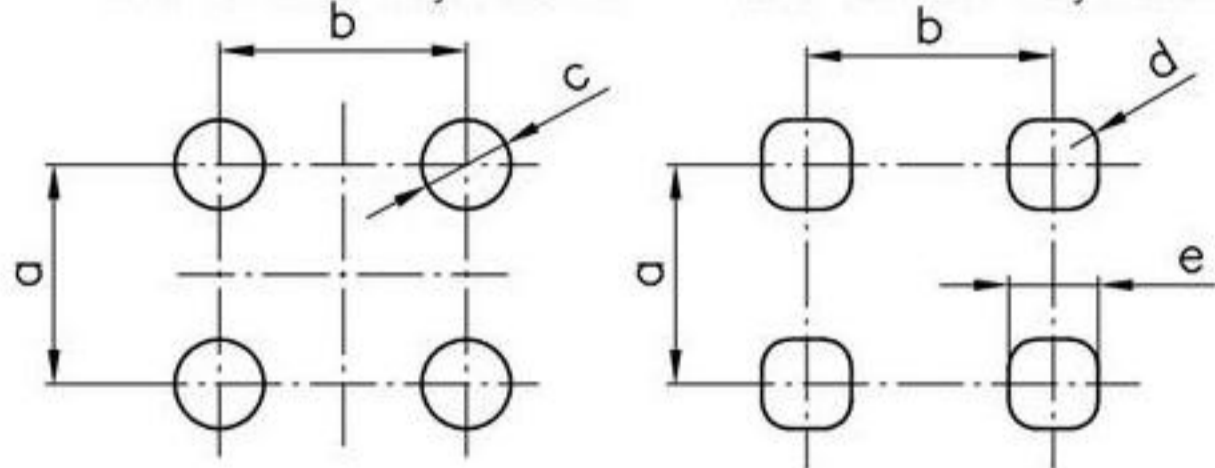


**Hole pattern incl. paint**

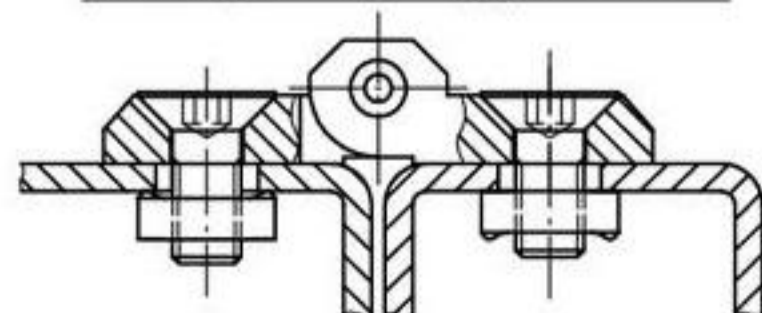
hole pattern for horizontal and vertical adjustment

hole pattern for horizontal and vertical adjustment

hole pattern for horizontal and/or vertical adjusting separately.



**Example of application**



	a	b	c	d	e	f	g	Part No.
A)	16	18	Ø6,5	R2	□6,5	4,5	6,5	218-0907.15
B)	25	25	Ø7,5	R2,5	□7,5	5,5	7,5	218-0908.15
C)	30	30	Ø8,5	R3	□8,5	6,5	8,5	218-0909.15
D)	36	36	Ø10,5	R4	□10,5	8,5	10,5	218-0910.15