

4-346 Hinge Pr01 160°

Lift-off, nested door

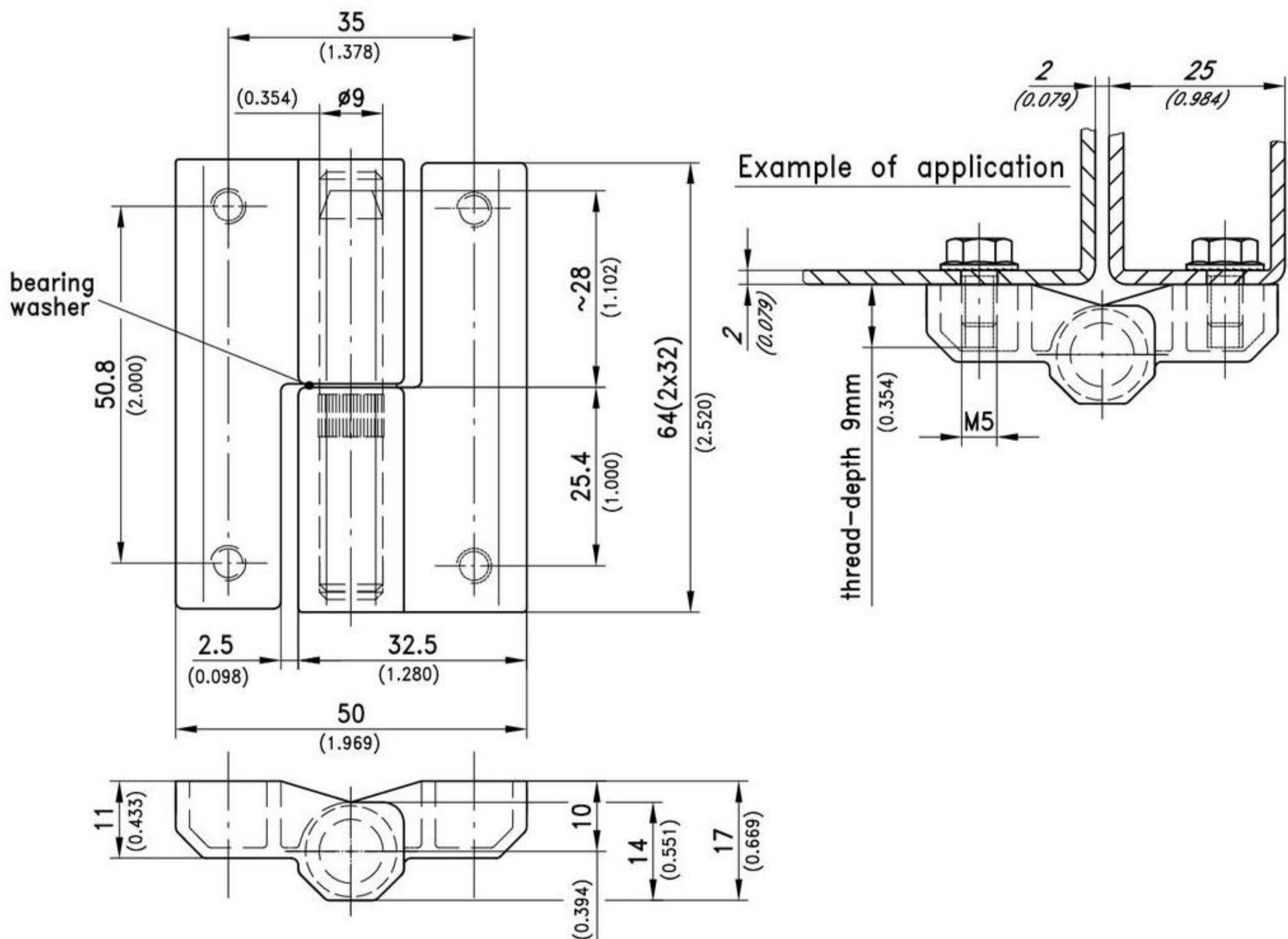


Elegant Screw-on Hinge for nested/flush constructions.

- Opening angle 160°.
- The fitting screws are concealed.
- see page 06.21
- The 35mm screw-distance allows for easier fitting.

Material:

- **Hinge Parts:**
zinc die, chrome plated or black coated
- **Pin:**
stainless steel
- **Bearing washer:**
Teflon, black or white



Version	chrome plated RH	chrome plated LH	black RH	black LH
Srew-on hinge	217-9507	217-9508	217-9509	217-9510
4 screws M5x8 with under head serrations and a Teflon bearing washer are included.				

4-346SL Hinge Pr01 SNAP-LINE 160°

Lift-off nested door

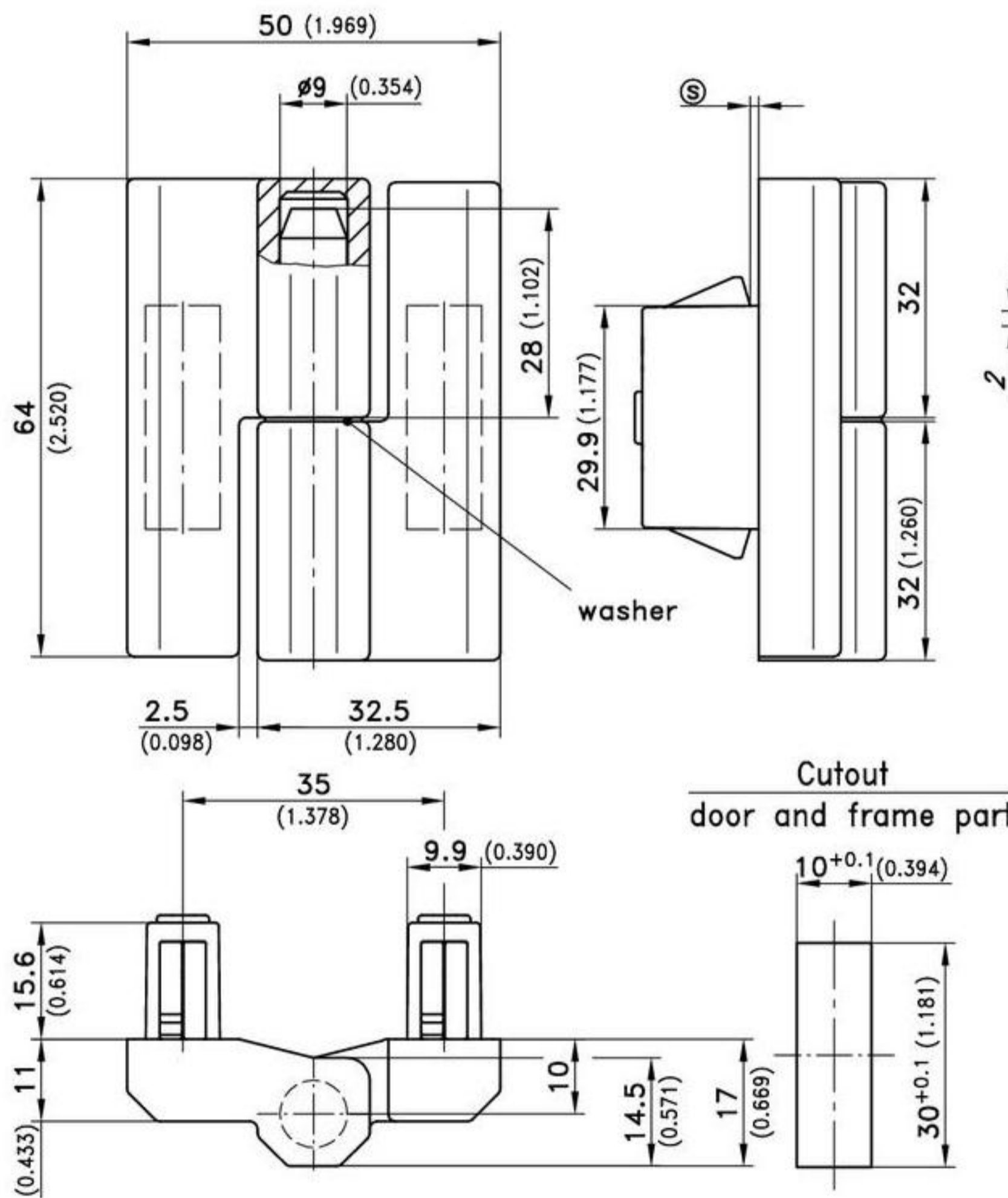


Appealing SNAP-LINE hinge for nested/flush constructions.

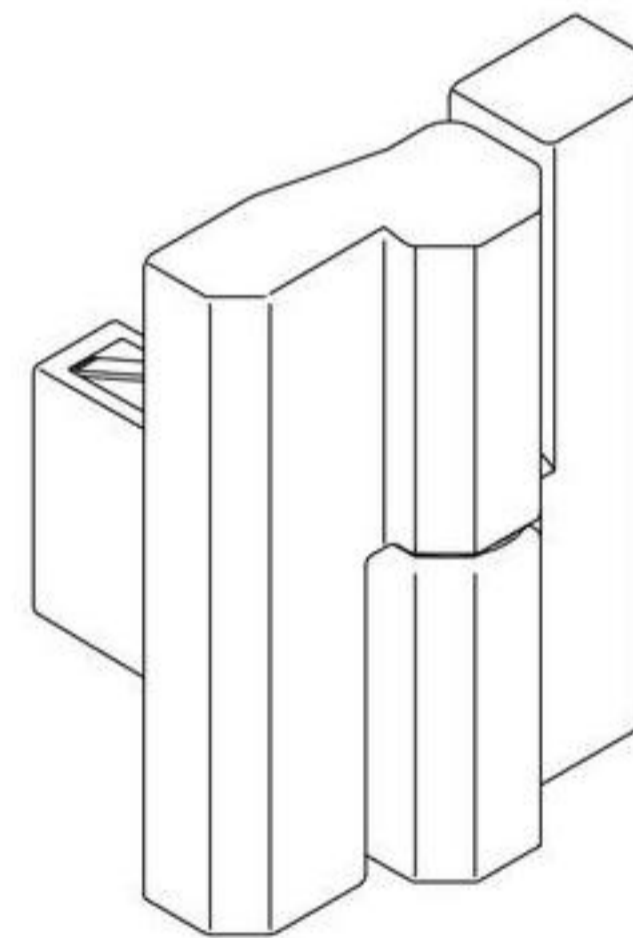
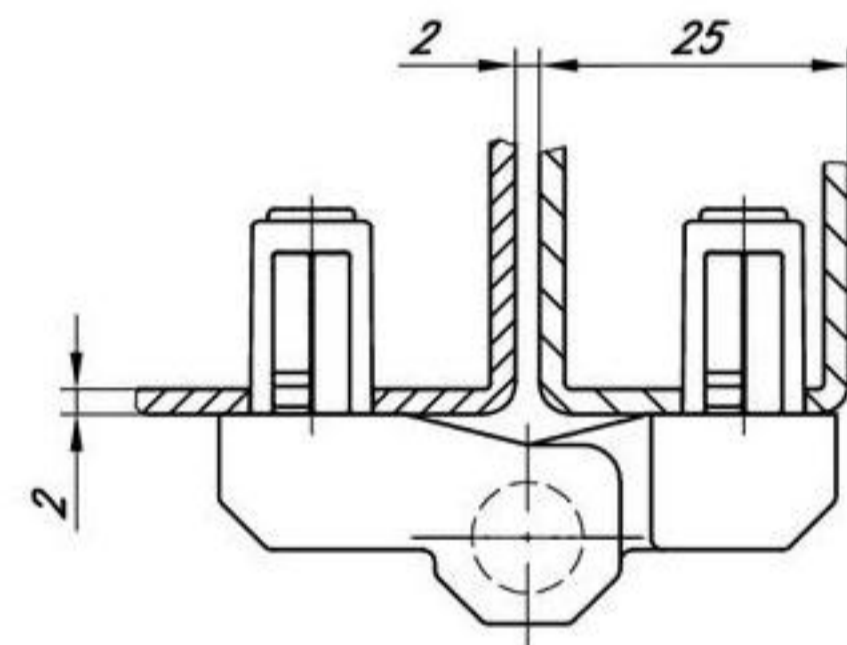
- Door is lift-off.
- Opening angle 160°.
- The installation of the frame part and door part is achieved by a simple push into appropriate cutouts.

Material:

- **Hinge Parts:**
zinc die, matt black
- **Solid Pin:**
stainless steel
- **Washer:**
Teflon, black
- **Snap wedges:**
sintered steel



Example of application



	clamping range [Ⓢ]	Part No.	see page
Hinge, RH (as drawn)	0,7 - 1,2	417-9007.00-00010	
	1,2 - 1,7	417-9007.00-00015	
	1,7 - 2,2	417-9007.00-00020	
	2,7 - 3,2	417-9007.00-00030	
Hinge, LH	0,7 - 1,2	417-9008.00-00010	
	1,2 - 1,7	417-9008.00-00015	
	1,7 - 2,2	417-9008.00-00020	
	2,7 - 3,2	417-9008.00-00030	
Cover for cutout 30x10		292-0401.00-03010	01.106, 07.19
Reinforcement plate for thin-walled sheets and for higher loads:		292-0702.15-01030	01.108
Tool for uninstallation		292-0306.80-02530	01.109