

4-345 Hinge Pr01/04 180°

for nested or surface mounted door

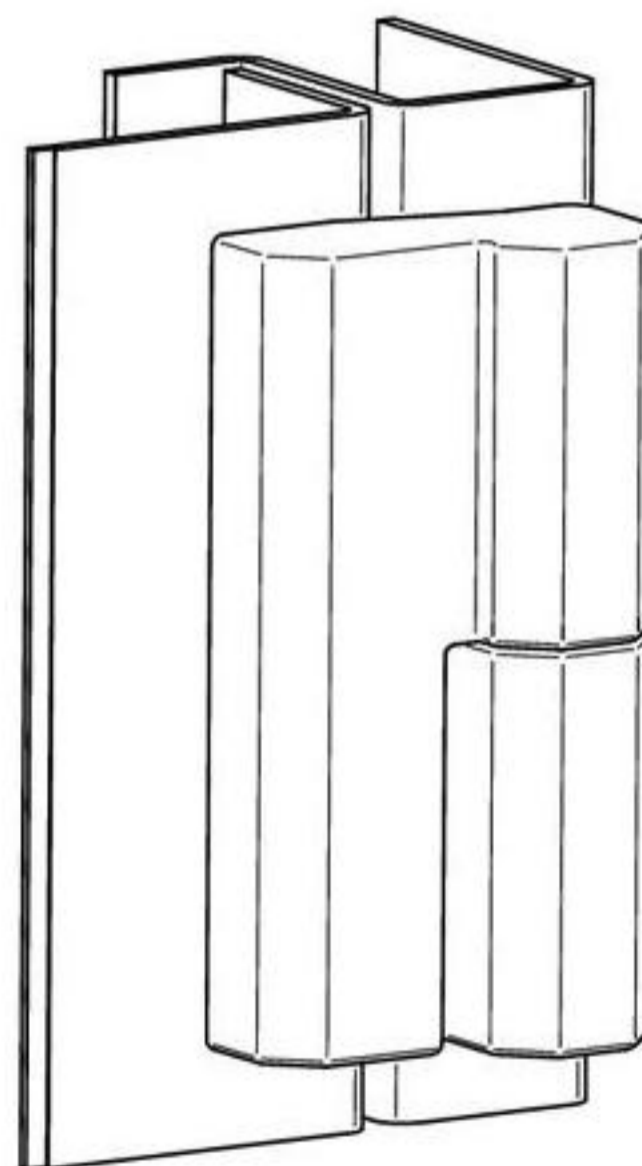
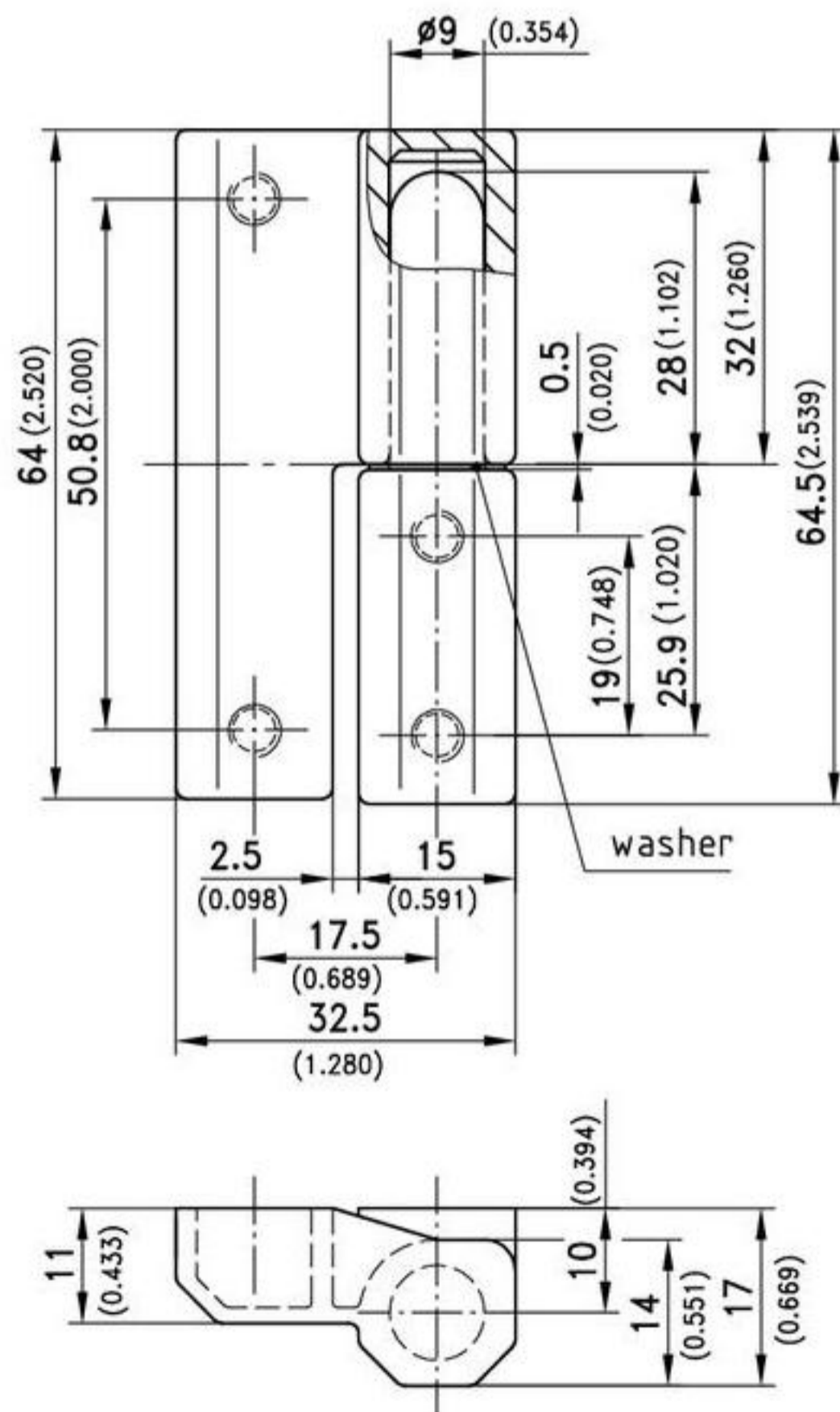


Elegant Screw-on Hinge for nested/flush constructions. • See page 06.22

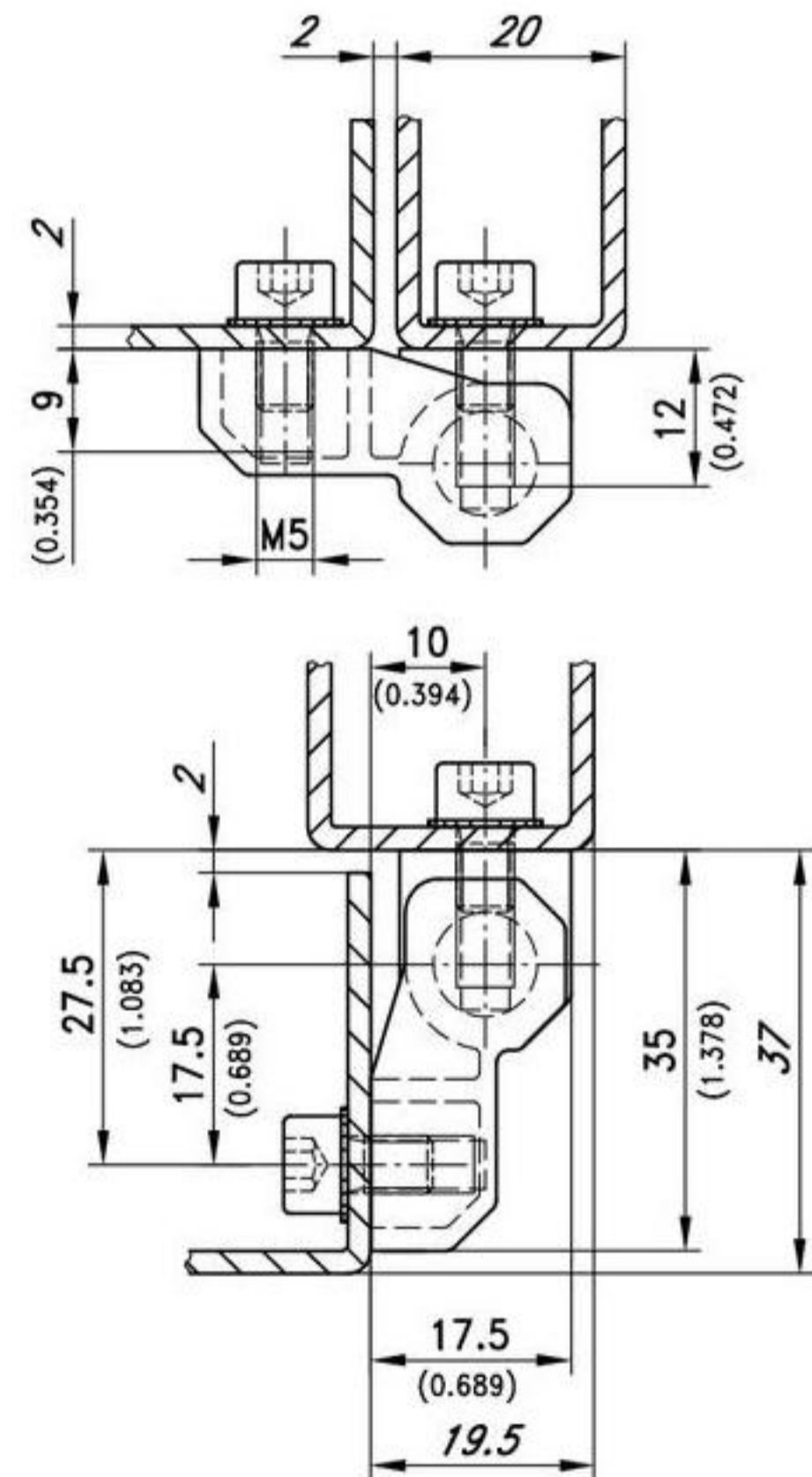
- Lift-off.
- The installation screws are concealed.
- Although designed initially for flush constructions, this hinge can also be used for surface mounted doors (refer to RH example of application).
- Attention: In this case the opening angle is only about 130°.
- Due to the endless number of different applications with often extremely limited fitting space (e.g. LH example of application) we do not include any screws for this hinge.

Material:

- **Hinge:** zinc die, chrome plated or black coated
- **Spacer:** Teflon, black or white



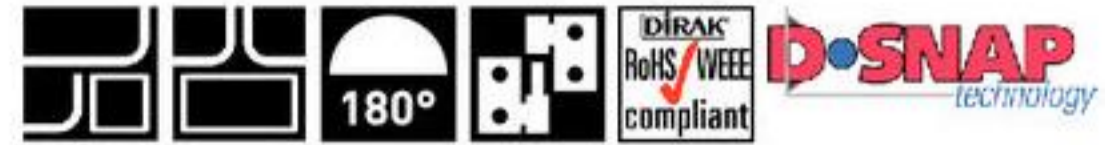
Examples of application



Version	chrome plated RH	chrome plated LH	black RH	black LH
Screw-on hinge	217-9505	217-9506	217-9503	217-9504

4-345SL Hinge Pr01/04 SNAP-LINE 180°

Lift-off hinge for nested/ or surface mounted door

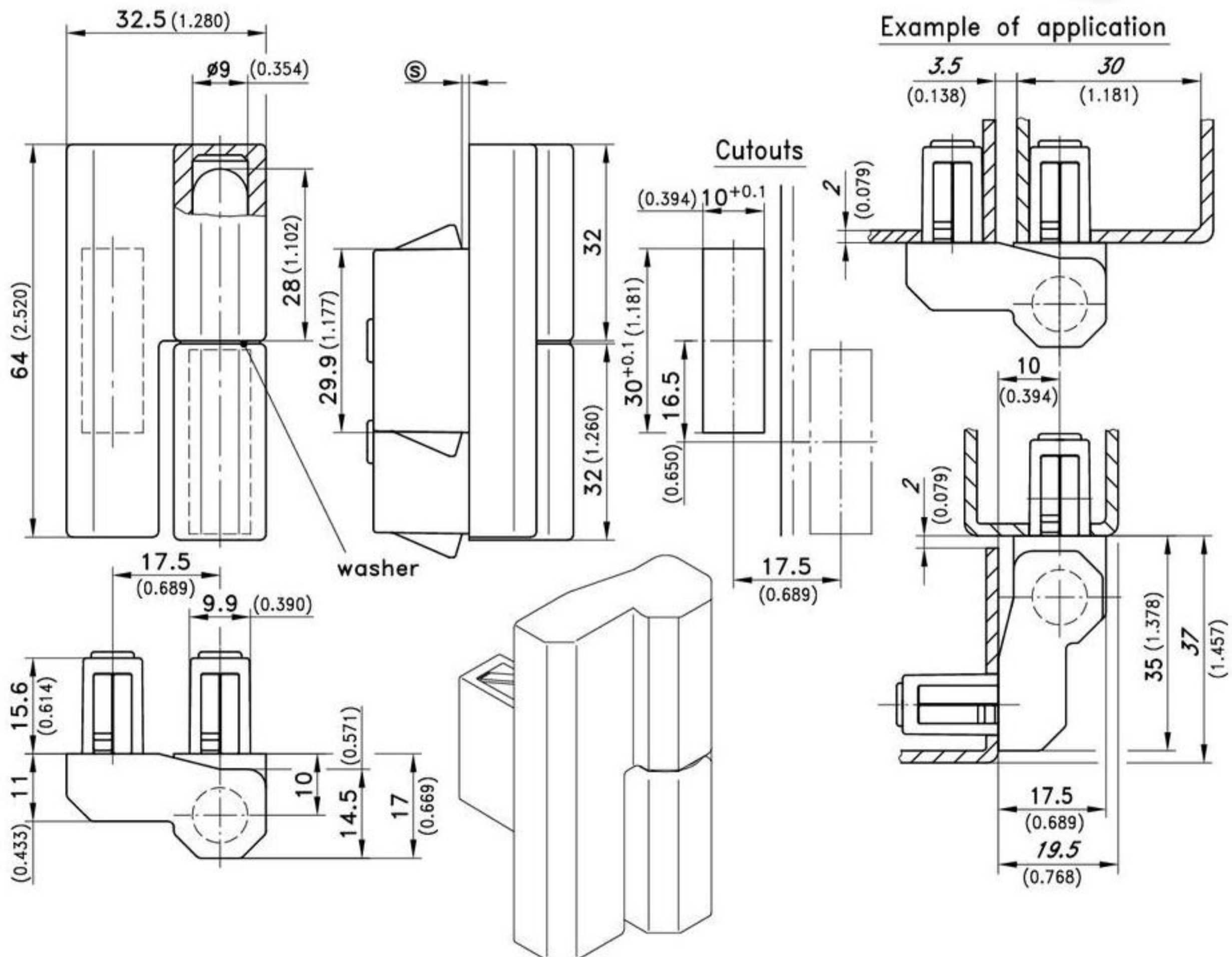


Appealing SNAP-LINE hinge for nested/ flush constructions.

- Door is lift-off.
- Although designed initially for flush constructions, this hinge can also be used for surface mounted doors (refer to RH example of application).
- The installation of the frame part and door part is achieved by a simple push into appropriate cutouts.
- **Attention:** In this case the opening angle is only about 130°. See page 01.48.

Material:

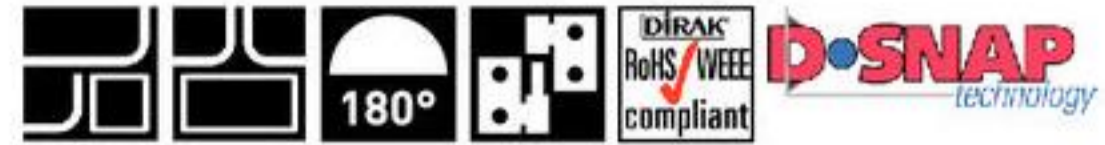
- **Hinge Parts:**
zinc die, matt black
- **Pin cast on:**
zinc die
- **For heavy duty! Solid pin, pressed in:**
stainless steel
- **Washer:**
Teflon, black
- **Snap wedges:**
sintered steel



	clamping range ©	Pin, cast on	Solid Pin, pressed in	see page
Hinge, RH (as drawn)	0,7 - 1,2	417-9005.00-00010	417-9011.00-00010	
	1,2 - 1,7	417-9005.00-00015	417-9011.00-00015	
	1,7 - 2,2	417-9005.00-00020	417-9011.00-00020	
	2,7 - 3,2	417-9005.00-00030	417-9011.00-00030	
Hinge, LH	0,7 - 1,2	417-9006.00-00010	417-9010.00-00010	
	1,2 - 1,7	417-9006.00-00015	417-9010.00-00015	
	1,7 - 2,2	417-9006.00-00020	417-9010.00-00020	
	2,7 - 3,2	417-9006.00-00030	417-9010.00-00030	
Other © - dimension on request!				
Cover for cutout 30x10		292-0401.00-03010	292-0401.00-03010	01.107
Reinforcement plate for thin-walled sheets and for higher loads:		292-0702.15-01030	292-0702.15-01030	01.108
Tool for uninstallation		292-0306.80-02530	292-0306.80-02530	01.109

4-345SL Hinge Pr01/04 SNAP-LINE 180°

Lift-off hinge for nested/ or surface mounted door

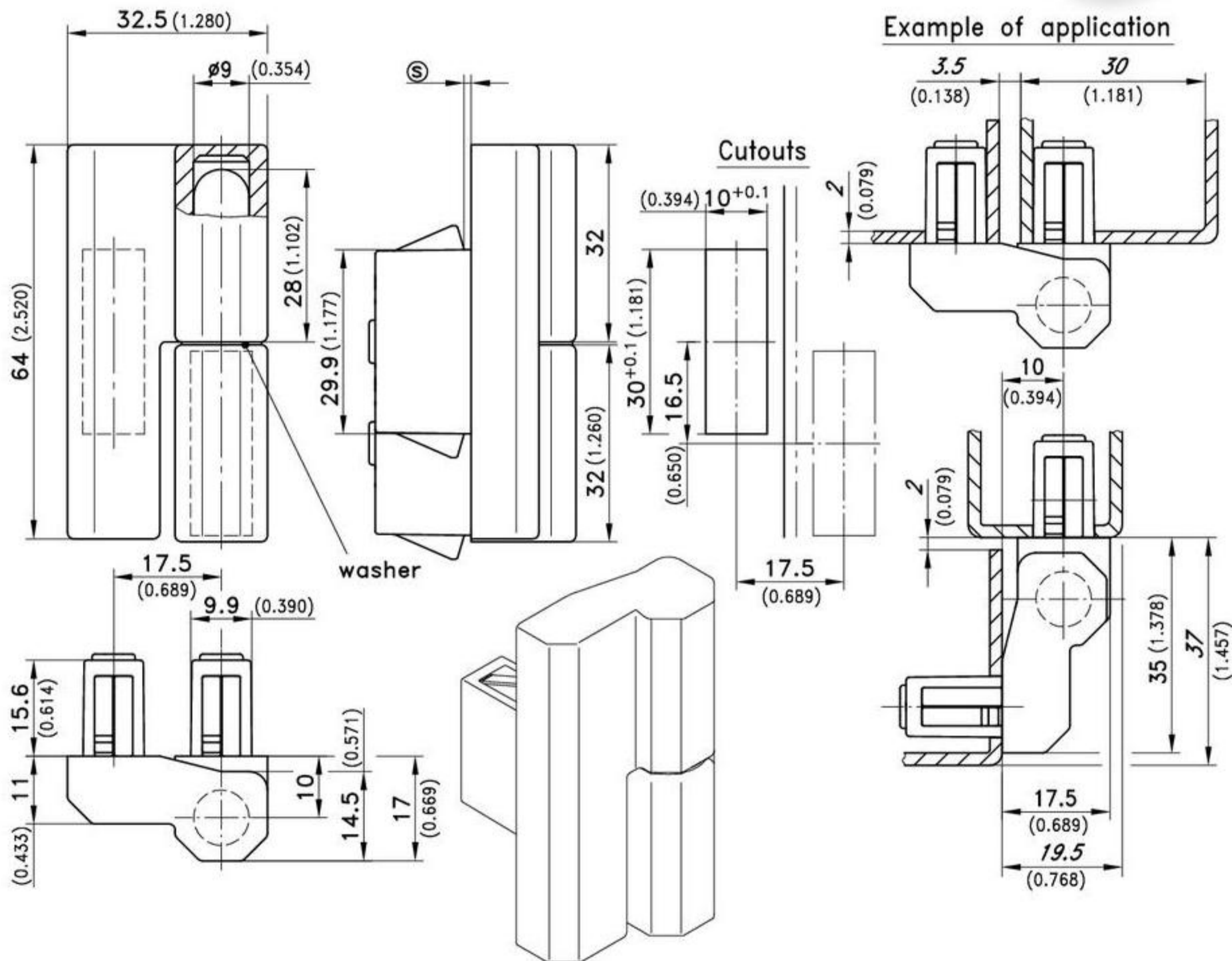


Appealing SNAP-LINE hinge for nested/ flush constructions.

- Door is lift-off.
- Although designed initially for flush constructions, this hinge can also be used for surface mounted doors (refer to RH example of application).
- The installation of the frame part and door part is achieved by a simple push into appropriate cutouts.
- Attention: In this case the opening angle is only about 130°. See page 01.48.

Material:

- **Hinge Parts:**
zinc die, matt black
- **Pin cast on:**
zinc die
- **For heavy duty! Solid pin, pressed in:**
stainless steel
- **Washer:**
Teflon, black
- **Snap wedges:**
sintered steel



	clamping range [Ⓢ]	Pin, cast on	Solid Pin, pressed in	see page
Hinge, RH (as drawn)	0,7 - 1,2	417-9005.00-00010	417-9011.00-00010	
	1,2 - 1,7	417-9005.00-00015	417-9011.00-00015	
	1,7 - 2,2	417-9005.00-00020	417-9011.00-00020	
	2,7 - 3,2	417-9005.00-00030	417-9011.00-00030	
Hinge, LH	0,7 - 1,2	417-9006.00-00010	417-9010.00-00010	
	1,2 - 1,7	417-9006.00-00015	417-9010.00-00015	
	1,7 - 2,2	417-9006.00-00020	417-9010.00-00020	
	2,7 - 3,2	417-9006.00-00030	417-9010.00-00030	
Other [Ⓢ] - dimension on request!				
Cover for cutout 30x10		292-0401.00-03010	292-0401.00-03010	01.107
Reinforcement plate for thin-walled sheets and for higher loads:		292-0702.15-01030	292-0702.15-01030	01.108
Tool for uninstallation		292-0306.80-02530	292-0306.80-02530	01.109