

4-350SL Hinge Pr01 SNAP-LINE 180°

3D, adjustable for nested door



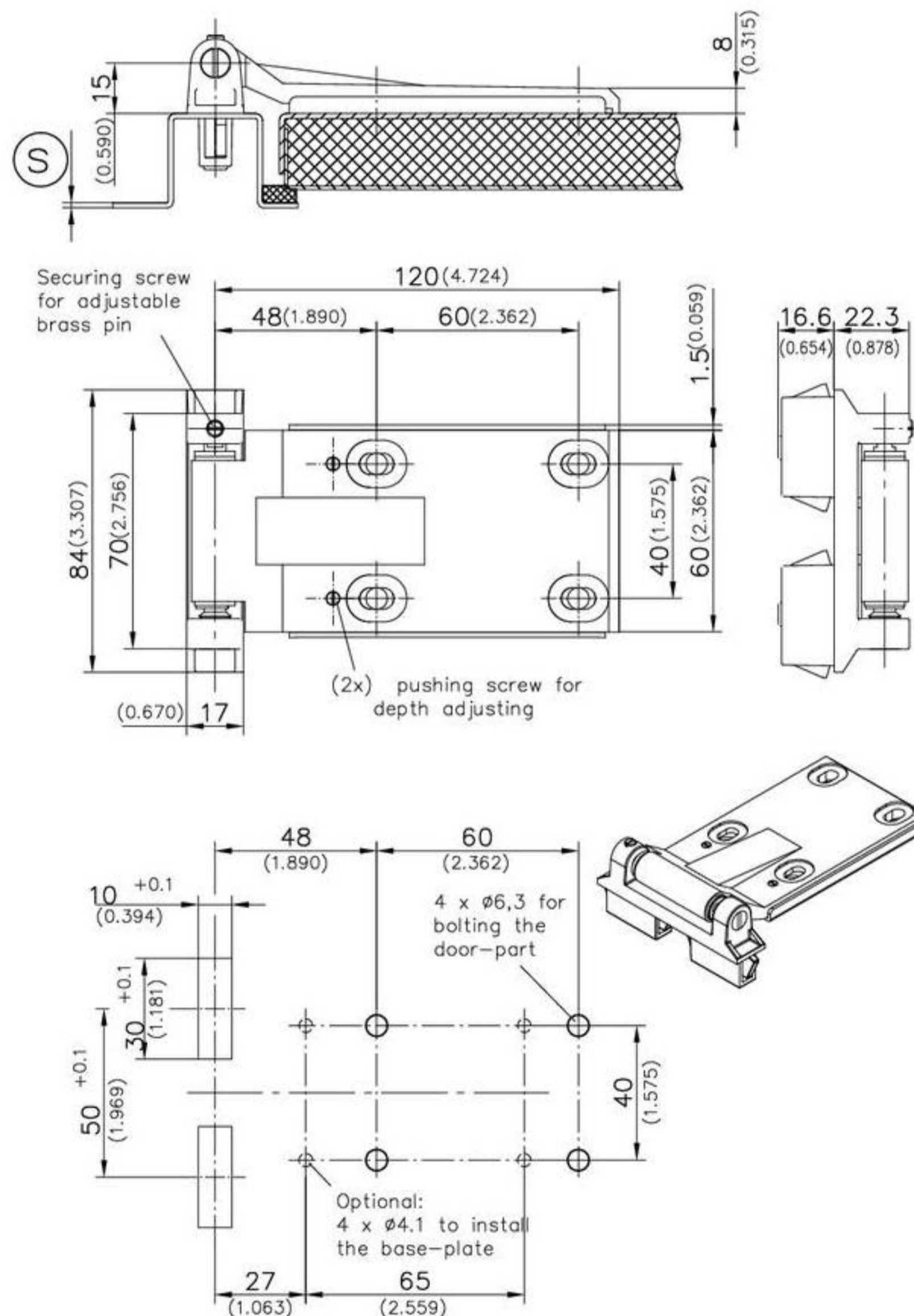
3D Hinge SNAP-LINE

- The installation of the frame part is effected by a simple push into appropriate cutouts.
- Further details and dimensions see page 06.34.

- **Snap wedges:**
sintered metal, plated
- **Bushings:**
PA
- **Studs, bearing washer and c-clips:**
stainless steel

Material:

- **Frame part and Door part:**
zinc die, black
- **Base-plate:**
steel, zinc plated
- **Pin:**
brass, natural, stainless steel on request



clamping range ©	RH	LH (as drawn)	see page
1,2 - 1,7	417-9002.00-00015	417-9003.00-00015	
1,7 - 2,2	417-9002.00-00020	417-9003.00-00020	
2,2 - 2,7	417-9002.00-00025	417-9003.00-00025	
2,7 - 3,2	417-9002.00-00030	417-9003.00-00030	
Cover for cutout 30x10	292-0401.00-03010	292-0401.00-03010	01.107
Reinforcement plate for thin-walled sheets and for higher loads:	292-0702.15-01030	292-0702.15-01030	01.108
Tool for uninstallation	292-0306.80-02530	292-0306.80-02530	01.109